



SPARE PARTS CATALOGUE



Vespa VX - VXL - SXL 150 4T 3V 2016-2019

Chassis prefix: MET0000HA, METM858E, MET0002HA,
Engine prefix: M440M,

Vespa VXL 150

EVPB000U03



Index

Finished products.....	4
Alphanumeric index.....	7
Engine.....	12
Table 01.02 - Engine, assembly.....	12
Table 01.05 - Crankcase.....	15
Table 01.06 - Crankshaft.....	16
Table 01.07 - Cylinder-piston-wrist pin unit.....	17
Table 01.10 - Head unit - Valve.....	18
Table 01.11 - Rocking levers support unit.....	19
Table 01.12 - Cylinder head cover.....	20
Table 01.13 - Driving pulley.....	21
Table 01.15 - Crankcase cover - Crankcase cooling.....	22
Table 01.18 - Oil pump.....	23
Table 01.20 - Stater - Electric starter.....	24
Table 01.21 - Flywheel magneto.....	25
Table 01.23 - Flywheel magneto cover - Oil filter.....	26
Table 01.25 - Reduction unit.....	27
Table 01.35 - Rear brake - Brake jaw.....	28
Table 01.39 - Carburettor, assembly - Union pipe.....	29
Table 01.40 - Carburetor's components.....	30
Table 01.42 - Silencer.....	31
Table 01.45 - Air filter.....	32
Frame - Plastic parts - Coachwork.....	33
Table 02.01 - Frame/bodywork.....	33
Table 02.25 - Stand/s.....	36
Table 02.26 - Front shield.....	37
Table 02.30 - Front glove-box - Knee-guard panel.....	41
Table 02.31 - Central cover - Footrests.....	50
Table 02.32 - Side cover - Spoiler.....	57
Table 02.33 - Wheel huosing - Mudguard.....	70
Table 02.34 - Helmet huosing - Undersaddle.....	74
Table 02.37 - Rear cover - Splash guard.....	75
Table 02.38 - Plates - Emblems.....	79
Table 02.39 - Saddle/seats.....	80
Table 02.45 - Driving mirror/s.....	83
Table 02.46 - Locks.....	84
Table 02.47 - Fuel tank.....	85
Handlebars/Steering.....	86
Table 03.01 - Handlebars coverages.....	86
Table 03.02 - Meter combination - Cruscotto.....	93
Table 03.06 - Handlebars - Master cil.....	94
Suspensions - Wheels.....	95
Table 04.01 - Swinging arm.....	95



Table 04.02 - Fork/steering tube - Steering bearing unit.....	96
Table 04.10 - Rear suspension - Shock absorber/s.....	100
Table 04.11 - Front wheel.....	101
Table 04.12 - Rear wheel.....	103
Braking system - Transmissions.....	105
Table 05.01 - Brakes pipes - Calipers.....	105
Table 05.03 - Transmissions.....	106
Electrical system.....	107
Table 06.01 - Selectors - Switches - Buttons.....	107
Table 06.03 - Front headlamps - Turn signal lamps.....	108
Table 06.04 - Rear headlamps - Turn signal lamps.....	109
Table 06.05 - Remote control switches - Battery - Horn.....	110
Table 06.06 - Voltage Regulators - Electronic Control Units (ecu) - H.T. Coil.....	111
Table 06.08 - Main cable harness.....	113



Finished products

Code	Validity
EVPBAINMX7	Colour: Orange 938/A[938/A] Model version: SXL Version[SXL]
EVPBBRNMX1	Colour: White[544] Model version: VX Version[VX]
EVPBBRNRA1	Colour: White[544] Model version: VX Version[VX]
EVPBBRNU03	Colour: White[544] Model version: VX Version[VX]
EVPBD0NIDF	Colour: Azzurro provenza[296/A] Model version: VXL Version[VXL]
EVPBD0NIDG	Colour: Azzurro provenza[296/A] Model version: VXL Version[VXL]
EVPBD0NMX5	Colour: Azzurro provenza[296/A] Model version: VXL Version[VXL]
EVPBD0NMX6	Colour: Azzurro provenza[296/A] Model version: VXL Version[VXL]
EVPBD0NU07	Colour: Azzurro provenza[296/A] Model version: VXL Version[VXL]
EVPBD0NU08	Colour: Azzurro provenza[296/A] Model version: VXL Version[VXL]
EVPBGPNIIDF	Colour: Yellow lime[928/A] Model version: VXL Version[VXL]
EVPBGPNMX1	Colour: Yellow lime[928/A] Model version: VX Version[VX]
EVPBGPNMX4	Colour: Yellow lime[928/A] Model version: VXL Version[VXL]
EVPBGPNMX5	Colour: Yellow lime[928/A] Model version: VXL Version[VXL]
EVPBGPNRA1	Colour: Yellow lime[928/A] Model version: VX Version[VX]
EVPBGPNU03	Colour: Yellow lime[928/A] Model version: VX Version[VX]
EVPBGPNU07	Colour: Yellow lime[928/A] Model version: VXL Version[VXL]
EVPBGPNU09	Colour: Yellow lime[928/A] Model version: VXL Version[VXL]
EVPBHLNIDF	Colour: Grey[700/C] Model version: VXL Version[VXL]
EVPBHLNMX4	Colour: Grey[700/C] Model version: VXL Version[VXL]
EVPBHLNMX5	Colour: Grey[700/C] Model version: VXL Version[VXL]
EVPBHLNU07	Colour: Grey[700/C] Model version: VXL Version[VXL]
EVPBHLNU09	Colour: Grey[700/C]



Code	Validity
	Model version: VXL Version[VXL]
EVPBLCNMX7	Colour: Giallo 980/A[980/A] Model version: SXL Version[SXL]
EVPBNLNIDF	Colour: BLACK[85/B] Model version: VXL Version[VXL]
EVPBNLNMX1	Colour: BLACK[85/B] Model version: VX Version[VX]
EVPBNLNMX4	Colour: BLACK[85/B] Model version: VXL Version[VXL]
EVPBNLNMX5	Colour: BLACK[85/B] Model version: VXL Version[VXL]
EVPBNLNMX7	Colour: BLACK[85/B] Model version: SXL Version[SXL]
EVPBNLNRA1	Colour: BLACK[85/B] Model version: VX Version[VX]
EVPBNLNU03	Colour: BLACK[85/B] Model version: VX Version[VX]
EVPBNLNU07	Colour: BLACK[85/B] Model version: VXL Version[VXL]
EVPBNLNU09	Colour: BLACK[85/B] Model version: VXL Version[VXL]
EVPBQ4NIDF	Colour: White Tech 505/A[505/A] Model version: VXL Version[VXL]
EVPBQ4NIDG	Colour: White Tech 505/A[505/A] Model version: VXL Version[VXL]
EVPBQ4NMX4	Colour: White Tech 505/A[505/A] Model version: VXL Version[VXL]
EVPBQ4NMX5	Colour: White Tech 505/A[505/A] Model version: VXL Version[VXL]
EVPBQ4NMX7	Colour: White Tech 505/A[505/A] Model version: SXL Version[SXL]
EVPBQ4NU07	Colour: White Tech 505/A[505/A] Model version: VXL Version[VXL]
EVPBQ4NU09	Colour: White Tech 505/A[505/A] Model version: VXL Version[VXL]
EVPBQ8NIDG	Colour: Beige[514/A] Model version: VXL Version[VXL]
EVPBQ8NMX6	Colour: Beige[514/A] Model version: VXL Version[VXL]
EVPBQ8NU08	Colour: Beige[514/A] Model version: VXL Version[VXL]
EVPBR71MX1	Colour: DRAGON RED[894] Model version: VX Version[VX]
EVPBR71RA1	Colour: DRAGON RED[894] Model version: VX Version[VX]
EVPBR71U03	Colour: DRAGON RED[894] Model version: VX Version[VX]
EVPBR7NIDF	Colour: DRAGON RED[894]



Code	Validity
	Model version: VXL Version[VXL]
EVPBR7NMX4	Colour: DRAGON RED[894] Model version: VXL Version[VXL]
EVPBR7NMX5	Colour: DRAGON RED[894] Model version: VXL Version[VXL]
EVPBR7NU07	Colour: DRAGON RED[894] Model version: VXL Version[VXL]
EVPBR7NU09	Colour: DRAGON RED[894] Model version: VXL Version[VXL]
EVPBS9NMX7	Colour: Rosso 801/B[801/B] Model version: SXL Version[SXL]
EVPBT5NMX4	Colour: Blue 277/A[277/A] Model version: VXL Version[VXL]
EVPBT5NMX7	Colour: Blue 277/A[277/A] Model version: SXL Version[SXL]



Code	No. table	Pos.	Code	No. table	Pos.	Code	No. table	Pos.
000267	01.21	11	174088	04.02	12	1A008699	01.13	2
002440	02.25	6	174874	04.02	9	1A009397	01.18	4
002440	04.01	6	177408	04.02	44	1A009497	01.21	3
002440	04.10	5	177414	04.02	47	1A009501	01.21	2
003056	01.45	18	177436	04.02	20	1A010048	01.13	2
0037514	04.02	42	177442	04.02	25	1A0107805	06.06	1
006416	01.15	16	177443	04.02	26	1A012973R	06.06	1
006422	04.02	46	177445	04.02	45	1A015231	01.20	1
006635	04.02	29	177451	04.02	2	1A016315R	06.06	1
006647	01.25	2	177494	04.02	21	1B000042	02.33	6
006731	04.02	4	177521	04.02	41	1B000239	02.32	16
006965	02.32	8	177610	04.02	27	1B000570	02.46	7
006965	02.37	5	178150	04.10	6	1B000888	02.32	6
006965	06.03	6	178790	04.01	9	1B001409	02.37	11
006965	06.04	11	191189	02.25	12	1B002066	02.26	7
006975	01.23	6	192598	02.33	7	1B002066000BR	02.26	7
008372	06.04	14	198513	04.02	3	1B002066000GP	02.26	7
008372	06.04	8	1A000612	01.15	12	1B002066000R7	02.26	7
008432	02.26	11	1A000745	01.10	17	1B002112000C1	02.39	1
008432	02.26	5	1A001012	01.25	10	1B002112000C2	02.39	1
008457	03.01	4	1A001015	01.25	12	1B002112000C3	02.39	1
008457	06.03	11	1A001073	01.18	2	1B002204	02.33	1
0111094	04.02	43	1A001073	01.21	8	1B002222	02.26	10
012533	01.45	17	1A001113	01.21	4	1B002224	03.06	1
012535	04.02	13	1A001256	01.05	6	1B002266	02.33	5
012543	03.06	4	1A001278	01.05	20	1B002457	03.01	1
013763	02.37	8	1A001337	01.05	7	1B002457000BR	03.01	1
013880	01.23	21	1A001443R	01.20	3	1B002457000GP	03.01	1
013880	02.47	12	1A001494	01.15	19	1B002457000HL	03.01	1
015330	03.06	5	1A001745	01.13	3	1B002457000NL	03.01	1
015727	02.33	8	1A001746	01.13	4	1B002457000Q8	03.01	1
015792	04.11	2	1A002013	01.23	1	1B002509	02.26	7
015900	02.33	3	1A002446	01.13	6	1B002509000AI	02.26	7
016404	01.20	9	1A002691	01.20	6	1B002515	04.02	36
016406	02.32	18	1A003060	01.15	17	1B002528	02.37	1
016406	02.47	11	1A003060	01.21	15	1B002602	02.26	10
016406	02.47	7	1A003063	01.20	2	1B002605000C4	02.39	1
016408	02.25	17	1A003063	01.35	6	1B002607	02.46	1
016408	04.02	18	1A003064	01.45	16	1B002632	04.02	36
016408	04.10	2	1A003065	01.15	21	1B004449	03.01	1
016604	05.01	4	1A003068	01.05	21	1B004449000AI	03.01	1
018591	06.04	13	1A003109	06.03	5	1B004804	03.01	2
018639	01.12	2	1A003846	01.13	1	1B004804000GP	03.01	2
018639	01.23	18	1A003896	01.13	5	1B004804000Q8	03.01	2
018639	01.39	4	1A003898	01.13	2	1B004805	03.01	2
018639	01.39	7	1A004153	01.10	5	1B006291	02.46	3
018639	02.47	13	1A004654	01.25	6	1C000075	03.06	7
018639	06.06	2	1A005055	01.13	7	1C000093	03.06	6
018644	01.20	8	1A005056	01.13	8	1C000111	02.25	1
020105	02.32	9	1A005057	01.13	9	1C000383	04.02	22
020105	02.37	6	1A005132	01.15	18	1C000523	04.02	39
020108	04.02	17	1A005179	01.23	9	1C000523	04.12	5
021108	04.10	7	1A005265	01.45	14	1C000655R	01.35	1
021210	04.02	11	1A006307	01.15	14	1C000896	03.06	17
031090	02.32	17	1A006346	01.39	3	1C000907	04.02	24
031120	04.02	16	1A006503	01.25	11	1C001471	04.11	1
078307	02.32	19	1A006545	01.12	1	1C001513	04.12	1
119219	04.02	5	1A006875	01.40	15	1C001642	05.03	2
122781	04.01	8	1A006988	01.13	11	1C001658	01.35	5
127927	05.01	7	1A007189	01.40	14	1C001708	02.33	4
145298	06.05	4	1A007480	01.42	1	1C001746	05.01	6
145298	06.08	6	1A007584	01.45	1	1C001871	02.25	15
149104	04.02	10	1A007618	01.25	8	1C002000	02.25	9
157716	02.26	8	1A007651	01.40	2	1C002051	04.02	28
157716	02.31	13	1A007652	01.40	4	1C002142	04.02	19
157716	02.32	5	1A008072	01.15	20	1C002402	02.39	9
174085	04.02	8	1A008397	01.11	15	1C002463	04.11	1



Code	No. table	Pos.	Code	No. table	Pos.	Code	No. table	Pos.
1C002854R	04.10	1	2920225	06.03	3	584332	06.04	6
1C002856R	04.10	1	292507	06.08	2	597043	02.25	3
1C003015	04.02	7	294723	06.01	4	597150	05.01	3
1C003277	05.03	1	294754	06.08	4	597679	04.11	4
1C003308R	05.01	1	294877	06.01	1	597679	04.12	2
1C003310	04.11	1	295528	02.30	12	598369	03.06	11
1C003312	04.12	1	296456	02.39	3	599009	02.25	16
1C004182	04.12	1	296743	02.39	5	5A000405	04.11	5
1D000032R	01.20	1	297275	02.30	5	601556	04.02	15
1D000074	06.08	9	297498	02.30	19	620556	02.32	12
1D000152	01.20	7	297498	02.30	21	6221146	02.01	3
1D000185	06.01	2	297498	02.30	23	622187	02.26	2
1D000187	06.06	3	297498	02.30	7	622188	02.26	1
1D000517	06.03	4	297498	02.31	8	623336	02.32	21
1D000540	06.04	1	297498	02.32	3	623420	02.37	7
1D001180	03.02	1	297498	02.37	9	639335	06.04	9
1D001275	06.06	5	297498	06.01	7	640762	03.06	20
1D001275	06.08	7	298594	02.46	4	640762	06.01	5
1D001812	06.03	18	298604	02.01	2	640879	06.08	10
1D002173	06.08	1	298729	02.39	6	641609	06.01	3
1D002378	03.02	1	298729	05.03	8	641859	06.01	6
1D002379	03.02	1	298731	02.46	9	642418	06.03	1
1D002395	03.02	2	298838	02.46	5	642420	06.04	1
1D002421	06.05	1	299557	02.32	14	642424	06.05	1
1D002595	06.08	1	299558	02.32	13	642528	01.21	7
1F000110	01.11	18	299559	02.32	15	642537	01.23	15
1F000110	01.23	10	299964	02.26	4	642905	02.32	7
231215	06.03	16	299965	02.26	3	642906	02.37	4
231215	06.03	2	2H000609000C3	02.39	1	643114	01.23	13
241936	02.33	12	2H001222	02.38	6	643133	02.46	6
241936	06.06	8	2H001223	02.38	7	643149	01.12	6
248419	05.03	16	2H001225	02.38	4	643149	01.23	16
252420	02.30	10	2H003349	02.38	5	643156	01.23	23
253937	02.46	2	433987	01.15	15	643200	01.21	2
254485	01.45	19	434716	01.10	4	643298	02.47	4
254485	02.30	14	434947	02.25	11	643323	06.04	2
254485	02.30	9	436438	01.10	13	643324	06.03	7
254485	02.31	6	436947	01.42	8	643325	06.03	9
254485	02.37	17	479132	01.45	10	643326	06.04	3
254485	02.37	3	483711	01.10	12	643327	06.04	5
257134	05.03	7	485703	01.05	18	643367	01.12	5
257614	02.30	13	486081	01.05	3	643419	01.21	3
257617	02.30	11	560045	04.01	7	647384	01.35	2
258146	01.45	11	561433	04.02	40	650075	04.02	33
258146	01.45	3	564134	01.35	4	650693	04.02	38
258146	03.01	5	5641365	01.35	3	651307	04.11	5
259348	02.30	8	564645	05.03	3	651308	04.12	3
259349	02.31	12	573057	02.30	6	654265	06.03	20
259349	02.31	2	573960	02.46	8	654271	06.03	13
259349	02.37	19	575249	02.30	3	654294	02.30	20
261319	04.01	4	575249	02.33	10	65429400AI	02.30	20
265249	03.06	18	575249	02.33	9	65429400NL	02.30	20
265451	05.01	8	575249	04.02	35	654295	02.30	22
267038	04.10	4	575819	02.30	16	65429500AI	02.30	22
267917	03.06	3	576017	02.37	18	65429500NL	02.30	22
267958	02.26	9	576464	02.38	1	654301	06.03	15
268158	04.10	3	577492	02.39	2	654876	06.03	19
268596	02.32	22	58243R	06.05	7	654890	06.03	14
269755	01.05	19	58250R	06.06	6	655554	03.06	2
270793	03.01	6	58279R	01.21	1	656021	02.47	3
270793	03.02	3	582885	02.25	13	656022	02.47	2
273754	02.25	4	58290R	01.39	6	656219	02.38	2
285536	01.18	6	58293R	06.05	5	656220	02.38	3
287959	01.06	2	58297R	01.23	14	657125	02.31	10
290860	06.08	3	584332	06.03	10	665552	04.12	3
292022	06.04	12	584332	06.03	8	665701	04.02	48
2920225	06.03	17	584332	06.04	4	665978	02.25	10



Code	No. table	Pos.	Code	No. table	Pos.	Code	No. table	Pos.
666484	02.25	2	B014063	01.23	19	B017426	01.11	4
666758	03.06	12	B014066	01.23	20	B017431	01.11	3
666803	04.01	1	B014188	01.15	10	B017431	01.11	6
666847	04.01	10	B014213	01.23	12	B017438	01.10	11
666895	02.25	14	B014214	01.23	11	B017445	01.15	9
666991	01.05	13	B014237	01.11	24	B017446	01.05	10
667566	02.25	7	B014404	01.42	2	B017456	01.10	9
667567	02.25	8	B014585	01.21	9	B017481	01.15	5
667823	05.03	14	B014684	01.10	6	B017548	01.07	4
667824	05.03	12	B014705	01.10	14	B017549	01.07	5
668001	04.02	31	B014706	01.10	8	B017550	01.07	6
668068	04.12	4	B014732	01.12	4	B017597	01.15	6
668300	04.01	2	B014750	01.23	4	B017599	01.13	10
668302	04.01	5	B014752	01.23	8	B017713	05.03	11
668585	02.25	5	B014755	01.05	2	B018020	01.18	5
668686	01.05	5	B014760	01.11	9	B018038	01.15	8
668780	06.08	12	B014830	01.11	21	B018139	01.05	9
669260	05.03	6	B014831	01.11	23	B018140	01.21	13
672661	01.15	22	B014993	01.45	6	B018262	01.45	9
67266201	02.01	1	B014994	01.45	5	B018304	01.15	13
672681	02.31	9	B015147	01.45	7	B018306	01.13	12
672693	02.34	1	B015178	01.45	4	B018308	01.13	13
673260	02.31	4	B015288	01.10	10	B018421	01.15	4
673261	02.31	5	B015320	01.42	9	B018421	01.23	7
673563	02.39	10	B015321	01.42	7	B018442	01.39	8
673853	06.04	10	B015323	01.45	20	B018448	01.18	1
674179	02.39	7	B015334	01.10	3	B018451	01.45	2
674306	02.39	11	B015335	01.10	2	B018533	01.12	3
674311	02.39	4	B015483	01.11	16	B018718	01.05	8
674594	02.47	8	B015543	01.39	2	B018718	01.11	8
674648	06.06	7	B015544	01.05	17	B018853	01.39	5
675385	06.05	2	B015591	01.05	12	B018854	01.10	16
675396	02.37	10	B015592	01.05	4	B018946	01.11	10
676200	02.47	5	B015592	01.15	2	B019040	01.11	7
709037	04.01	3	B015598	01.18	7	B019107	01.05	15
709047	02.33	11	B016386	01.40	10	B019108	01.25	4
709047	04.02	14	B016387	01.40	9	B019254	01.45	8
709047	04.11	3	B016388	01.40	6	CM001209	02.47	15
709047	05.01	5	B016389	01.40	7	CM001901	02.47	14
709519	01.15	23	B016390	01.40	8	CM002903	01.25	7
709674	06.08	11	B016393	01.40	1	CM002904	01.45	15
827831	01.45	13	B016394	01.40	5	CM002910	01.45	12
830061	05.03	15	B016426	02.39	8	CM002916	01.45	21
830212	01.15	7	B016426	02.47	6	CM006903	05.03	9
830269	01.11	22	B016426	05.03	13	CM006905	06.08	5
83033R	01.20	4	B016426	06.05	6	CM006908	02.47	19
83040R	01.11	13	B016552	01.23	17	CM006913	05.03	5
83041R	01.11	14	B016617	01.21	6	CM013202	02.47	18
83044R	01.25	3	B016620	01.23	5	CM013203	05.03	10
83048R	01.05	16	B016625	05.03	4	CM013203	06.05	3
841782	01.42	5	B016627	01.42	6	CM017403	02.26	6
843307	01.10	7	B016777	06.05	8	CM017405	06.04	7
844927	01.42	4	B016777	06.06	4	CM017406	02.31	3
847928	01.11	20	B016777	06.08	8	CM017406	06.03	12
873433	03.06	19	B016939	01.10	15	CM017409	03.01	3
879474	01.07	3	B016939	01.23	2	CM017410	02.33	2
879888	02.47	9	B016953	01.25	5	CM017410	02.37	12
880805	01.21	10	B016954	01.05	11	CM083803	03.06	16
880841	01.07	2	B016955	01.05	14	CM083804	03.06	10
975805	03.06	13	B017002	01.18	3	CM090402	03.06	9
AP8152267	01.42	3	B017080	01.23	3	CM166404	01.40	11
B013524	01.15	3	B017113	01.11	11	CM166501	01.40	12
B013526	01.21	12	B017143	01.23	22	CM166602	01.40	13
B013594	01.25	9	B017165	01.11	19	CM166702	01.40	3
B013653	01.21	5	B017323	01.11	2	CM166930	01.02	1
B013685	01.15	11	B017323	01.11	5	CM166931	01.02	1
B013851	01.20	5	B017425	01.11	1	CM167022	01.02	1

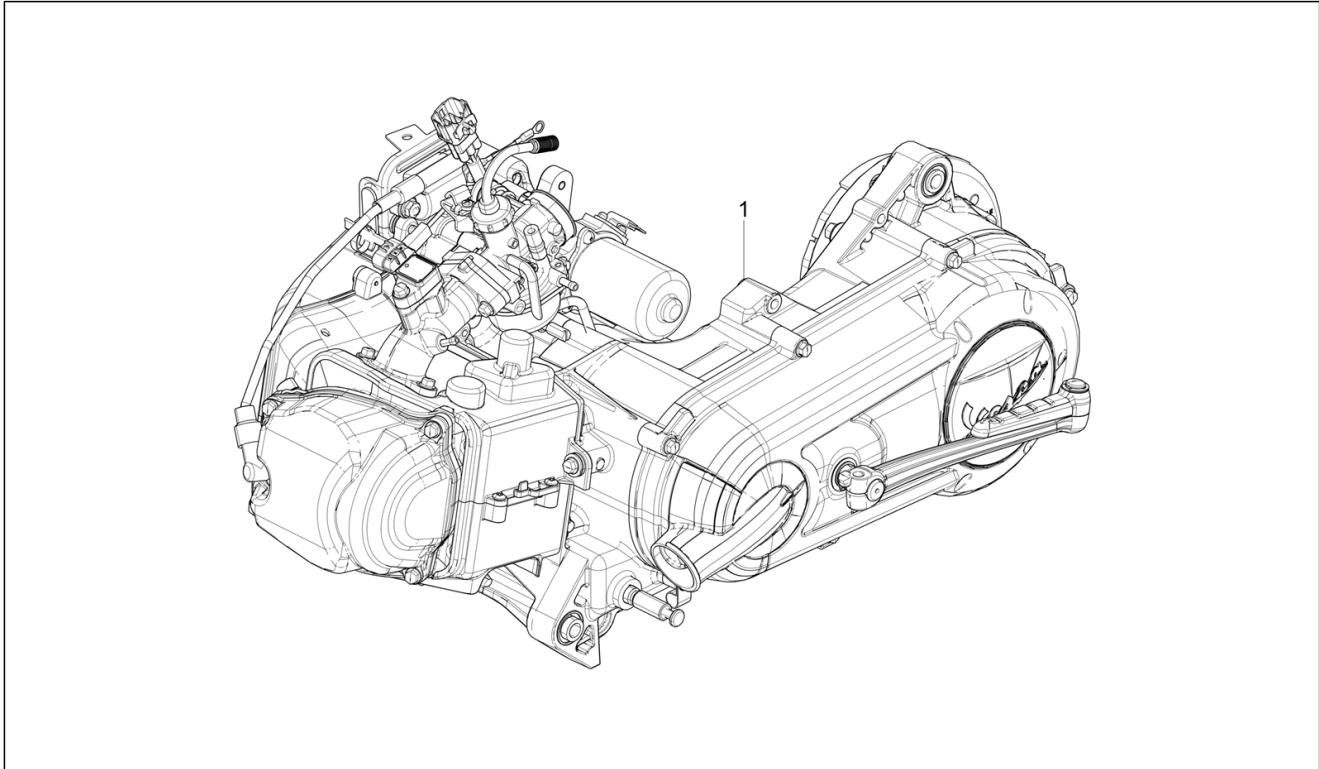


Code	No. table	Pos.	Code	No. table	Pos.	Code	No. table	Pos.
CM178304	02.47	17	S67268000Q4	02.32	1	SP1B002066000T5	02.26	7
CM178603	02.30	17	S67268000Q8	02.32	1	SP1B002204000AI	02.33	1
CM178603	02.32	4	S67268000R7	02.32	1	SP1B002204000BR	02.33	1
CM178604	02.37	14	S67268000T5	02.32	1	SP1B002204000D02	02.33	1
CM178608	02.37	13	S6726850000Q8	02.32	11	SP1B002204000GP	02.33	1
CM179302	02.30	2	S67268500AI	02.32	11	SP1B002204000HL	02.33	1
CM179302	02.37	16	S67268500BR	02.32	11	SP1B002204000LC	02.33	1
CM179302	02.37	2	S67268500GP	02.32	11	SP1B002204000NL	02.33	1
CM179303	02.31	7	S67268500HL	02.32	11	SP1B002204000Q4	02.33	1
CM179303	02.37	15	S67268500NL	02.32	11	SP1B002204000R7	02.33	1
CM182501	02.45	2	S67268500Q4	02.32	11	SP1B002204000T5	02.33	1
CM182502	02.45	1	S67268500R7	02.32	11	SP1B002457000D02	03.01	1
CM182504	02.45	1	S67268500T5	02.32	11	SP1B002457000Q4	03.01	1
CM259202	02.32	20	S6726860000Q8	02.32	10	SP1B002457000T5	03.01	1
CM259202	04.02	34	S67268600AI	02.32	10	SP1B002509000LC	02.26	7
CM259204	02.47	10	S67268600BR	02.32	10	SP1B002509000Q4	02.26	7
CM263302	03.06	15	S67268600GP	02.32	10	SP1B002509000S9	02.26	7
CM278601	01.07	8	S67268600HL	02.32	10	SP1B002515000BR	04.02	36
CM278602	01.07	8	S67268600NL	02.32	10	SP1B002515000D02	04.02	36
CM278603	01.07	8	S67268600Q4	02.32	10	SP1B002515000GP	04.02	36
CM283002	01.39	1	S67268600R7	02.32	10	SP1B002515000HL	04.02	36
CM283502	02.47	16	S67268600T5	02.32	10	SP1B002515000NL	04.02	36
CM301501	02.45	2	S67434600BR	02.30	1	SP1B002515000Q4	04.02	36
CM301502	02.45	1	S67434600GP	02.30	1	SP1B002515000T5	04.02	36
R1B000441	02.30	15	S67434600HL	02.30	1	SP1B002528000AI	02.37	1
R1B005791	02.31	1	S67434600NL	02.30	1	SP1B002528000BR	02.37	1
R1B006305	02.30	1	S67434600Q4	02.30	1	SP1B002528000D02	02.37	1
R672679	02.32	2	S67434600Q8	02.30	1	SP1B002528000GP	02.37	1
R672680	02.32	1	S67434600R7	02.30	1	SP1B002528000HL	02.37	1
R672685	02.32	11	S67521700AI	02.31	11	SP1B002528000LC	02.37	1
R672686	02.32	10	S67521700BR	02.31	11	SP1B002528000NL	02.37	1
R674346	02.30	1	S67521700GP	02.31	11	SP1B002528000Q4	02.37	1
R675217	02.31	11	S67521700HL	02.31	11	SP1B002528000R7	02.37	1
R675518	02.30	4	S67521700NL	02.31	11	SP1B002528000T5	02.37	1
S00000441AI	02.30	15	S67521700Q4	02.31	11	SP1B004449000LC	03.01	1
S00000441NL	02.30	15	S67521700Q8	02.31	11	SP1B004449000NL	03.01	1
S00044100T5	02.30	15	S67521700R7	02.31	11	SP1B004449000Q4	03.01	1
S00206600HL	02.26	7	S67521700T5	02.31	11	SP1B004449000T5	03.01	1
S00206600NL	02.26	7	S67551800BR	02.30	4	SP1B004804000BR	03.01	2
S00245700R7	03.01	1	S67551800GP	02.30	4	SP1B004804000D02	03.01	2
S00250900NL	02.26	7	S67551800HL	02.30	4	SP1B004804000HL	03.01	2
S00250900T5	02.26	7	S67551800NL	02.30	4	SP1B004804000NL	03.01	2
S1672697	02.47	1	S67551800Q4	02.30	4	SP1B004804000Q4	03.01	2
S65429400T5	02.30	20	S67551800Q8	02.30	4	SP1B004804000R7	03.01	2
S65429500T5	02.30	22	S67551800R7	02.30	4	SP1B004804000T5	03.01	2
S66730600R7	04.02	36	SB0020660000Q8	02.26	7	SP1B004805000AI	03.01	2
S67266200AI	02.01	1	SB0022040000Q8	02.33	1	SP1B004805000LC	03.01	2
S67266200BR	02.01	1	SB0025150000Q8	04.02	36	SP1B004805000NL	03.01	2
S67266200GP	02.01	1	SB0025280000Q8	02.37	1	SP1B004805000Q4	03.01	2
S67266200HL	02.01	1	SP1A000453	01.25	1	SP1B004805000T5	03.01	2
S67266200NL	02.01	1	SP1A001413	01.05	1	SP1B005791000AI	02.31	1
S67266200Q8	02.01	1	SP1A002993	01.15	1	SP1B005791000BR	02.31	1
S67266200R7	02.01	1	SP1A005421	01.11	17	SP1B005791000D02	02.31	1
S67267900AI	02.32	2	SP1A006081	01.06	1	SP1B005791000GP	02.31	1
S67267900BR	02.32	2	SP1A006405	01.11	17	SP1B005791000HL	02.31	1
S67267900GP	02.32	2	SP1A007329R	01.10	1	SP1B005791000LC	02.31	1
S67267900HL	02.32	2	SP1B000438000AI	02.30	18	SP1B005791000NL	02.31	1
S67267900NL	02.32	2	SP1B000438000LC	02.30	18	SP1B005791000Q4	02.31	1
S67267900Q4	02.32	2	SP1B000438000Q4	02.30	18	SP1B005791000Q8	02.31	1
S67267900Q8	02.32	2	SP1B000438000Q8	02.30	18	SP1B005791000R7	02.31	1
S67267900R7	02.32	2	SP1B000438000S9	02.30	18	SP1B005791000T5	02.31	1
S67267900T5	02.32	2	SP1B000438000T5	02.30	18	SP1B005897	03.06	1
S67268000AI	02.32	1	SP1B000441000LC	02.30	15	SP1B006305000D02	02.30	1
S67268000BR	02.32	1	SP1B000441000Q4	02.30	15	SP1B006305000Q4	02.30	1
S67268000GP	02.32	1	SP1B000441000S9	02.30	15	SP1B006305000Q8	02.30	1
S67268000HL	02.32	1	SP1B002066000D02	02.26	7	SP1C000955	05.01	2
S67268000NL	02.32	1	SP1B002066000Q4	02.26	7	SP1C00166040	04.02	1



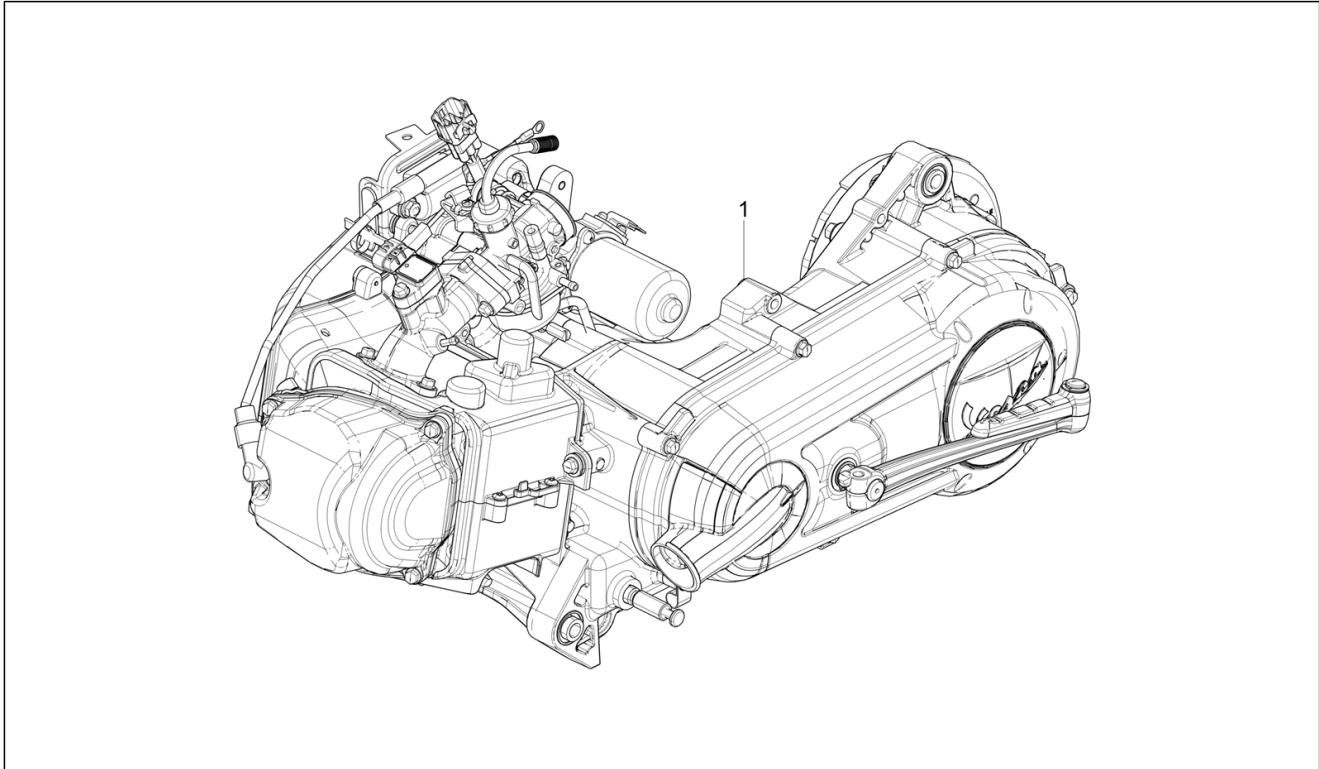
Code	No. table	Pos.
SP1L001335C	01.07	1
SP1L001335C	01.07	7
SP65429400LC	02.30	20
SP65429400Q4	02.30	20
SP65429400S9	02.30	20
SP65429500LC	02.30	22
SP65429500Q4	02.30	22
SP65429500S9	02.30	22
SP67266200D02	02.01	1
SP67266200LC	02.01	1
SP67266200Q4	02.01	1
SP67266200S9	02.01	1
SP67266200T5	02.01	1
SP67267900D02	02.32	2
SP67267900LC	02.32	2
SP67268000D02	02.32	1
SP67268000LC	02.32	1
SP67268500000D02	02.32	11
SP67268500000LC	02.32	10
SP67268500000LC	02.32	11
SP67268600000D02	02.32	10
SP67434600D02	02.30	1
SP67434600T5	02.30	1
SP67521700D02	02.31	11
SP67521700LC	02.31	11
SP67551800D02	02.30	4
SP67551800T5	02.30	4
SPB015309	01.11	12
SPB016403	01.21	14

Group	Engine
Code	01.02
Description	Engine, assembly
Service	1



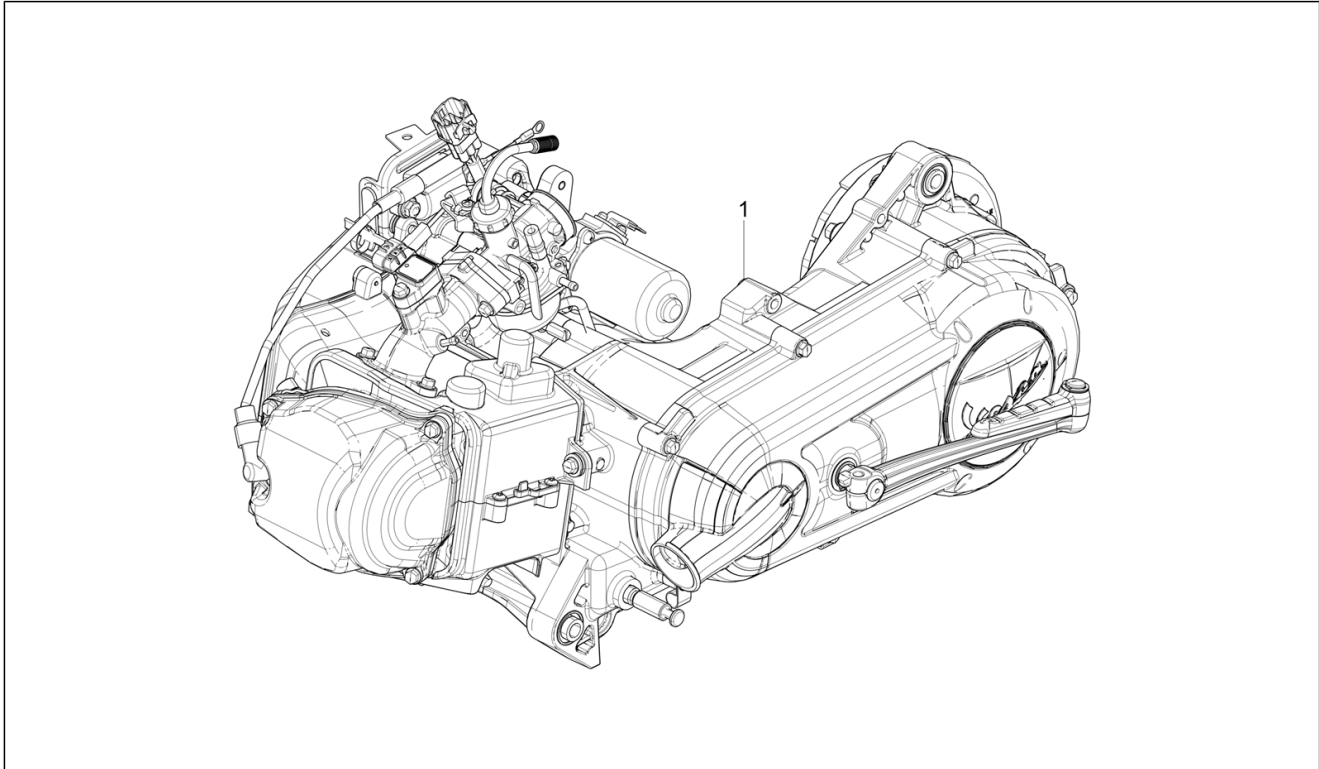
Pos.	Code	Description	Qty	Variants
1	CM166930	Engine 150 4T/3V BSIV H.E.	1	Model version: SXL Version[SXL] Colour: Rosso 801/B[801/B] Model version: SXL Version[SXL] Colour: BLACK[85/B] Model version: SXL Version[SXL] Colour: White Tech 505/A[505/A] Model version: SXL Version[SXL] Colour: Blue 277/A[277/A] Model version: SXL Version[SXL] Colour: Orange 938/A[938/A] Model version: SXL Version[SXL] Colour: Giallo 980/A[980/A] Model version: SXL Version[SXL]
1	CM166931	MOT. 150 4T/3V BSIV H.E. VESPA VXL	1	Model version: VXL Version[VXL] Colour: Grey[700/C] Model version: VXL Version[VXL] Colour: Yellow lime[928/A] Model version: VXL Version[VXL] Colour: Azzurro provenza[296/A] Model version: VXL Version[VXL] Colour: Azzurro provenza[296/A] Model version: VXL Version[VXL] Colour: DRAGON RED[894] Model version: VXL Version[VXL] Colour: Yellow lime[928/A] Model version: VXL Version[VXL] Colour: White Tech 505/A[505/A] Model version: VXL Version[VXL] Colour: Beige[514/A] Model version: VXL Version[VXL] Colour: BLACK[85/B] Model version: VXL Version[VXL] Colour: BLACK[85/B] Model version: VXL Version[VXL] Colour: Yellow lime[928/A] Model version: VXL Version[VXL] Colour: Blue 277/A[277/A]

Group	Engine
Code	01.02
Description	Engine, assembly
Service	1



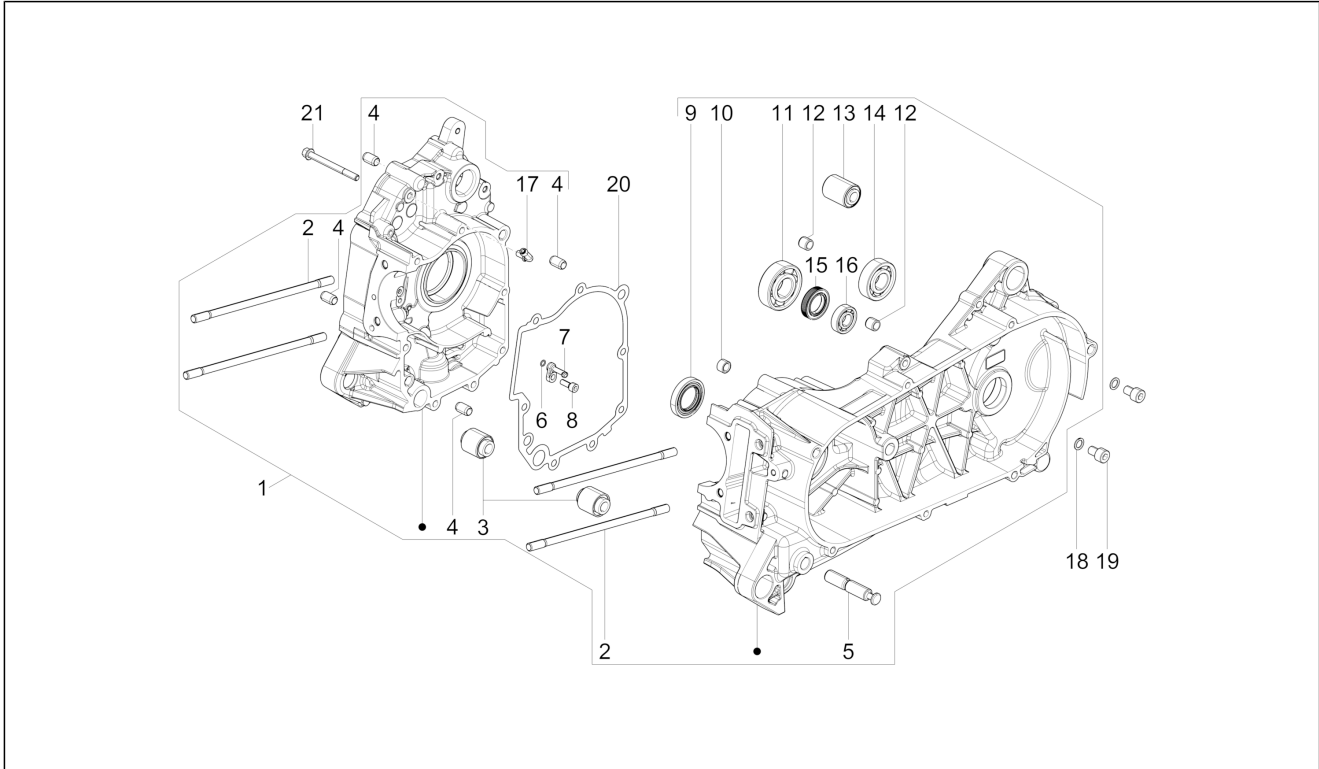
Pos.	Code	Description	Qty	Variants
				Model version: VXL Version[VXL] Colour: White Tech 505/A[505/A] Model version: VXL Version[VXL] Colour: BLACK[85/B] Model version: VXL Version[VXL] Colour: Azzurro provenza[296/A] Model version: VXL Version[VXL] Colour: Yellow lime[928/A] Model version: VXL Version[VXL] Colour: DRAGON RED[894] Model version: VXL Version[VXL] Colour: Azzurro provenza[296/A] Model version: VXL Version[VXL] Colour: Grey[700/C] Model version: VXL Version[VXL] Colour: Beige[514/A] Model version: VXL Version[VXL] Colour: DRAGON RED[894] Model version: VXL Version[VXL] Colour: White Tech 505/A[505/A] Model version: VXL Version[VXL] Colour: Grey[700/C] Model version: VXL Version[VXL] Colour: Azzurro provenza[296/A] Model version: VXL Version[VXL] Colour: White Tech 505/A[505/A] Model version: VXL Version[VXL] Colour: Grey[700/C] Model version: VXL Version[VXL] Colour: Yellow lime[928/A] Model version: VXL Version[VXL] Colour: DRAGON RED[894] Model version: VXL Version[VXL] Colour: Azzurro provenza[296/A] Model version: VXL Version[VXL] Colour: Beige[514/A] Model version: VXL Version[VXL] Colour: BLACK[85/B]

Group	Engine
Code	01.02
Description	Engine, assembly
Service	1



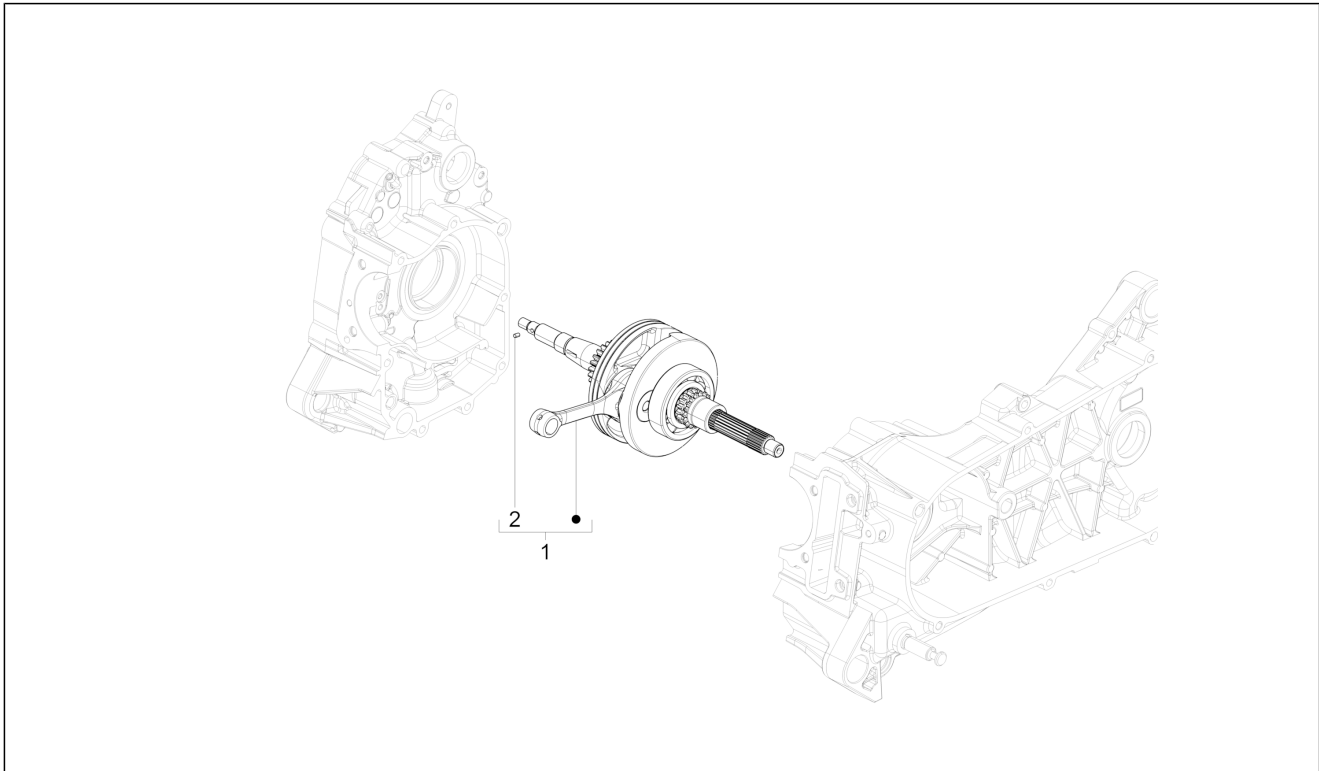
Pos.	Code	Description	Qty	Variants
				Model version: VXL Version[VXL] Colour: DRAGON RED[894] Model version: VXL Version[VXL] Colour: BLACK[85/B] Model version: VXL Version[VXL] Colour: White Tech 505/A[505/A] Model version: VXL Version[VXL] Colour: Grey[700/C] Model version: VXL Version[VXL] Colour: White Tech 505/A[505/A] Model version: VXL Version[VXL]
1	CM167022	MOT. 150 4T/3V BSIII VESPA H.E. DISCO WT	1	Model version: VX Version[VX] Colour: White[544] Model version: VX Version[VX] Colour: Yellow lime[928/A] Model version: VX Version[VX] Colour: Yellow lime[928/A] Model version: VX Version[VX] Colour: BLACK[85/B] Model version: VX Version[VX] Colour: DRAGON RED[894] Model version: VX Version[VX] Colour: DRAGON RED[894] Model version: VX Version[VX] Colour: DRAGON RED[894] Model version: VX Version[VX] Colour: Yellow lime[928/A] Model version: VX Version[VX] Colour: White[544] Model version: VX Version[VX] Colour: BLACK[85/B] Model version: VX Version[VX] Colour: White[544] Model version: VX Version[VX] Colour: BLACK[85/B] Model version: VX Version[VX]

Group	Engine
Code	01.05
Description	Crankcase
Service	1



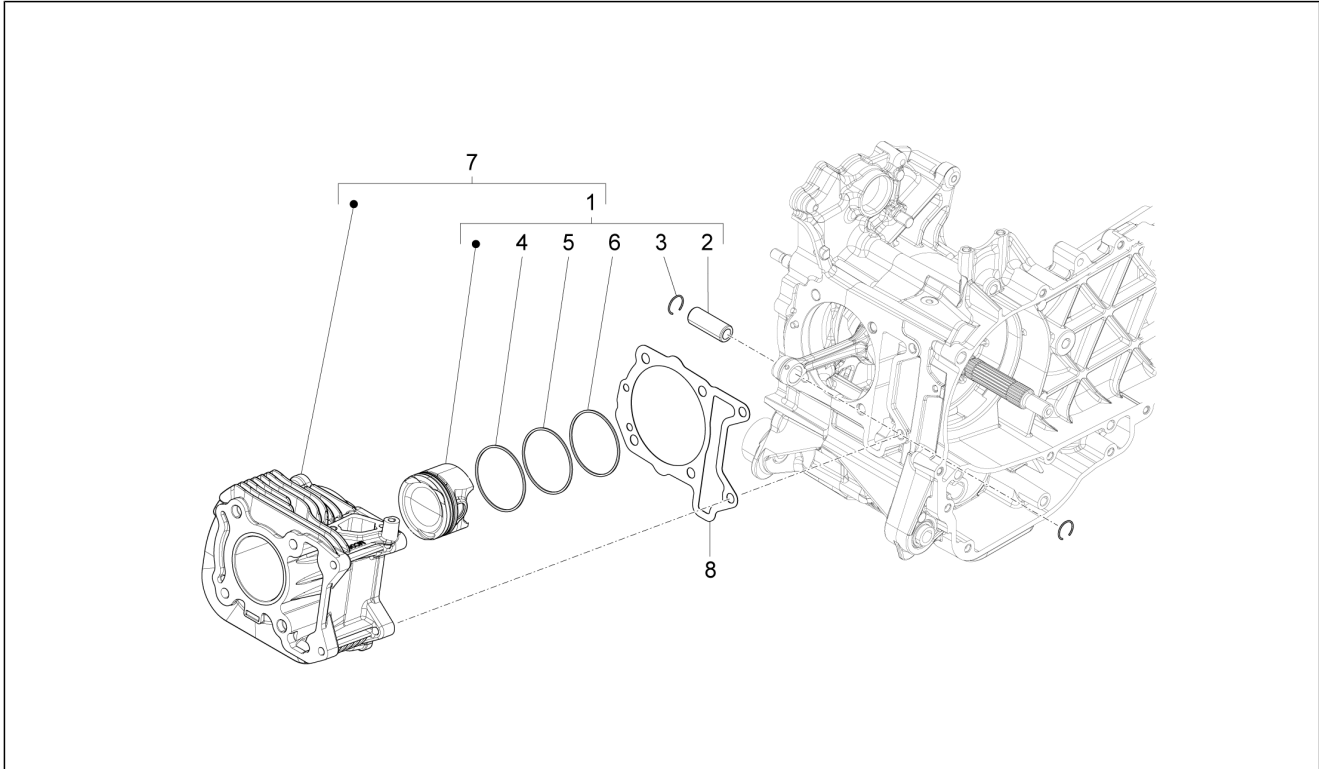
Pos.	Code	Description	Qty	Variants
1	SP1A001413	Complete crankcase	1	
2	B014755	Stud bolt	4	
3	486081	Engine support silent-block	2	
4	B015592	Locating dowel	4	
5	668686	Side stand spring fastener pin	1	
6	1A001256	O-Ring seal ring	1	
7	1A001337	Lubricating jet	1	
8	B018718	Hex socket screw M5x14	1	
9	B018139	Gasket ring 40x25x7	1	
10	B017446	Bush	1	
11	B016954	Radial ball bearing 47x20x14	1	
12	B015591	Locating dowel Ø11x10	2	
13	666991	Silent block	1	
14	B016955	Radial ball bearing 40x17x12	1	
15	B019107	Gasket ring 20x32x7	1	
16	83048R	Radial ball bearing	1	
17	B015544	Joint Blow-by	1	
18	485703	Washer 8.2x12x1	2	
19	269755	Hex socket screw M8x12	2	
20	1A001278	Half crankcase gasket	1	
21	1A003068	Screw w/ flange M6x35	9	

Group	Engine
Code	01.06
Description	Crankshaft
Service	1



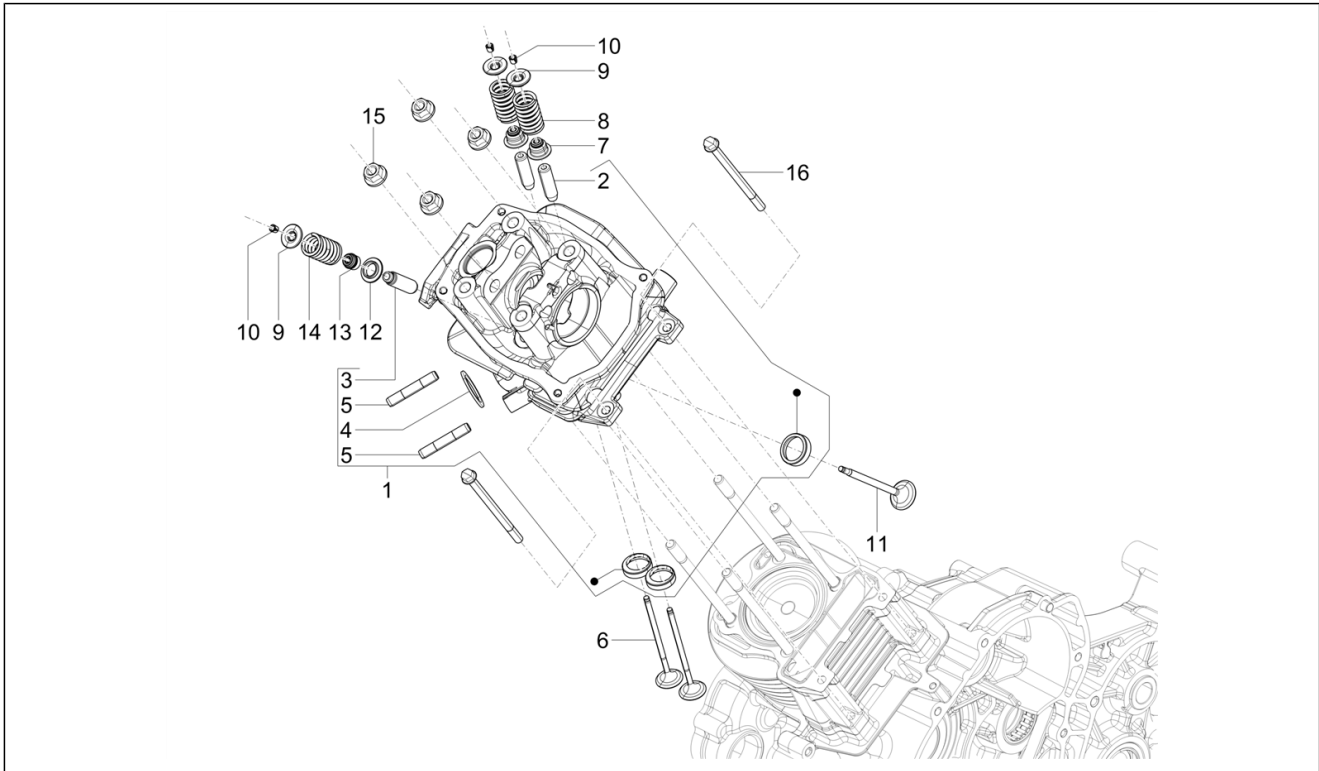
Pos.	Code	Description	Qty	Variants
1	SP1A006081	Crankshaft with bearing and pinion - SPD	1	
2	287959	Guide roller	1	

Group	Engine
Code	01.07
Description	Cylinder-piston-wrist pin unit
Service	1



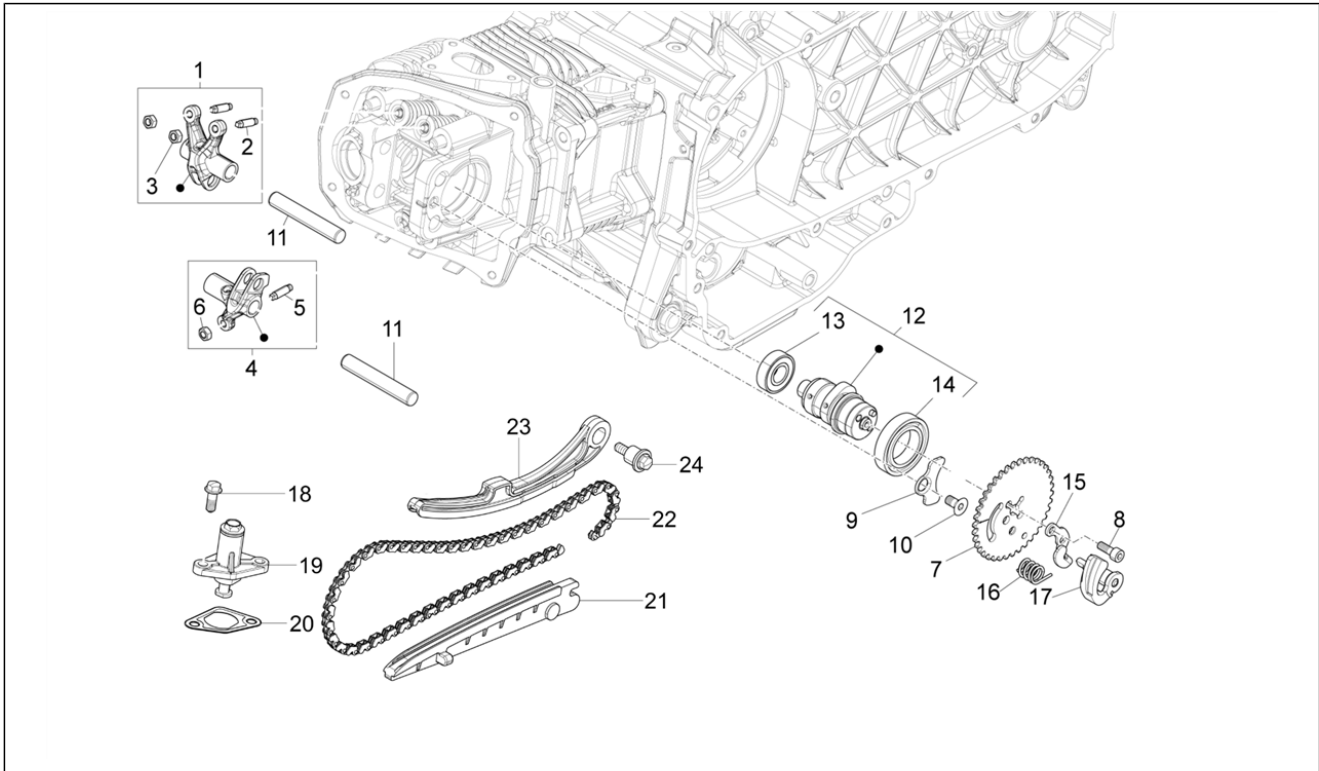
Pos.	Code	Description	Qty	Variants
1	SP1L001335C	Piston components group	1	
2	880841	Piston pin	1	
3	879474	Crank pin retainer ring	2	
4	B017548	Compression ring 1° cava	1	
5	B017549	Compression ring 2° cava	1	
6	B017550	Compression ring 3° cava	1	
7	SP1L001335C	Piston components group	1	
8	CM278602	Crankcase/cylinder gasket 0,6 mm	1	
8	CM278601	Crankcase/cylinder gasket 0,4 mm	1	
8	CM278603	Crankcase/cylinder gasket 0,8 mm	1	

Group	Engine
Code	01.10
Description	Head unit - Valve
Service	1



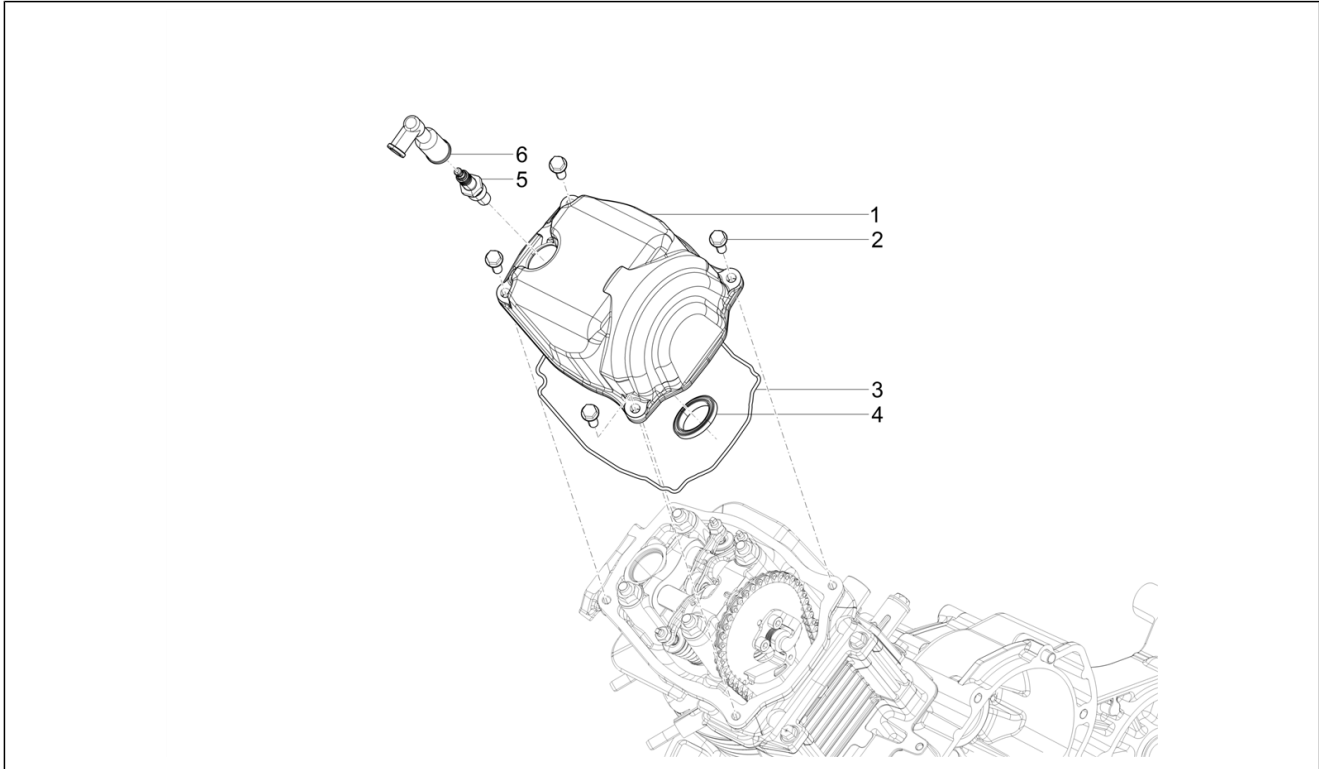
Pos.	Code	Description	Qty	Variants
1	SP1A007329R	Complete cylinder head	1	
2	B015335	Guide in. valve	2	
3	B015334	Guide ex. valve	1	
4	434716	Big end-silencer gasket	1	
5	1A004153	Special stud bolt	2	
6	B014684	Intake valve	2	
7	843307	Valve gasket ring	2	
8	B014706	Intake valve spring	2	
9	B017456	Upper cap	3	
10	B015288	Valve half-cone	6	
11	B017438	Exhaust valve	1	
12	483711	Lower cap	1	
13	436438	Valve gasket ring	1	
14	B014705	Exhaust valve spring	1	
15	B016939	Flanged nut M8x1,25	4	
16	B018854	Flanged hexagonal-head screw M6x90	2	
17	1A000745	Cylinder head gasket	1	

Group	Engine
Code	01.11
Description	Rocking levers support unit
Service	1



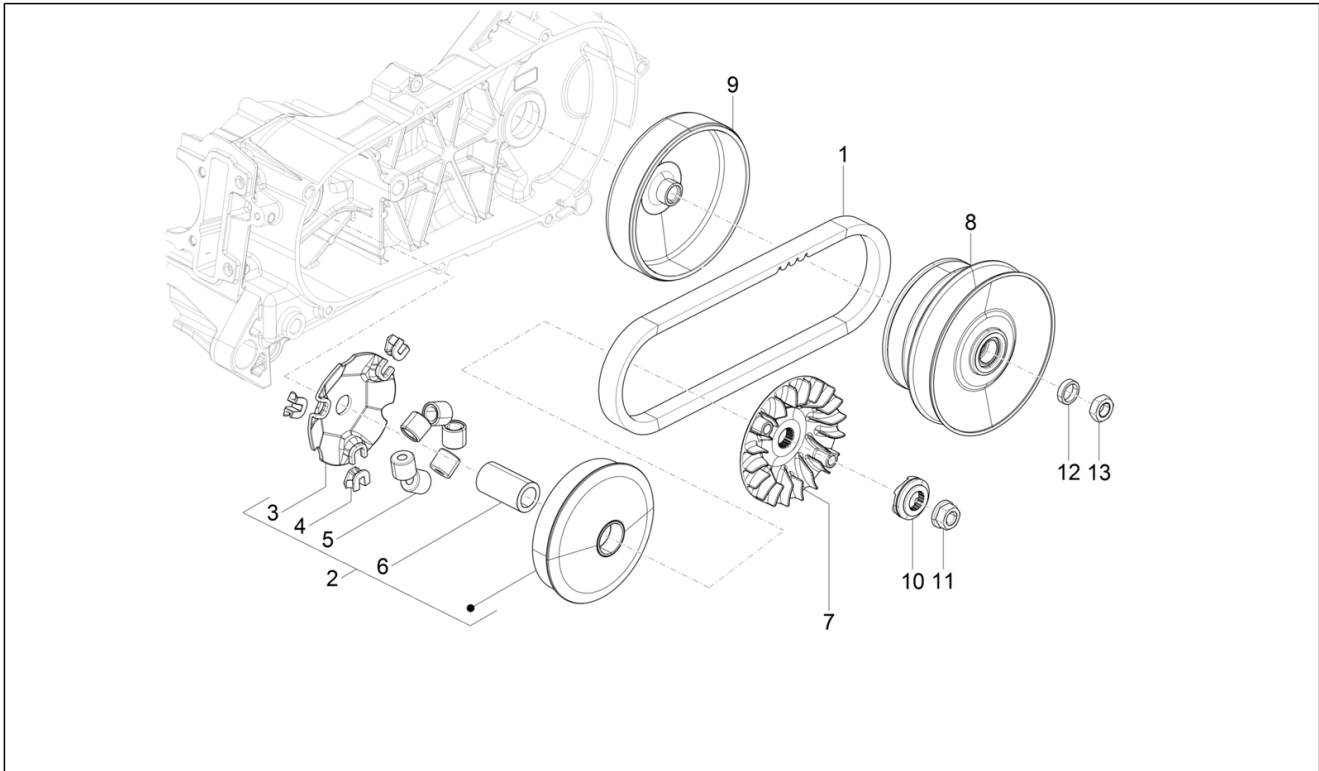
Pos.	Code	Description	Qty	Variants
1	B017425	Complete intake side rocker	1	
2	B017323	Valve adjuster screw	2	
3	B017431	Rocker arm adjuster nut	2	
4	B017426	Complete exhaust side rocker	1	
5	B017323	Valve adjuster screw	1	
6	B017431	Rocker arm adjuster nut	1	
7	B019040	Timing system gear	1	
8	B018718	Hex socket screw M5x14	2	
9	B014760	Camshaft retaining plate	1	
10	B018946	Screw M6x18	1	
11	B017113	Rocker arms axis	2	
12	SPB015309	Camshaft complete of bearing he vesp	1	
13	83040R	Ball bearing	1	
14	83041R	Ball bearing	1	
15	1A008397	Decompression ground retaining plate	1	
16	B015483	Decompression spring	1	
17	SP1A005421	Decompression counterweight	1	
17	SP1A006405	Decompression counterweight	1	
18	1F000110	Flanged hexagon screw M6x16	2	
19	B017165	Chain tensioner	1	
20	847928	Cylinder/chain tensioner gasket	1	
21	B014830	Fixed pad	1	
22	830269	Camshaft chain	1	
23	B014831	Chain tensioner rod	1	
24	B014237	Special screw	1	

Group	Engine
Code	01.12
Description	Cylinder head cover
Service	1



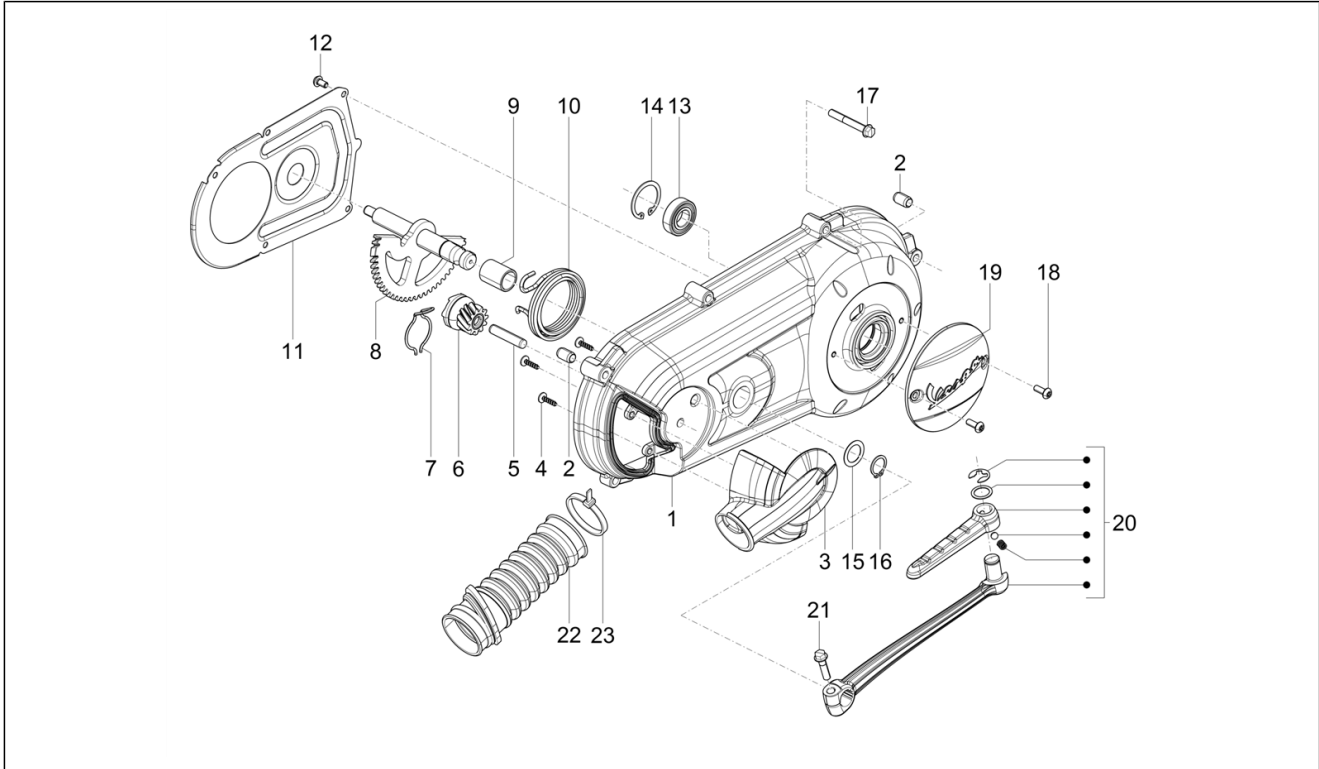
Pos.	Code	Description	Qty	Variants
1	1A006545	Head cover	1	
2	018639	Hex screw M6x20	4	
3	B018533	Head cover gasket	1	
4	B014732	Spark plug hole gasket	1	
5	643367	Ignition spark plug	1	
6	643149	Spark plug cap	1	

Group	Engine
Code	01.13
Description	Driving pulley
Service	1



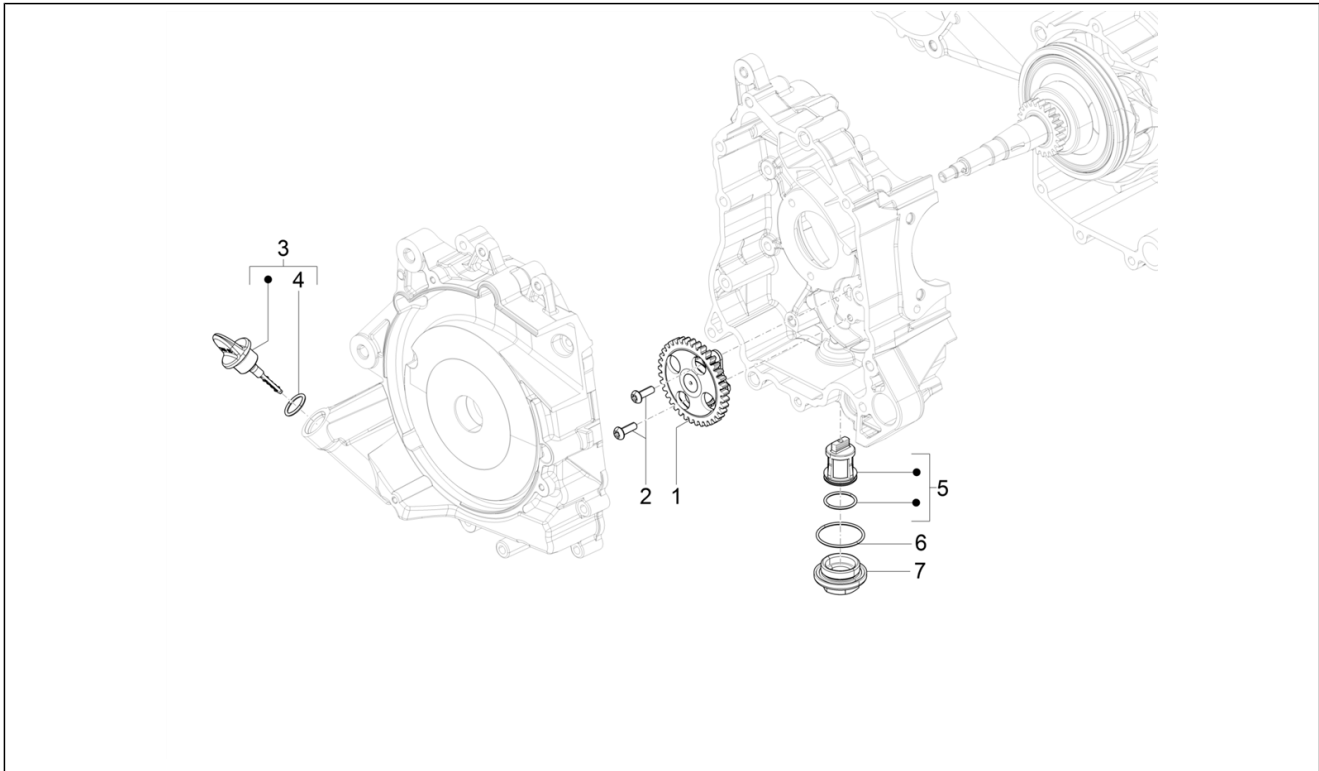
Pos.	Code	Description	Qty	Variants
1	1A003846	V-belt	1	
2	1A008699	Complete roller housing	1	Model version: SXL Version[SXL]
2	1A010048	Complete roller housing	1	Model version: VXL Version[VXL]
2	1A003898	Complete roller housing	1	Model version: VX Version[VX]
3	1A001745	Roller contrast	1	
4	1A001746	Regulator shoe	3	
5	1A003896	roller complete	6	
6	1A002446	Spacer	1	
7	1A005055	Fixed driving half pulley	1	
8	1A005056	Pulley	1	
9	1A005057	Clutch drum	1	
10	B017599	Toothed bushing	1	
11	1A006988	Nut with spring washer	1	
12	B018306	Spacer	1	
13	B018308	Nut	1	

Group	Engine
Code	01.15
Description	Crankcase cover - Crankcase cooling
Service	1



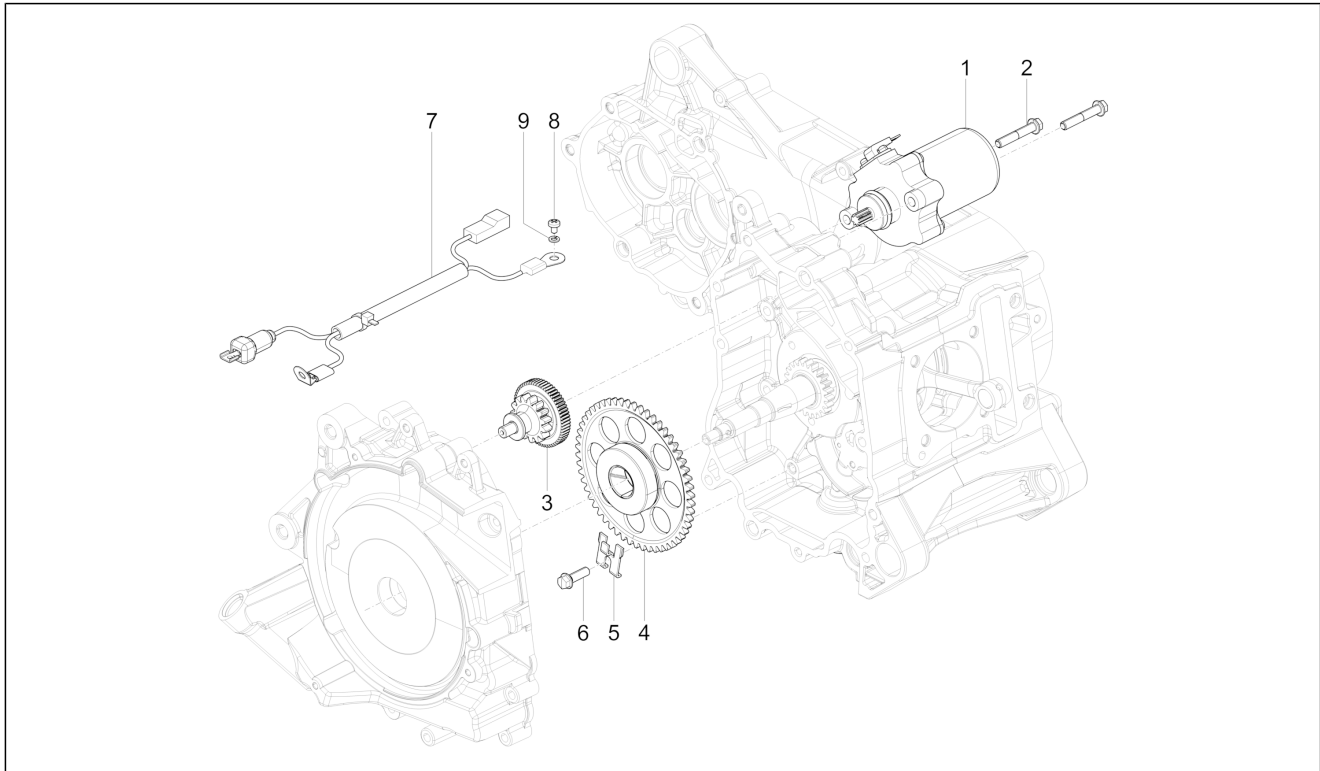
Pos.	Code	Description	Qty	Variants
1	SP1A002993	Case cover	1	
2	B015592	Locating dowel	2	
3	B013524	Cooling Cover	1	
4	B018421	Self-tap screw 3,8x16	3	
5	B017481	Starter pinion pin	1	
6	B017597	Pinion starter	1	
7	830212	Elastic spring	1	
8	B018038	kick starter axle	1	
9	B017445	Bush	1	
10	B014188	Starter lever return spring	1	
11	B013685	Air deflector	1	
12	1A000612	Torx convex big end screw	5	
13	B018304	Radial ball bearing	1	
14	1A006307	Snap ring	1	
15	433987	Washer 16,3x23,8	1	
16	006416	Circlip	1	
17	1A003060	Screw w/ flange M6x45	6	
18	1A005132	Transmission cover	1	
19	1A001494	Torx convex big end screw M5x14	2	
20	1A008072	Complete starting lever	1	
21	1A003065	Screw w/ flange M6x25	1	
22	672661	Bellows	1	
23	709519	Hose clamp	1	

Group	Engine
Code	01.18
Description	Oil pump
Service	1



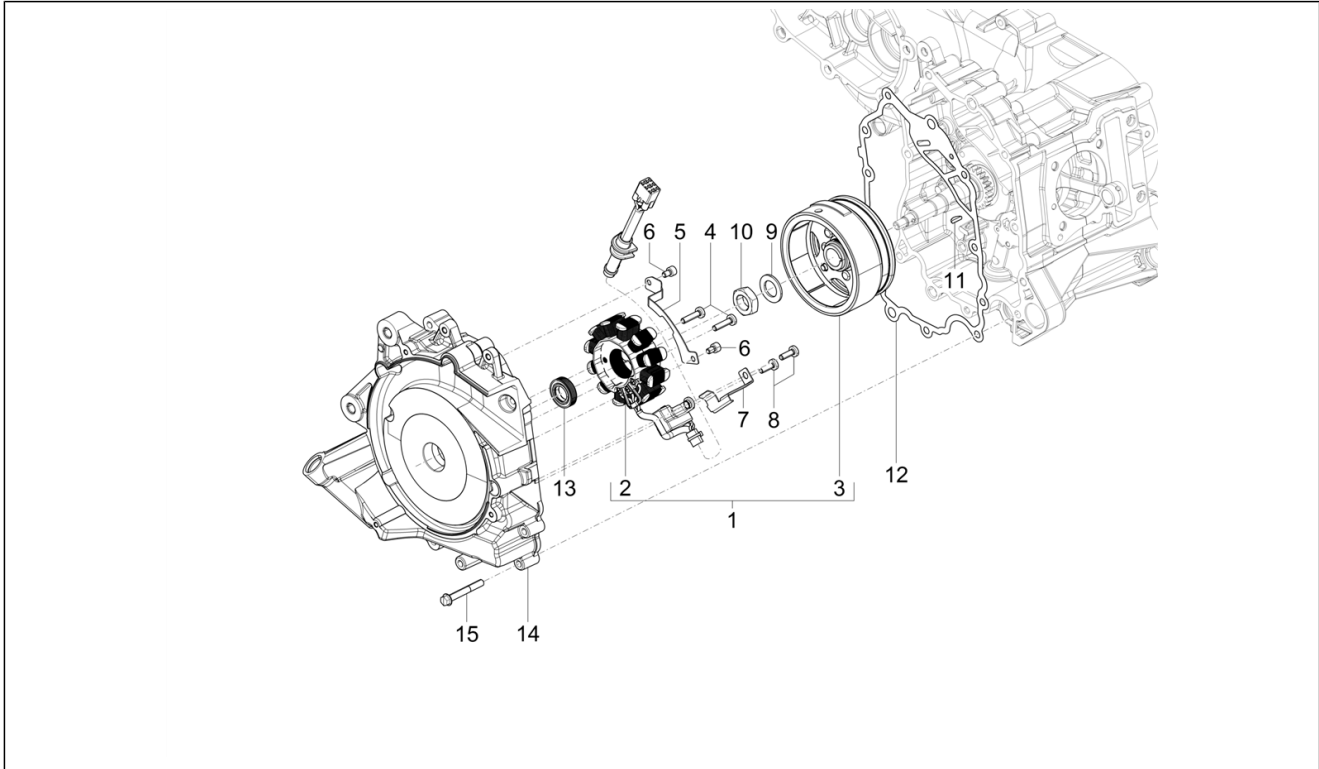
Pos.	Code	Description	Qty	Variants
1	B018448	Oil pump assy.	1	
2	1A001073	Torx Screw M5x16	2	
3	B017002	Complete oil level dipstick	1	
4	1A009397	Packing	1	
5	B018020	Oil filter cpl.	1	
6	285536	O-ring 31,47x1,78	1	
7	B015598	Oil filter plug	1	

Group	Engine
Code	01.20
Description	Stater - Electric starter
Service	1



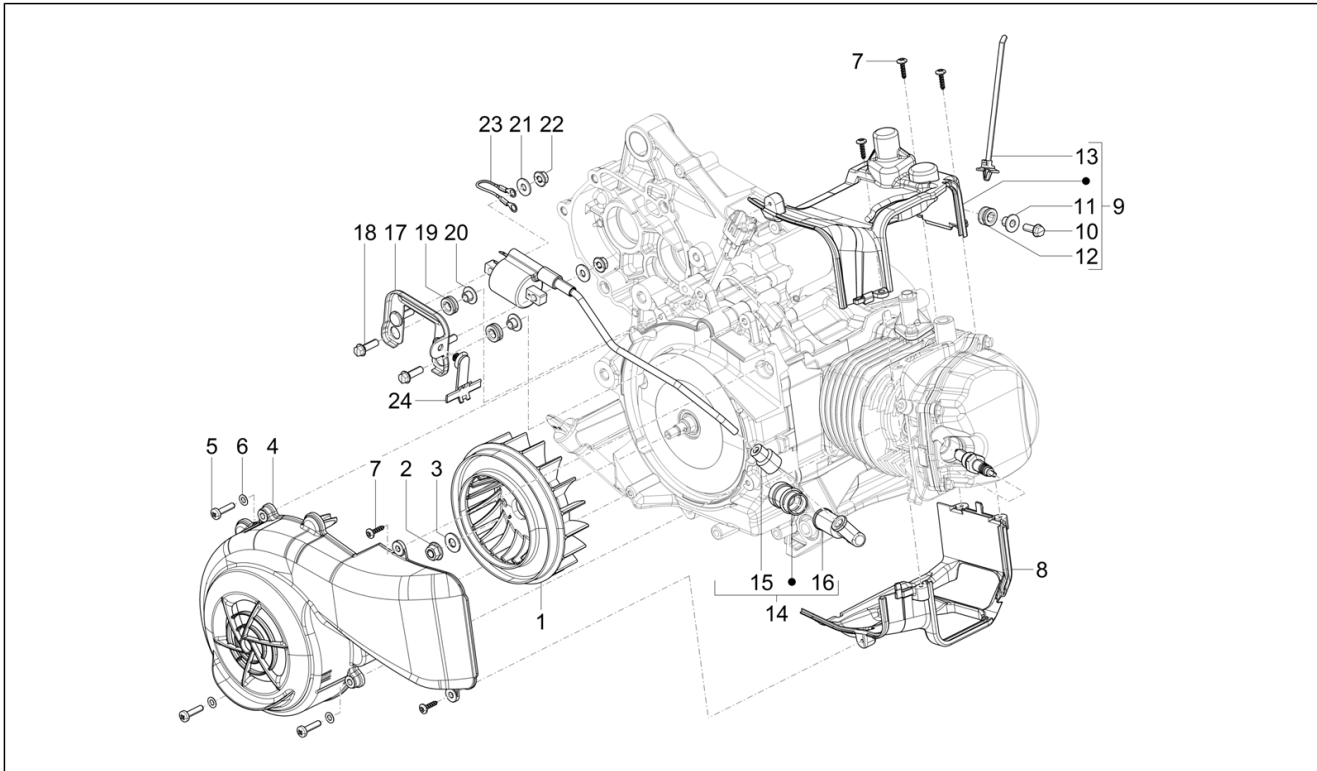
Pos.	Code	Description	Qty	Variants
1	1D000032R	Starter motor	1	
1	1A015231	Starter motor	1	
2	1A003063	Screw w/ flange M6x35	2	
3	1A001443R	Electric starter gear	1	
4	83033R	Starting ring gear with limiting device	1	
5	B013851	Housing Corona avv.elettr.	1	
6	1A002691	Screw w/ flange M6x20 CL10	1	
7	1D000152	Connection cables Avviamento	1	
8	018644	screw	1	
9	016404	Flat washer 4,2x7,6x0,9	1	

Group	Engine
Code	01.21
Description	Flywheel magneto
Service	1



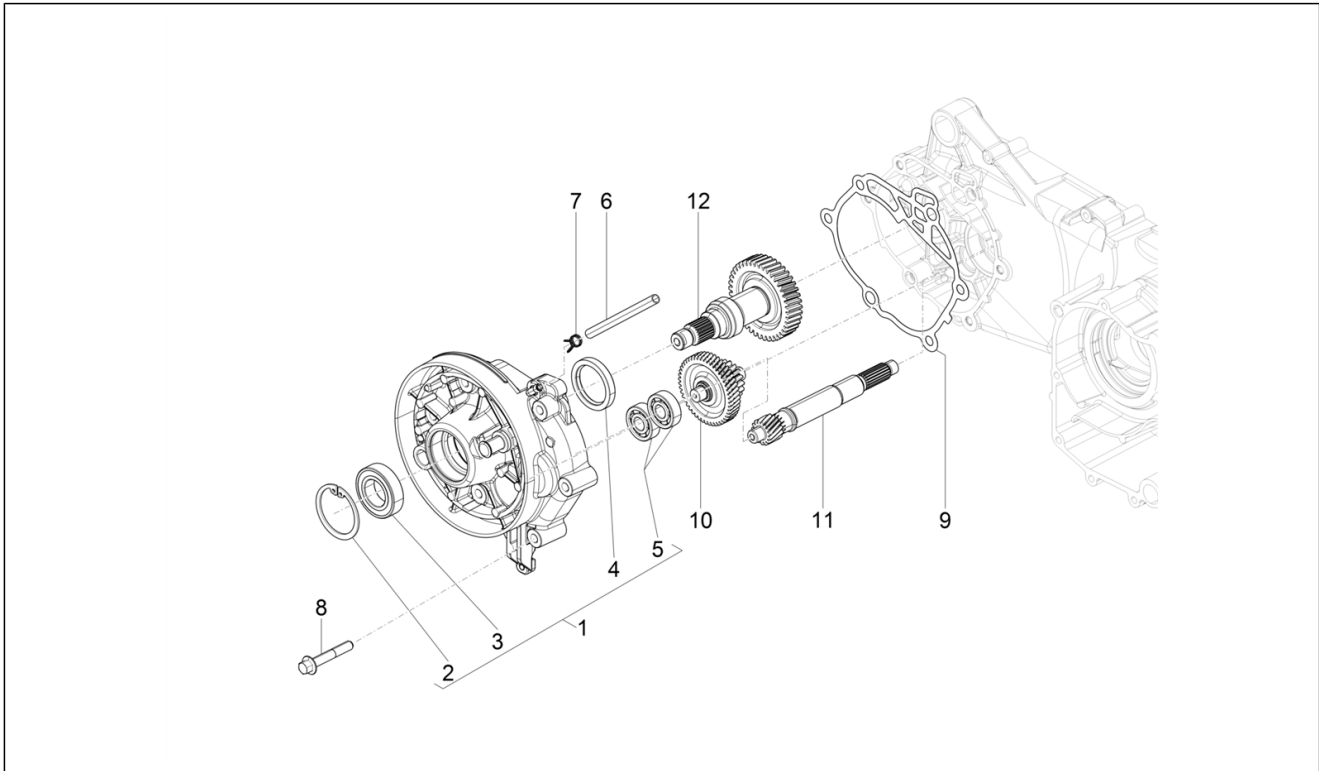
Pos.	Code	Description	Qty	Variants
1	58279R	Cdi magneto assy	1	
2	1A009501	Stator	1	
2	643200	Stator	1	
3	1A009497	Complete freewheel rotor	1	
3	643419	Complete freewheel rotor	1	
4	1A001113	Screw	2	
5	B013653	Stator cable retainer plate	1	
6	B016617	Screw M5x8	2	
7	642528	Housing sheet cavi	1	
8	1A001073	Torx Screw M5x16	2	
9	B014585	Flat washer	1	
10	880805	Nut	1	
11	000267	Transmission key	1	
12	B013526	Flywheel housing cover gasket	1	
13	B018140	Gasket ring 14x28x7	1	
14	SPB016403	Complete flywheel cover	1	
15	1A003060	Screw w/ flange M6x45	12	

Group	Engine
Code	01.23
Description	Flywheel magneto cover - Oil filter
Service	1



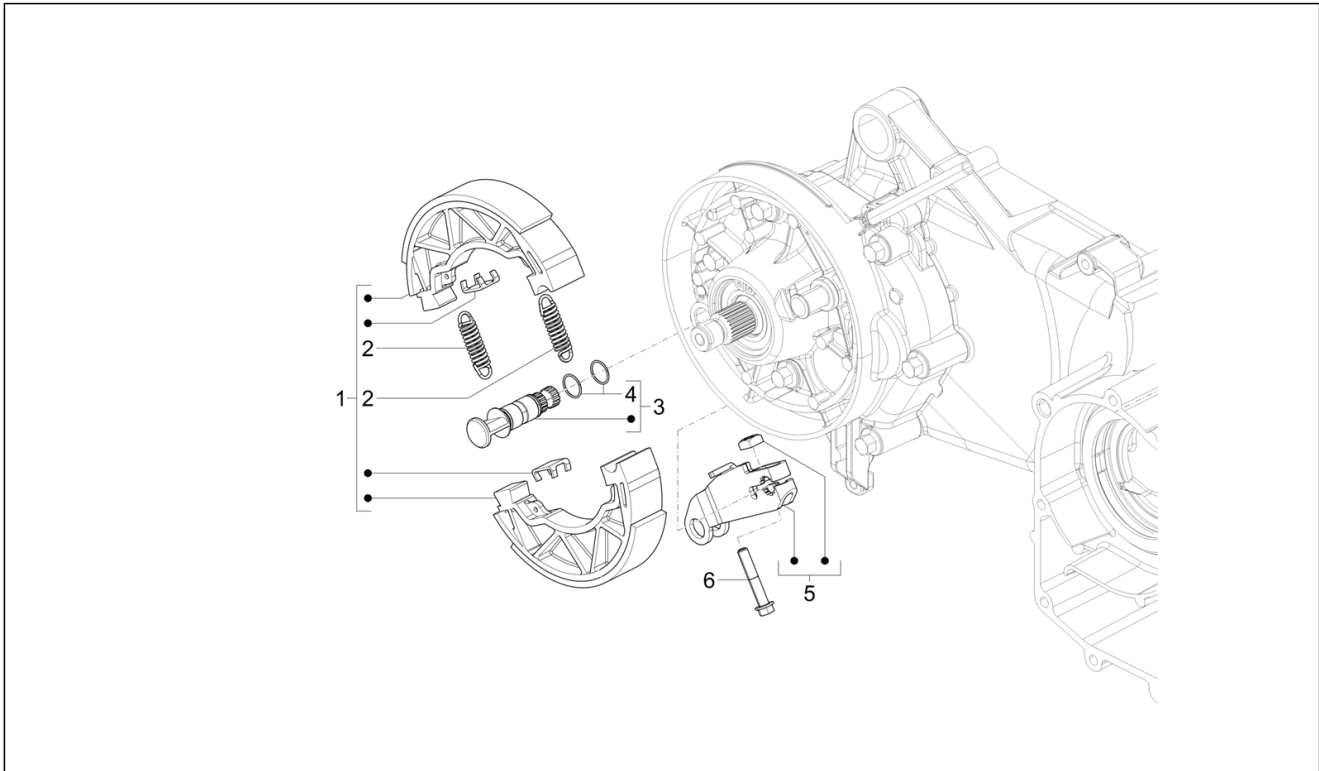
Pos.	Code	Description	Qty	Variants
1	1A002013	Fan	1	
2	B016939	Flanged nut M8x1,25	1	
3	B017080	Flat washer	1	
4	B014750	Scroll cover	1	
5	B016620	Special cap screw M5x21	3	
6	006975	Washer $\varnothing 5,3 \times \varnothing 10 \times 0,5$	3	
7	B018421	Self-tap screw 3,8x16	5	
8	B014752	Exhaust side hood	1	
9	1A005179	Intake side hood	1	
10	1F000110	Flanged hexagon screw M6x16	1	
11	B014214	Spacer	1	
12	B014213	Fairlead	1	
13	643114	Cable retainer clamp	1	
14	58297R	HT coil completa	1	
15	642537	Protective hood	1	
16	643149	Spark plug cap	1	
17	B016552	HV coil support bracket with i.p.	1	
18	018639	Hex screw M6x20	2	
19	B014063	Pad	2	
20	B014066	Spacer	2	
21	013880	Flat washer 16x6,5x1,5	2	
22	B017143	Flanged nut M6	2	
23	643156	Mass cable	1	

Group	Engine
Code	01.25
Description	Reduction unit
Service	1



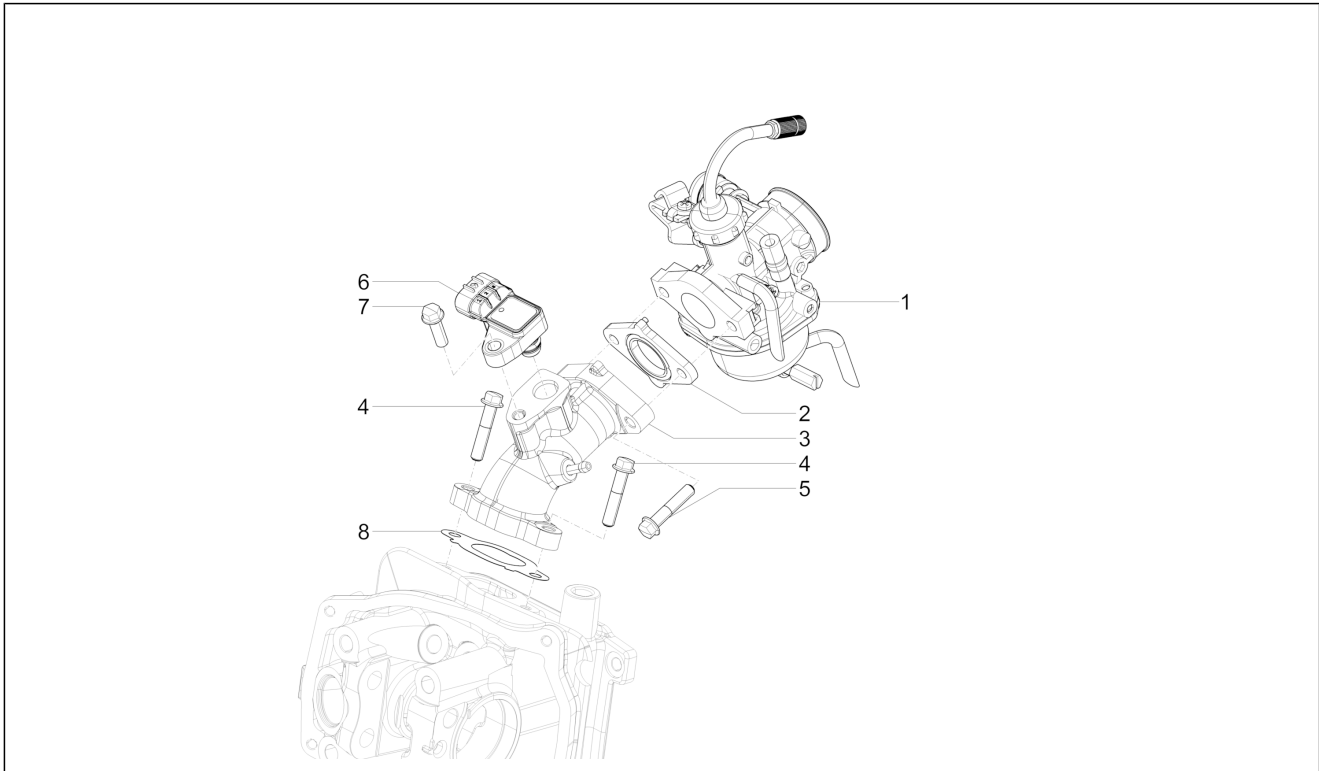
Pos.	Code	Description	Qty	Variants
1	SP1A000453	Side cover	1	
2	006647	Circlip	1	
3	83044R	Radial ball bearing	1	
4	B019108	Gasket ring 35x47x7	1	
5	B016953	Radial ball bearing	2	
6	1A004654	Oil breather pipe	1	
7	CM002903	Hose clamp	1	
8	1A007618	Screw w/ flange	6	
9	B013594	Reduction unit cover gasket	1	
10	1A001012	Transmission shaft	1	
11	1A006503	Driven pulley shaft	1	
12	1A001015	Wheel axle with U.P.	1	

Group	Engine
Code	01.35
Description	Rear brake - Brake jaw
Service	1



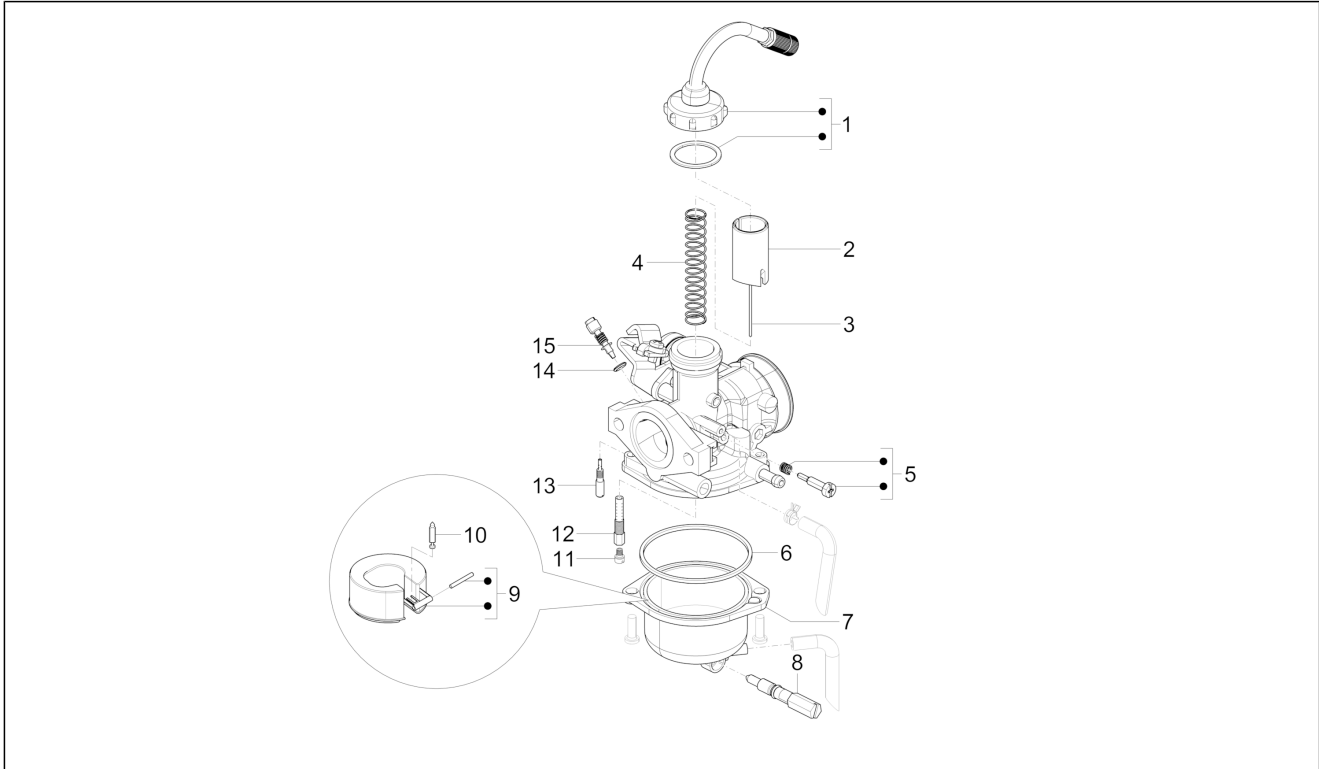
Pos.	Code	Description	Qty	Variants
1	1C000655R	Pair of brake shoes	1	
2	647384	Brake shoes return spring	2	
3	5641365	Brake lever shaft	1	
4	564134	Gasket	2	
5	1C001658	Rear brake control lever	1	
6	1A003063	Screw w/ flange M6x35	1	

Group	Engine
Code	01.39
Description	Carburettor, assembly - Union pipe
Service	1



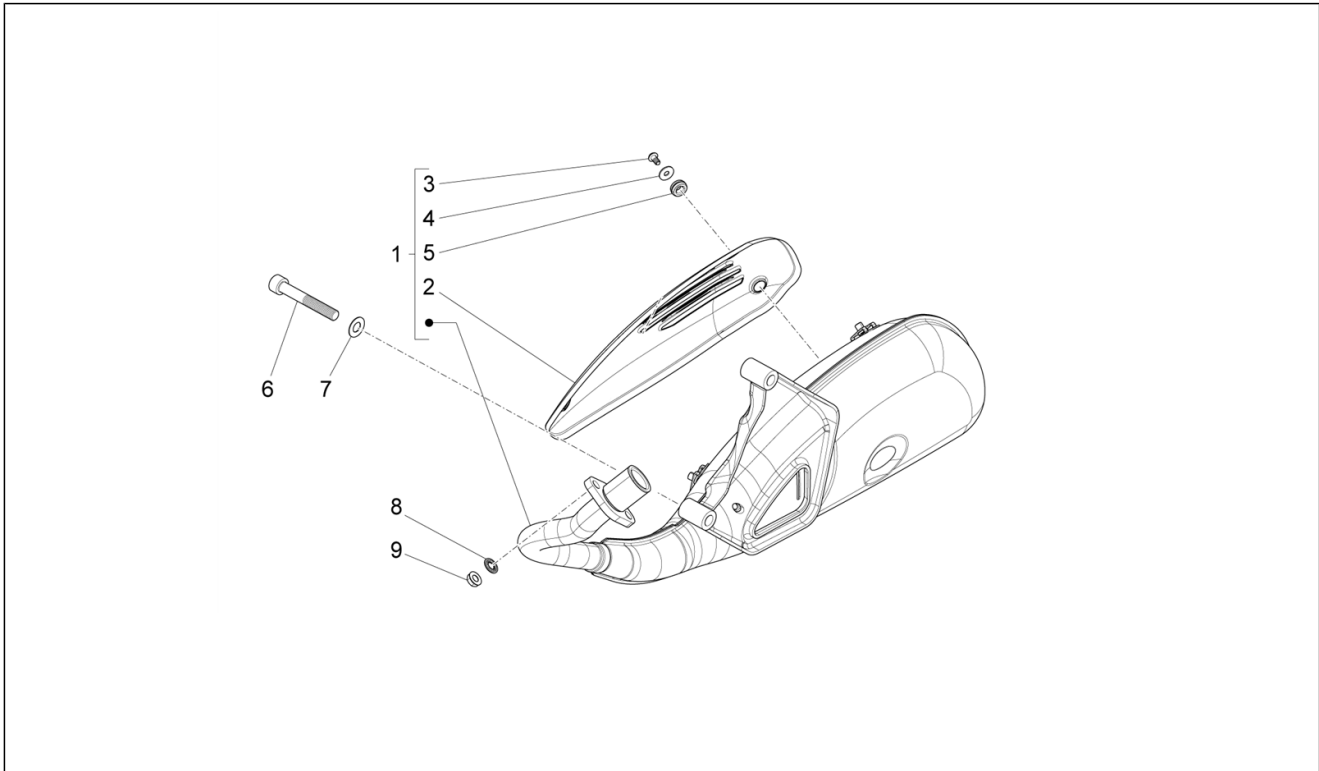
Pos.	Code	Description	Qty	Variants
1	CM283002	Carburetor assembly PB 18/20	1	
2	B015543	Intake fittings support	1	
3	1A006346	Induction joint with U.P.	1	
4	018639	Hex screw M6x20	2	
5	B018853	Screw w/ flange M6x30	2	
6	58290R	Air pressure sensor	1	
7	018639	Hex screw M6x20	1	
8	B018442	Induction joint gasket	1	

Group	Engine
Code	01.40
Description	Carburetor's components
Service	1



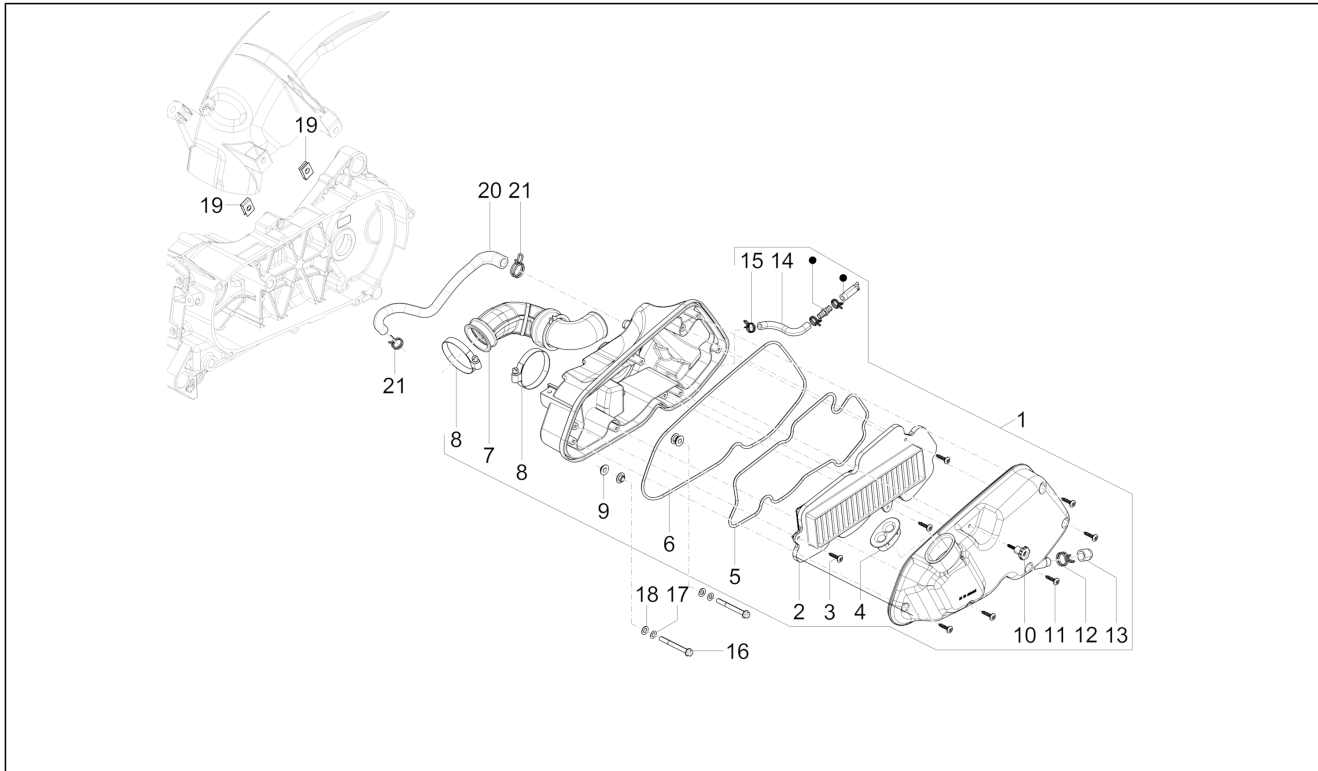
Pos.	Code	Description	Qty	Variants
1	B016393	Gas valve cover	1	
2	1A007651	Gas valve	1	
3	CM166702	Conical pin	1	
4	1A007652	Gas valve spring	1	
5	B016394	Valve aperture screw and spring	1	
6	B016388	Float chamber gasket	1	
7	B016389	Complete reservoir	1	
8	B016390	Screw	1	
9	B016387	Float cpl.	1	
10	B016386	Fuel closing needle	1	
11	CM166404	Main jet	1	
12	CM166501	Pipe	1	
13	CM166602	Idle jet	1	
14	1A007189	Idle adjustment screw kit	1	
15	1A006875	O-Ring seal ring	1	

Group	Engine
Code	01.42
Description	Silencer
Service	1



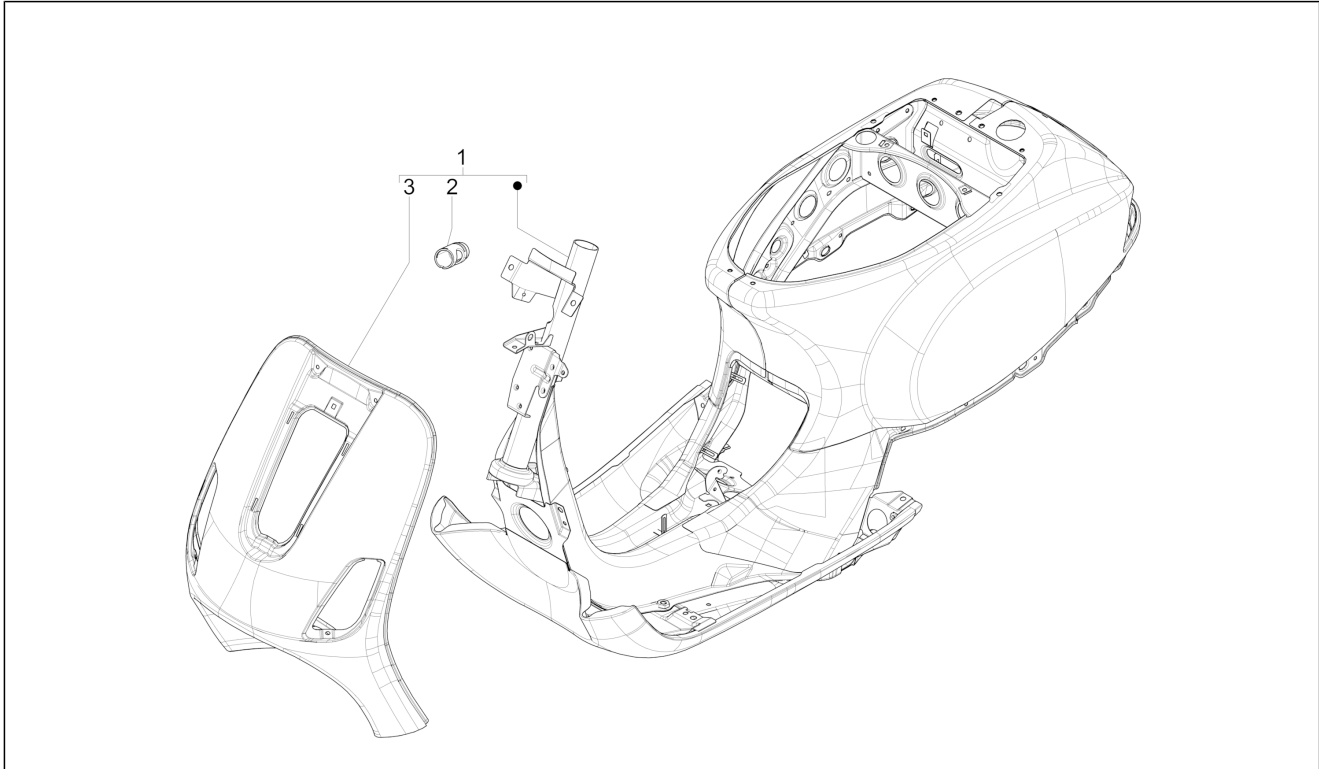
Pos.	Code	Description	Qty	Variants
1	1A007480	Silencer complete with protection	1	
2	B014404	Protection	1	
3	AP8152267	Hex socket screw M5x12	3	
4	844927	Flat washer	3	
5	841782	Rubber spacer	3	
6	B016627	Screw w/ flange M10x60	2	
7	B015321	Tapered washer	2	
8	436947	Nut	2	
9	B015320	Plain washer	2	

Group	Engine
Code	01.45
Description	Air filter
Service	1



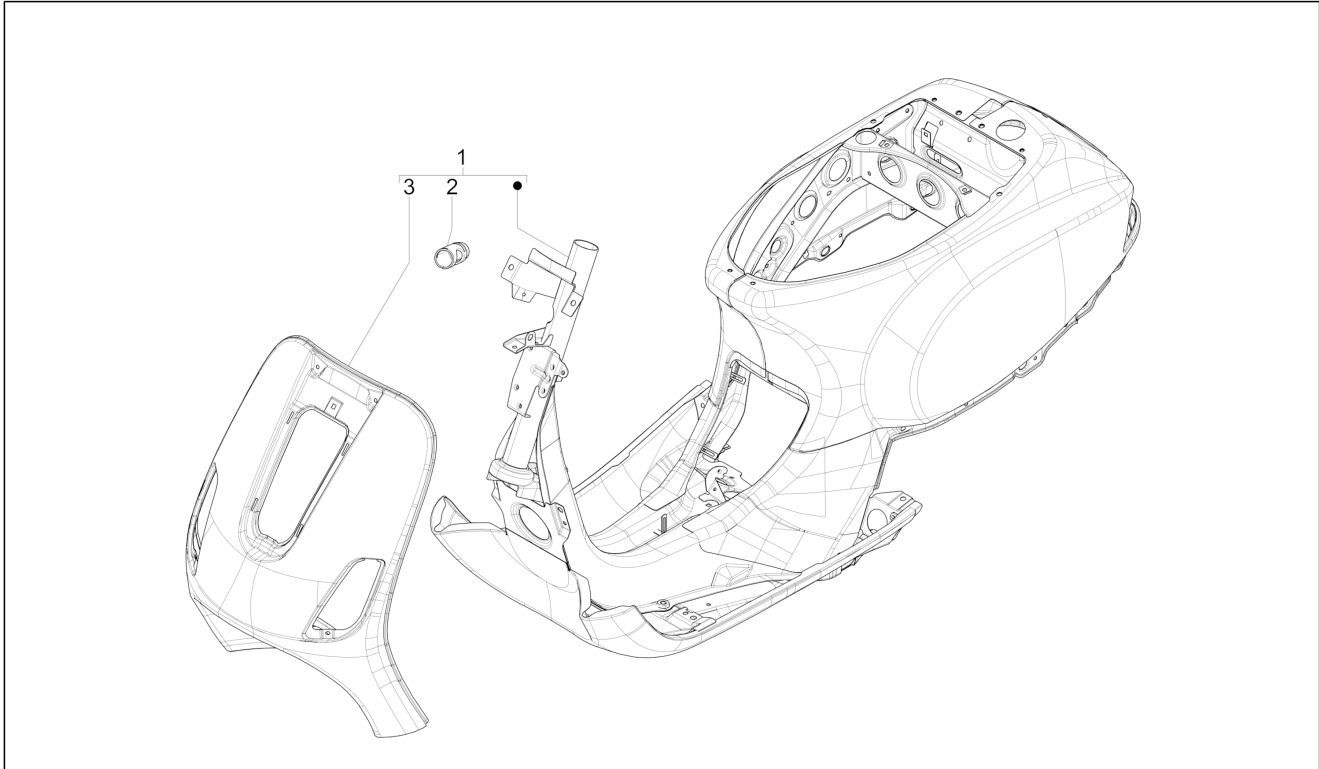
Pos.	Code	Description	Qty	Variants
1	1A007584	Complete air cleaner box	1	
2	B018451	Air filter	1	
3	258146	Self-tap screw M3x20	3	
4	B015178	Hose	1	
5	B014994	Gasket Interna	1	
6	B014993	Gasket Esterna	1	
7	B015147	Air cleaner sleeve	1	
8	B019254	Hose clamp $\varnothing 42,4-\varnothing 44,5$	2	
9	B018262	Knurled bushing	4	
10	479132	Air filter closing knob	1	
11	258146	Self-tap screw M3x20	5	
12	CM002910	Hose clamp	1	
13	827831	Cap	1	
14	1A005265	Oil breather pipe	1	
15	CM002904	Hose clamp	3	
16	1A003064	Screw w/ flange M6x55	2	
17	012533	Notched washer 6,6x11x0	2	
18	003056	Flat washer 6,4x12x1	2	
19	254485	Spring plate M6	2	
20	B015323	Oil breather pipe	1	
21	CM002916	Hose clamp	2	

Group	Frame - Plastic parts - Coachwork
Code	02.01
Description	Frame/bodywork
Service	1



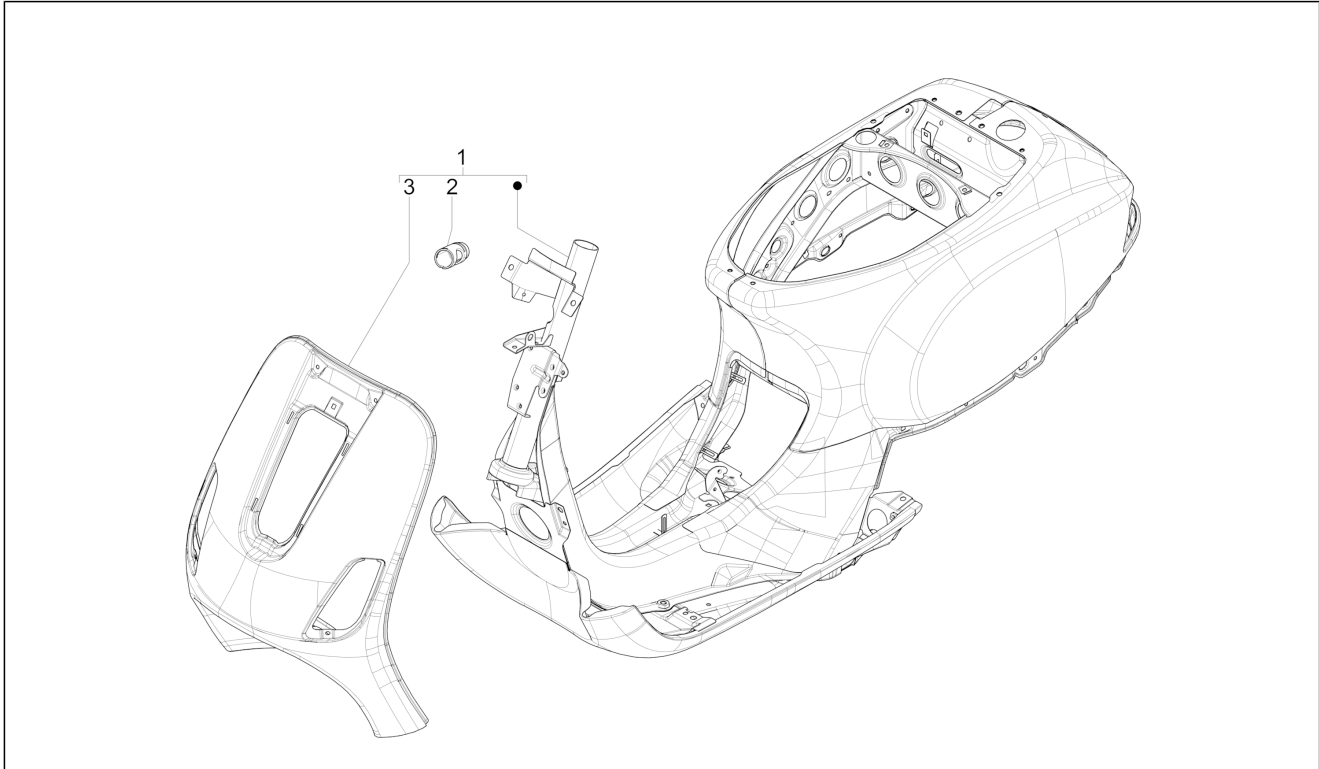
Pos.	Code	Description	Qty	Variants
1	SP67266200D02	Painted body with u.p.	1	Colour: Azzurro provenza[296/A] Model version: VXL Version[VXL] Colour: Azzurro provenza[296/A] Model version: VXL Version[VXL] Colour: Azzurro provenza[296/A] Model version: VXL Version[VXL] Colour: Azzurro provenza[296/A] Model version: VXL Version[VXL] Colour: Azzurro provenza[296/A] Model version: VXL Version[VXL] Colour: Azzurro provenza[296/A] Model version: VXL Version[VXL] Colour: Azzurro provenza[296/A] Model version: VXL Version[VXL]
1	S67266200Q8	Painted body with u.p.	1	Colour: Beige[514/A] Model version: VXL Version[VXL] Colour: Beige[514/A] Model version: VXL Version[VXL] Colour: Beige[514/A] Model version: VXL Version[VXL]
1	S67266200HL	Painted body with u.p.	1	Colour: Grey[700/C] Model version: VXL Version[VXL] Colour: Grey[700/C] Model version: VXL Version[VXL] Colour: Grey[700/C] Model version: VXL Version[VXL] Colour: Grey[700/C] Model version: VXL Version[VXL]
1	SP67266200LC	Painted body with u.p.	1	Colour: Giallo 980/A[980/A] Model version: SXL Version[SXL]
1	SP67266200S9	Painted body with u.p.	1	Colour: Rosso 801/B[801/B] Model version: SXL Version[SXL]
1	SP67266200Q4	Painted body with u.p.	1	Colour: White Tech 505/A[505/A] Model version: VXL Version[VXL] Colour: White Tech 505/A[505/A] Model version: VXL Version[VXL] Colour: White Tech 505/A[505/A] Model version: VXL Version[VXL]

Group	Frame - Plastic parts - Coachwork
Code	02.01
Description	Frame/bodywork
Service	1



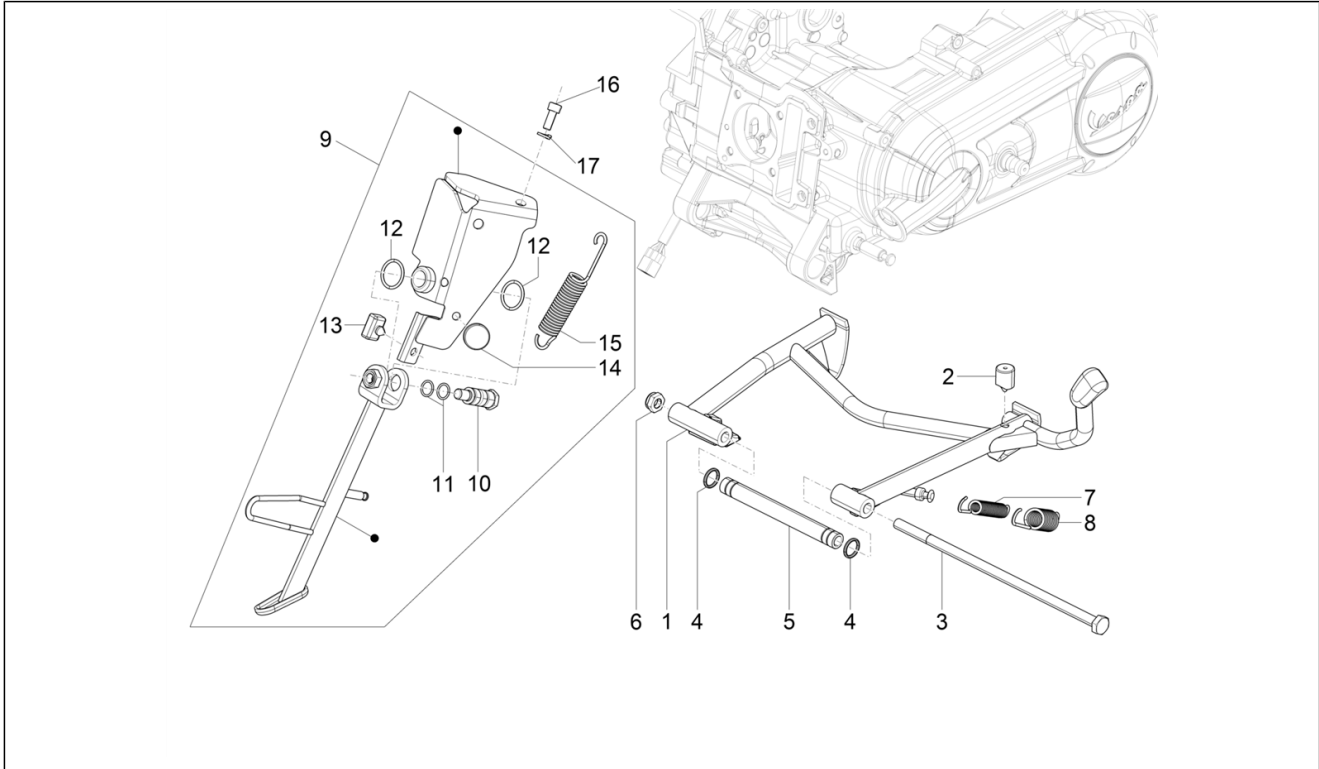
Pos.	Code	Description	Qty	Variants
				Colour: White Tech 505/A[505/A] Model version: SXL Version[SXL] Colour: White Tech 505/A[505/A] Model version: VXL Version[VXL] Colour: White Tech 505/A[505/A] Model version: VXL Version[VXL]
1	SP67266200T5	Painted body with u.p.	1	Colour: Blue 277/A[277/A] Model version: VXL Version[VXL] Colour: Blue 277/A[277/A] Model version: SXL Version[SXL]
1	67266201	Cataphoresis body with U.P.	1	
1	S67266200BR	Painted body with u.p.	1	Colour: White[544] Model version: VX Version[VX] Colour: White[544] Model version: VX Version[VX] Colour: White[544] Model version: VX Version[VX]
1	S67266200GP	Painted body with u.p.	1	Colour: Yellow lime[928/A] Model version: VX Version[VX] Colour: Yellow lime[928/A] Model version: VX Version[VX] Colour: Yellow lime[928/A] Model version: VX Version[VX] Colour: Yellow lime[928/A] Model version: VXL Version[VXL] Colour: Yellow lime[928/A] Model version: VXL Version[VXL] Colour: Yellow lime[928/A] Model version: VXL Version[VXL] Colour: Yellow lime[928/A] Model version: VXL Version[VXL] Colour: Yellow lime[928/A] Model version: VXL Version[VXL]
1	S67266200NL	Painted body with u.p.	1	Colour: BLACK[85/B] Model version: VX Version[VX] Colour: BLACK[85/B]

Group	Frame - Plastic parts - Coachwork
Code	02.01
Description	Frame/bodywork
Service	1



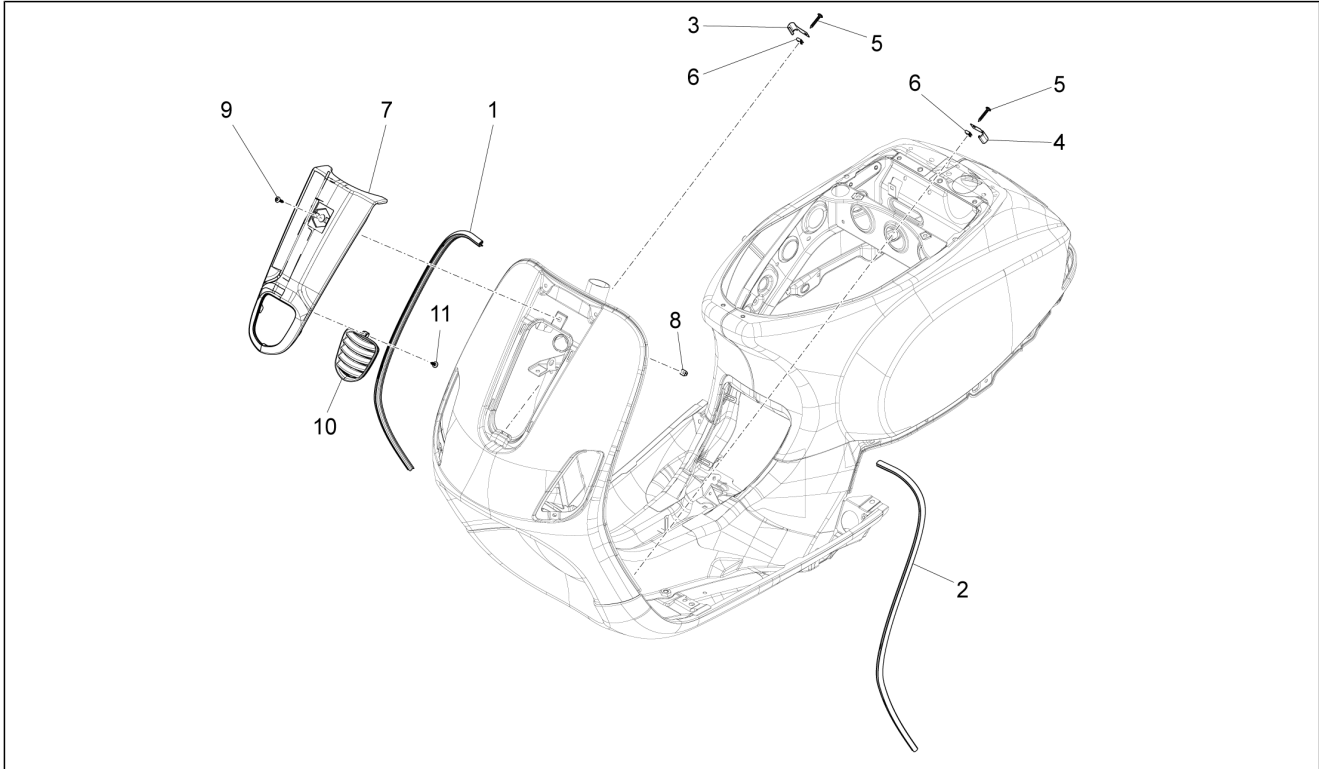
Pos.	Code	Description	Qty	Variants
				Model version: VXL Version[VXL] Colour: BLACK[85/B] Model version: VXL Version[VXL] Colour: BLACK[85/B] Model version: VXL Version[VXL] Colour: BLACK[85/B] Model version: VX Version[VX] Colour: BLACK[85/B] Model version: VX Version[VX] Colour: BLACK[85/B] Model version: SXL Version[SXL] Colour: BLACK[85/B] Model version: VXL Version[VXL] Colour: BLACK[85/B] Model version: VXL Version[VXL]
1	S67266200R7	Painted body with u.p.	1	Colour: DRAGON RED[894] Model version: VX Version[VX] Colour: DRAGON RED[894] Model version: VX Version[VX] Colour: DRAGON RED[894] Model version: VX Version[VX] Colour: DRAGON RED[894] Model version: VXL Version[VXL] Colour: DRAGON RED[894] Model version: VXL Version[VXL] Colour: DRAGON RED[894] Model version: VXL Version[VXL] Colour: DRAGON RED[894] Model version: VXL Version[VXL]
1	S67266200AI	Body with U.P., painted	1	Colour: Orange 938/A[938/A] Model version: SXL Version[SXL]
2	298604	Lock support	1	
3	6221146	shield	1	

Group	Frame - Plastic parts - Coachwork
Code	02.25
Description	Stand/s
Service	1



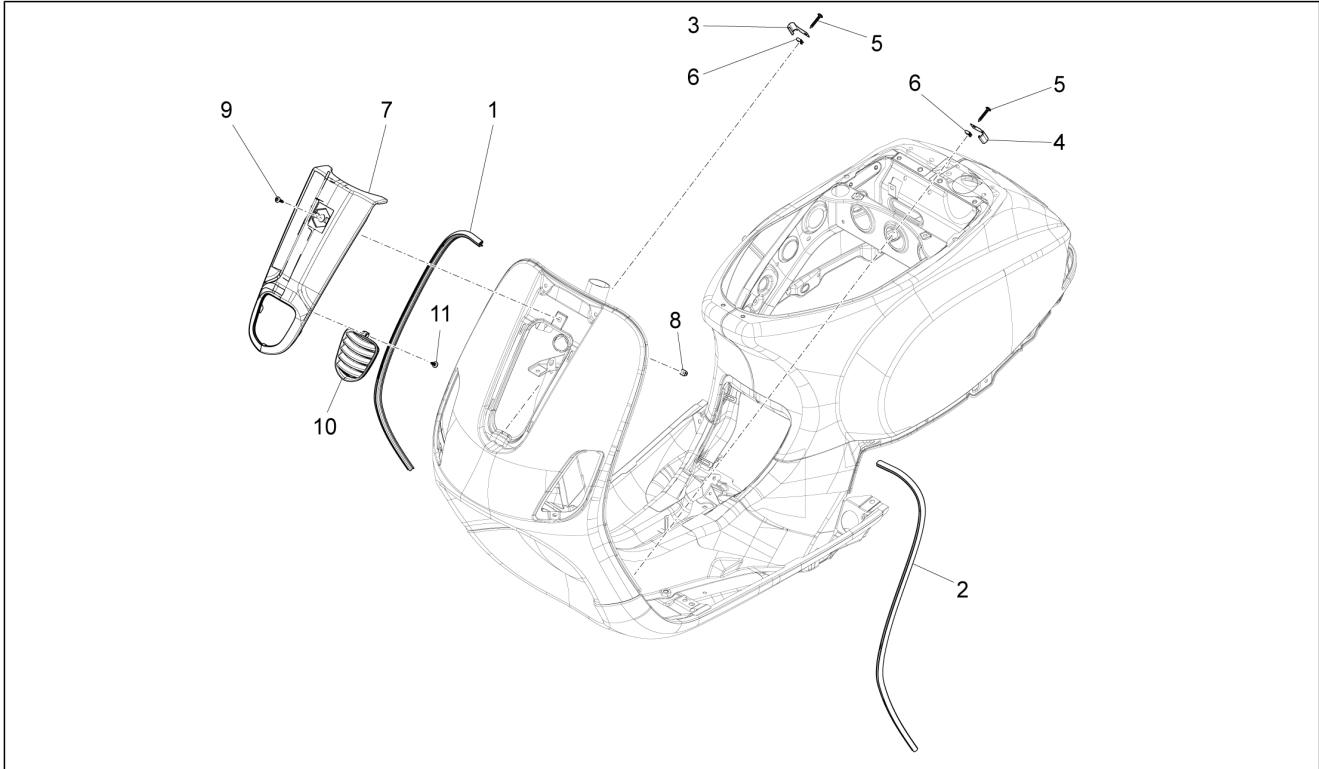
Pos.	Code	Description	Qty	Variants
1	1C000111	Centre stand with U.P.	1	
2	666484	Pad	1	
3	597043	Hex screw	1	
4	273754	O-ring	2	
5	668585	Spacer	1	
6	002440	Self locking nut M10	1	
7	667566	Spring	1	
8	667567	Spring	1	
9	1C002000	Lateral stand	1	
10	665978	Pin	1	
11	434947	O-ring 12,42x1	2	
12	191189	Gasket	1	
13	582885	Stop buffer	1	
14	666895	Stop buffer	1	
15	1C001871	Central stand spring	1	
16	599009	screw M8x20	2	
17	016408	Spring washer 13,75x8,15x4,5	2	

Group	Frame - Plastic parts - Coachwork
Code	02.26
Description	Front shield
Service	1



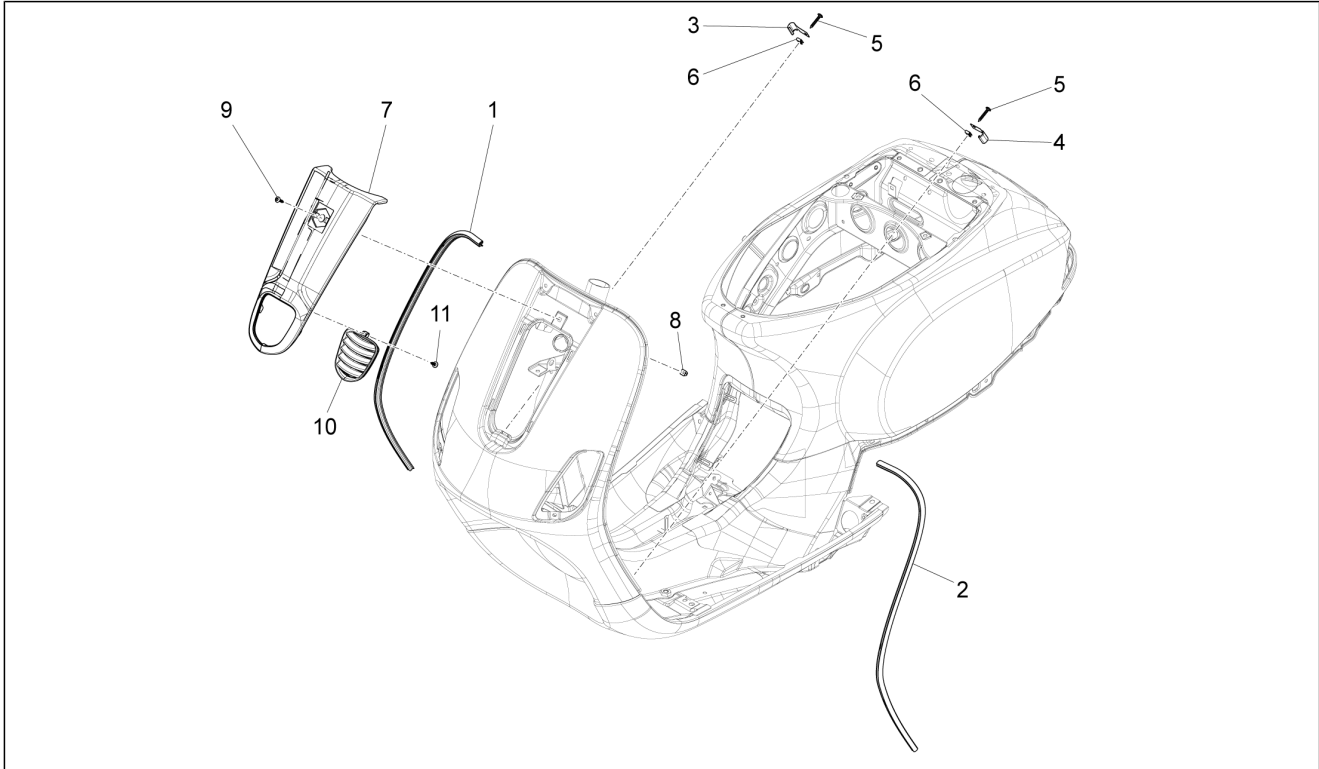
Pos.	Code	Description	Qty	Variants
1	622188	Right-hand shield edge	1	
2	622187	Left-hand shield edge	1	
3	299965	Butt strap DX	1	
4	299964	Butt strap SX	1	
5	008432	screw M3,5x9,5	2	
6	CM017403	Spring plate	2	
7	SP1B002066000Q4	Painted steering cover	1	Colour:White Tech 505/A[505/A] Model version:VXL Version[VXL] Colour:White Tech 505/A[505/A] Model version:VXL Version[VXL] Colour:White Tech 505/A[505/A] Model version:VXL Version[VXL] Colour:White Tech 505/A[505/A] Model version:VXL Version[VXL] Colour:White Tech 505/A[505/A] Model version:VXL Version[VXL]
7	SP1B002066000T5	Painted steering cover	1	Colour:Blue 277/A[277/A] Model version:VXL Version[VXL]
7	S00206600HL	Painted steering cover	1	Colour:Grey[700/C] Model version:VXL Version[VXL] Colour:Grey[700/C] Model version:VXL Version[VXL] Colour:Grey[700/C] Model version:VXL Version[VXL] Colour:Grey[700/C] Model version:VXL Version[VXL] Colour:Grey[700/C] Model version:VXL Version[VXL]
7	1B002066	Steering column cover	1	Model version:VX Version[VX] VXL Version[VXL]
7	SP1B002066000D02	Painted steering cover	1	Colour:Azzurro provenza[296/A] Model version:VXL Version[VXL] Colour:Azzurro provenza[296/A] Model version:VXL Version[VXL] Colour:Azzurro provenza[296/A]

Group	Frame - Plastic parts - Coachwork
Code	02.26
Description	Front shield
Service	1



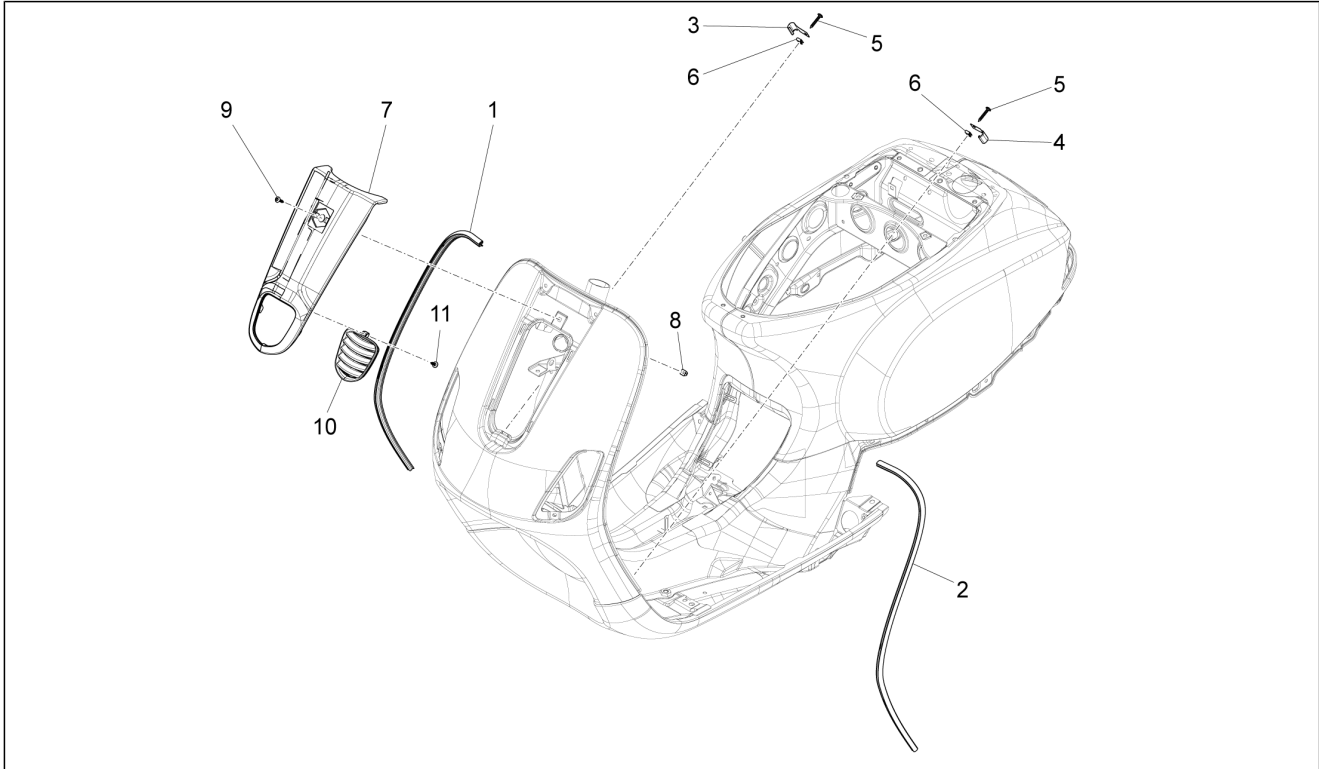
Pos.	Code	Description	Qty	Variants
				Model version: VXL Version[VXL] Colour: Azzurro provenza[296/A] Model version: VXL Version[VXL] Colour: Azzurro provenza[296/A] Model version: VXL Version[VXL] Colour: Azzurro provenza[296/A] Model version: VXL Version[VXL]
7	SB002066000Q8	Painted steering cover	1	Colour: Beige[514/A] Model version: VXL Version[VXL] Colour: Beige[514/A] Model version: VXL Version[VXL] Colour: Beige[514/A] Model version: VXL Version[VXL]
7	1B002509000AI	Painted steering cover	1	Colour: Orange 938/A[938/A] Model version: SXL Version[SXL]
7	SP1B002509000S9	Painted steering cover	1	Colour: Rosso 801/B[801/B] Model version: SXL Version[SXL]
7	SP1B002509000Q4	Painted steering cover	1	Colour: White Tech 505/A[505/A] Model version: SXL Version[SXL]
7	1B002066000BR	Painted steering cover	1	Colour: White[544] Model version: VX Version[VX] Colour: White[544] Model version: VX Version[VX] Colour: White[544] Model version: VX Version[VX]
7	1B002066000GP	Painted steering cover	1	Colour: Yellow lime[928/A] Model version: VX Version[VX] Colour: Yellow lime[928/A] Model version: VX Version[VX] Colour: Yellow lime[928/A] Model version: VX Version[VX] Colour: Yellow lime[928/A] Model version: VXL Version[VXL] Colour: Yellow lime[928/A] Model version: VXL Version[VXL] Colour: Yellow lime[928/A]

Group	Frame - Plastic parts - Coachwork
Code	02.26
Description	Front shield
Service	1



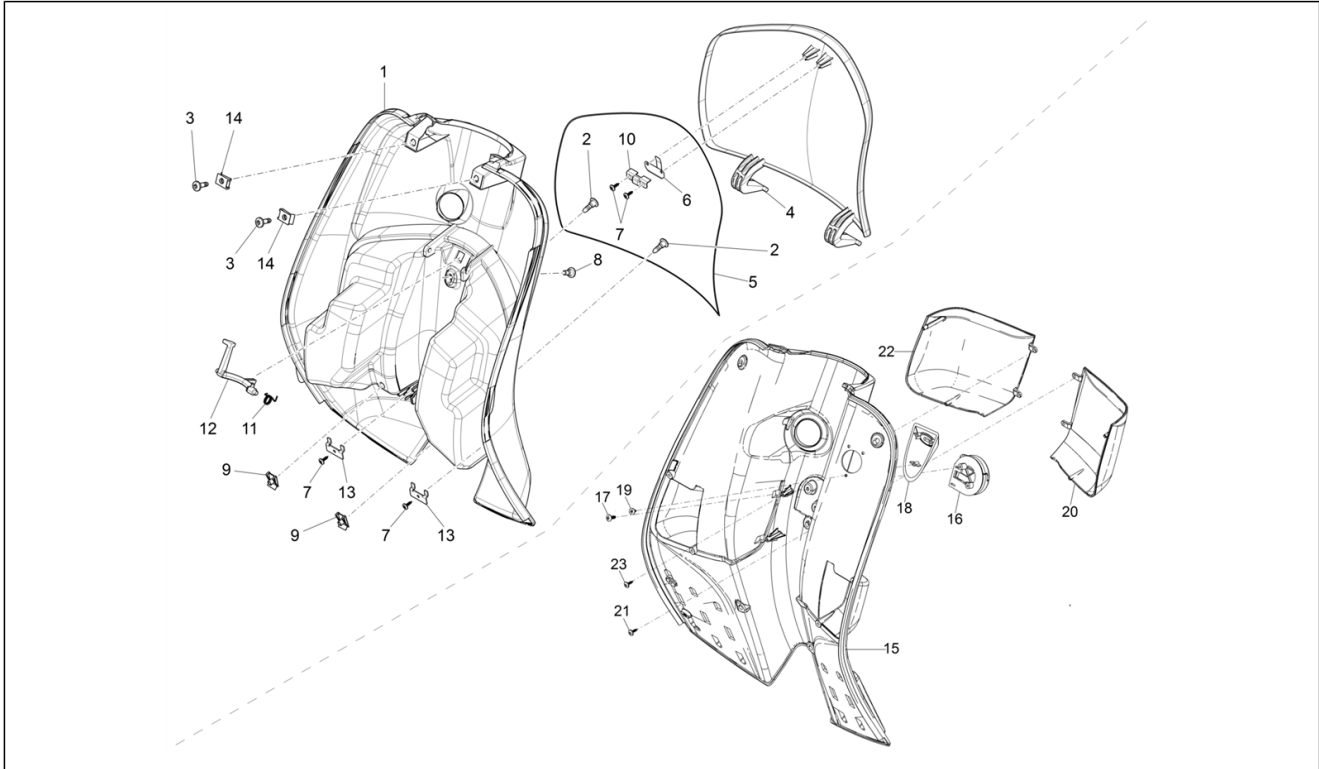
Pos.	Code	Description	Qty	Variants
				Model version: VXL Version[VXL] Colour: Yellow lime[928/A] Model version: VXL Version[VXL] Colour: Yellow lime[928/A] Model version: VXL Version[VXL]
7	S00206600NL	Painted steering cover	1	Colour: BLACK[85/B] Model version: VX Version[VX] Colour: BLACK[85/B] Model version: VXL Version[VXL] Colour: BLACK[85/B] Model version: VXL Version[VXL] Colour: BLACK[85/B] Model version: VXL Version[VXL] Colour: BLACK[85/B] Model version: VX Version[VX] Colour: BLACK[85/B] Model version: VX Version[VX] Colour: BLACK[85/B] Model version: VXL Version[VXL] Colour: BLACK[85/B] Model version: VXL Version[VXL]
7	1B002066000R7	Painted steering cover	1	Colour: DRAGON RED[894] Model version: VX Version[VX] Colour: DRAGON RED[894] Model version: VX Version[VX] Colour: DRAGON RED[894] Model version: VX Version[VX] Colour: DRAGON RED[894] Model version: VXL Version[VXL] Colour: DRAGON RED[894] Model version: VXL Version[VXL] Colour: DRAGON RED[894] Model version: VXL Version[VXL] Colour: DRAGON RED[894] Model version: VXL Version[VXL] Colour: DRAGON RED[894] Model version: VXL Version[VXL]

Group	Frame - Plastic parts - Coachwork
Code	02.26
Description	Front shield
Service	1



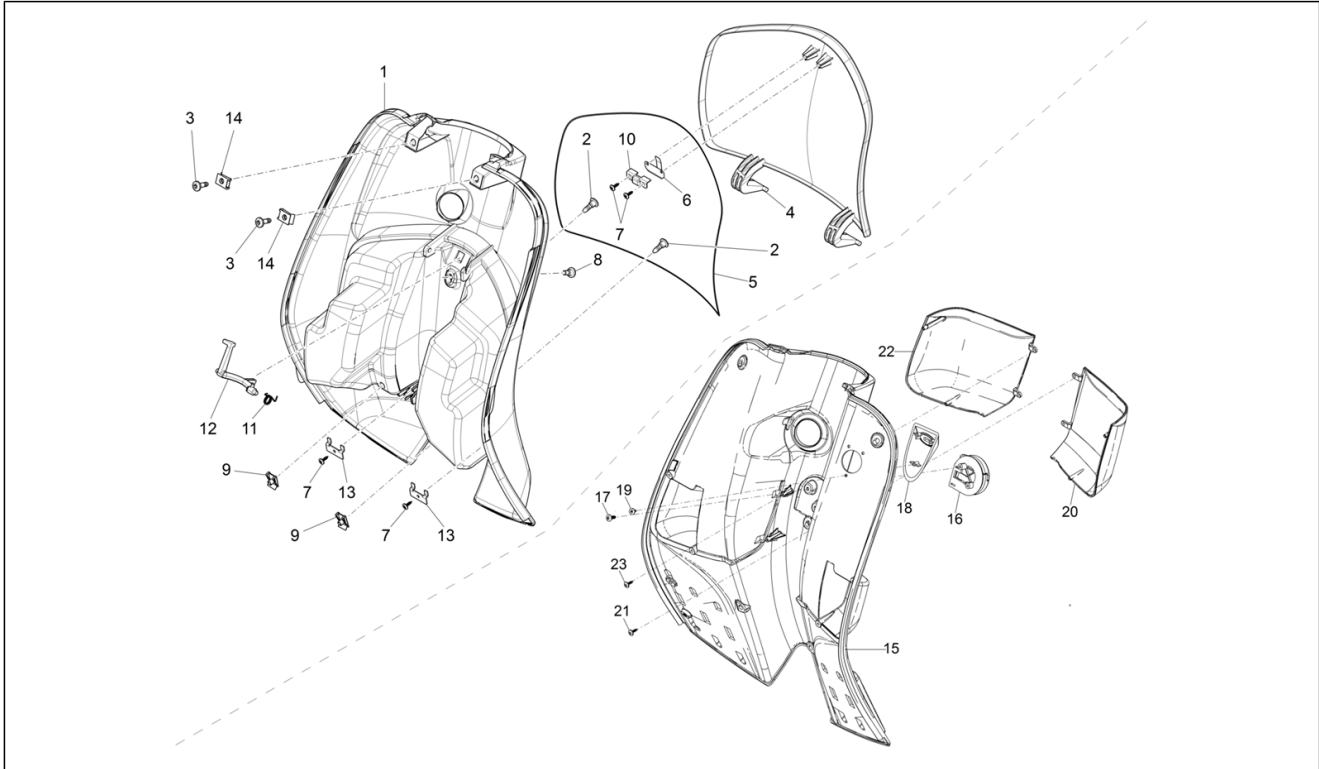
Pos.	Code	Description	Qty	Variants
7	SP1B002509000LC	Painted steering cover	1	Colour: Giallo 980/A[980/A] Model version: SXL Version[SXL]
7	S00250900NL	Painted steering cover	1	Colour: BLACK[85/B] Model version: SXL Version[SXL]
7	S00250900T5	Painted steering cover	1	Colour: Blue 277/A[277/A] Model version: SXL Version[SXL]
7	1B002509	Steering cover	1	Model version: SXL Version[SXL]
8	157716	Expansion plug	1	
9	267958	Self tapping screw L=20 mm	1	
10	1B002222	Steering cover grille	1	Model version: VX Version[VX] VXL Version[VXL]
10	1B002602	Steering cover grille	1	Model version: SXL Version[SXL]
11	008432	screw M3,5x9,5	1	

Group	Frame - Plastic parts - Coachwork
Code	02.30
Description	Front glove-box - Knee-guard panel
Service	1



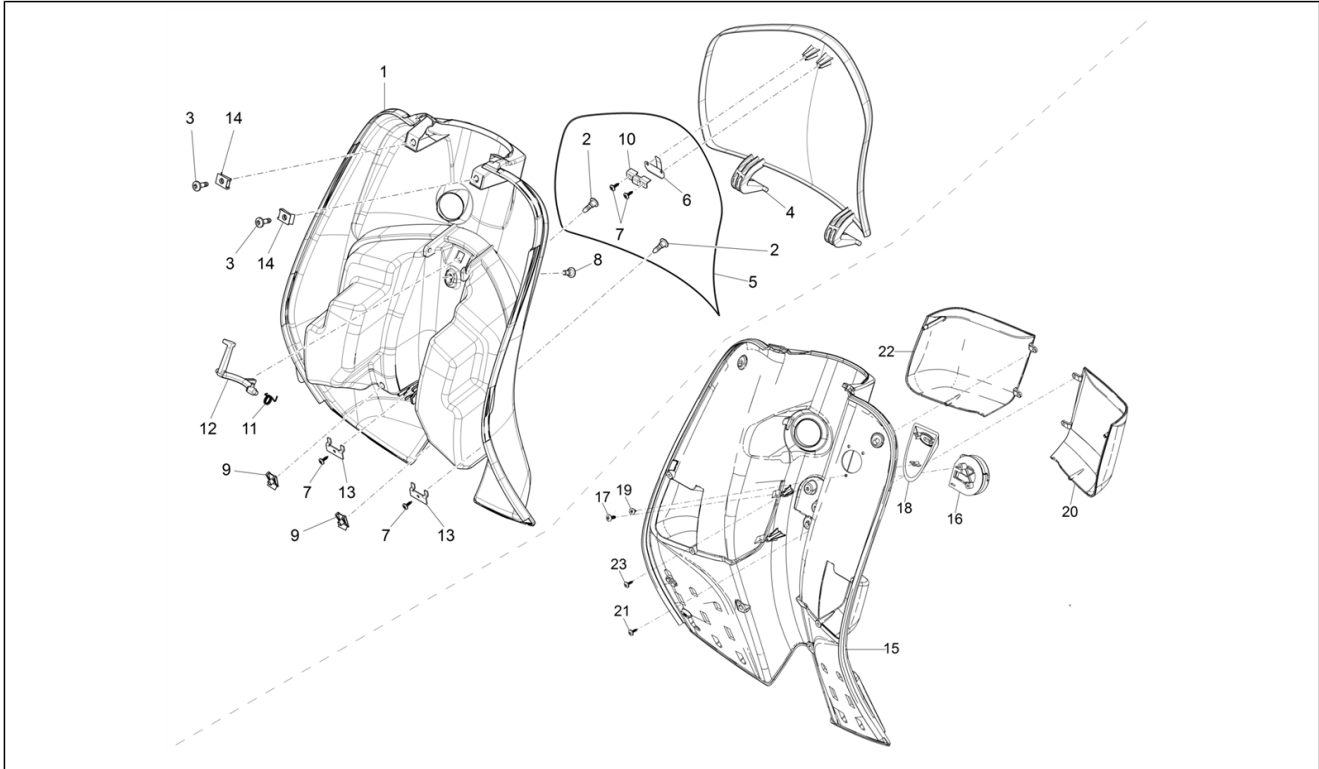
Pos.	Code	Description	Qty	Variants
1	SP1B006305000Q4	Front top box	1	Colour:White Tech 505/A[505/A] Model version:VXL Version[VXL]
1	S67434600Q4	Front top box	1	Colour:White Tech 505/A[505/A] Model version:VXL Version[VXL] Colour:White Tech 505/A[505/A] Model version:VXL Version[VXL] Colour:White Tech 505/A[505/A] Model version:VXL Version[VXL] Colour:White Tech 505/A[505/A] Model version:VXL Version[VXL] Colour:White Tech 505/A[505/A] Model version:VXL Version[VXL]
1	S67434600HL	Front glove comp.	1	Colour:Grey[700/C] Model version:VXL Version[VXL] Colour:Grey[700/C] Model version:VXL Version[VXL] Colour:Grey[700/C] Model version:VXL Version[VXL] Colour:Grey[700/C] Model version:VXL Version[VXL] Colour:Grey[700/C] Model version:VXL Version[VXL]
1	SP67434600D02	Front top box	1	Colour:Azzurro provenza[296/A] Model version:VXL Version[VXL] Colour:Azzurro provenza[296/A] Model version:VXL Version[VXL] Colour:Azzurro provenza[296/A] Model version:VXL Version[VXL] Colour:Azzurro provenza[296/A] Model version:VXL Version[VXL] Colour:Azzurro provenza[296/A] Model version:VXL Version[VXL]
1	S67434600Q8	Front glove comp.	1	Colour:Beige[514/A] Model version:VXL Version[VXL] Colour:Beige[514/A] Model version:VXL Version[VXL]

Group	Frame - Plastic parts - Coachwork
Code	02.30
Description	Front glove-box - Knee-guard panel
Service	1



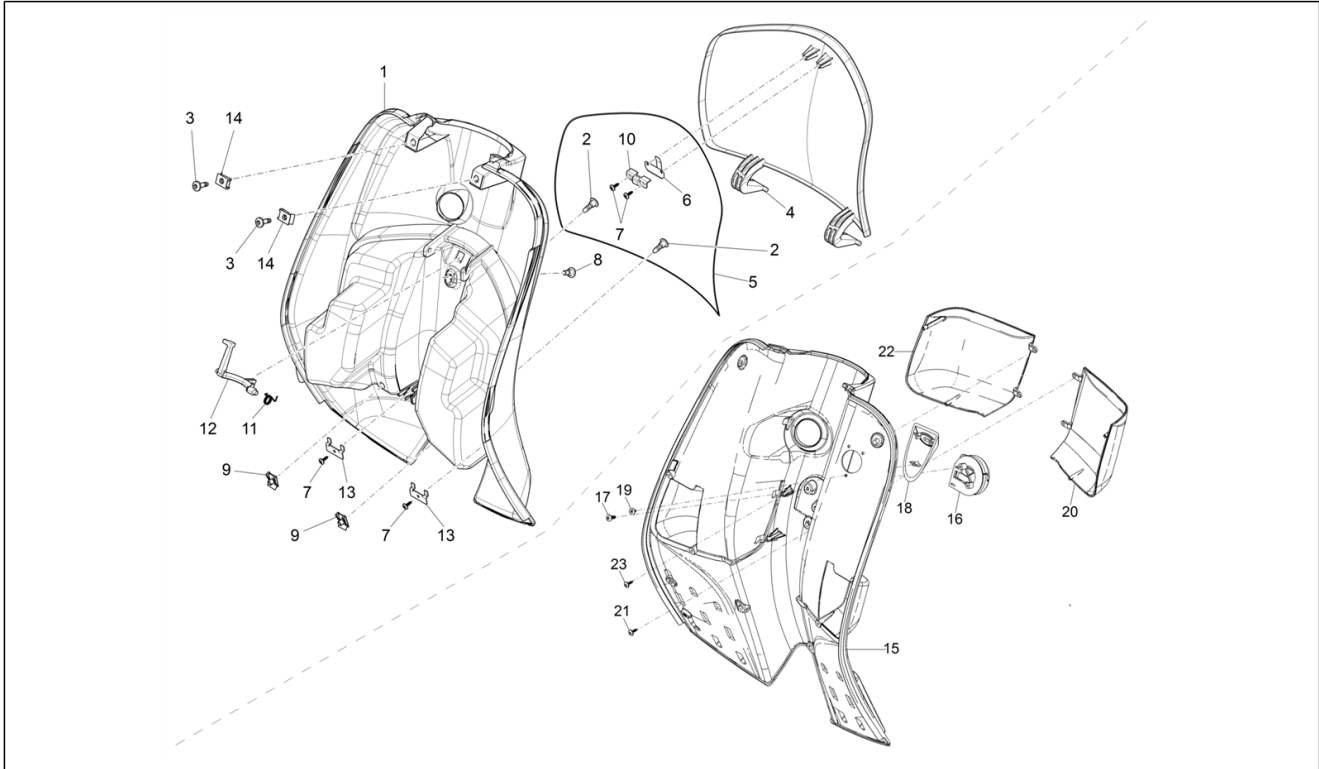
Pos.	Code	Description	Qty	Variants
1	R674346	Unfinished front top box	1	
1	S67434600BR	Front glove comp.	1	Colour: White[544] Model version: VX Version[VX] Colour: White[544] Model version: VX Version[VX] Colour: White[544] Model version: VX Version[VX]
1	S67434600GP	Front glove comp.	1	Colour: Yellow lime[928/A] Model version: VX Version[VX] Colour: Yellow lime[928/A] Model version: VX Version[VX] Colour: Yellow lime[928/A] Model version: VX Version[VX] Colour: Yellow lime[928/A] Model version: VXL Version[VXL] Colour: Yellow lime[928/A] Model version: VXL Version[VXL] Colour: Yellow lime[928/A] Model version: VXL Version[VXL] Colour: Yellow lime[928/A] Model version: VXL Version[VXL] Colour: Yellow lime[928/A] Model version: VXL Version[VXL]
1	S67434600NL	Front glove comp.	1	Colour: BLACK[85/B] Model version: VX Version[VX] Colour: BLACK[85/B] Model version: VXL Version[VXL] Colour: BLACK[85/B] Model version: VXL Version[VXL] Colour: BLACK[85/B] Model version: VXL Version[VXL] Colour: BLACK[85/B] Model version: VX Version[VX] Colour: BLACK[85/B] Model version: VX Version[VX] Colour: BLACK[85/B] Model version: VXL Version[VXL]

Group	Frame - Plastic parts - Coachwork
Code	02.30
Description	Front glove-box - Knee-guard panel
Service	1



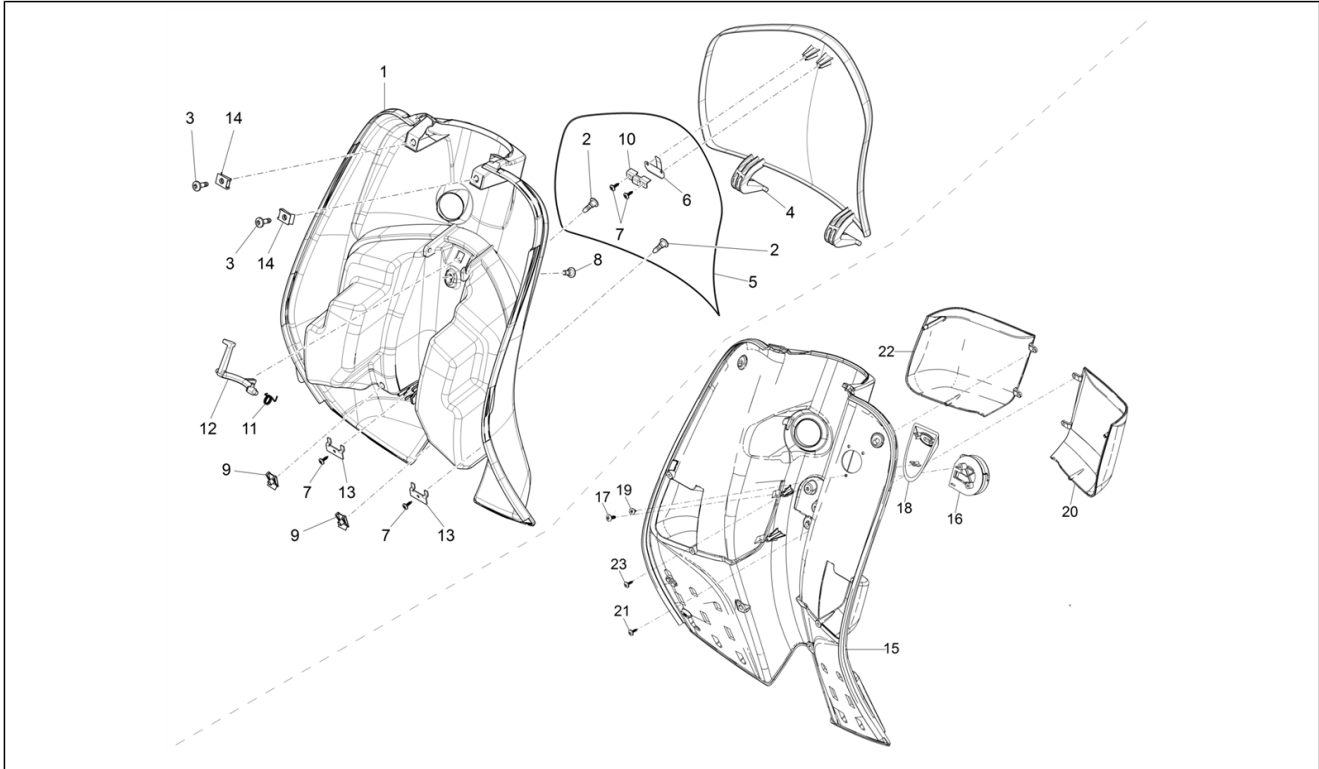
Pos.	Code	Description	Qty	Variants
1	S67434600R7	Front glove comp.	1	Colour:BLACK[85/B] Model version:VXL Version[VXL]
1	SP67434600T5	Front top box	1	Colour:Blue 277/A[277/A] Model version:VXL Version[VXL]
1	SP1B006305000Q8	Front glove comp.	1	Colour:Beige[514/A] Model version:VXL Version[VXL]
1	SP1B006305000D02	Front glove comp.	1	Colour:Azzurro provenza[296/A] Model version:VXL Version[VXL]
1	R1B006305	Unfinished front top box	1	
2	CM179302	Metric screw TBC	2	
3	575249	Metric screw TBC	2	
4	R675518	Unfinished top box door	1	
4	S67551800Q4	Glove compartment door	1	Colour:White Tech 505/A[505/A] Model version:VXL Version[VXL] Colour:White Tech 505/A[505/A] Model version:VXL Version[VXL] Colour:White Tech 505/A[505/A] Model version:VXL Version[VXL] Colour:White Tech 505/A[505/A]

Group	Frame - Plastic parts - Coachwork
Code	02.30
Description	Front glove-box - Knee-guard panel
Service	1



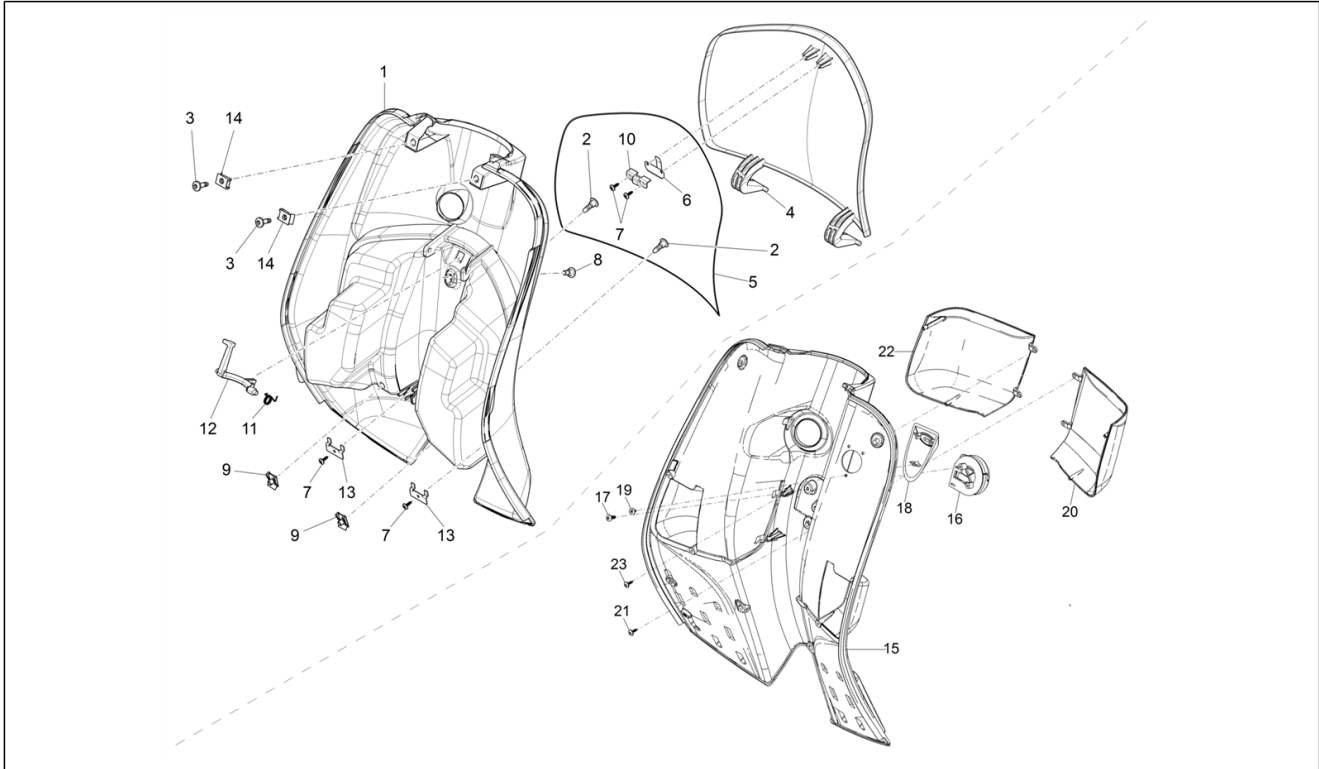
Pos.	Code	Description	Qty	Variants
				Model version: VXL Version[VXL] Colour: White Tech 505/A[505/A] Model version: VXL Version[VXL] Colour: White Tech 505/A[505/A] Model version: VXL Version[VXL]
4	SP67551800D02	Glove compartment door	1	Colour: Azzurro provenza[296/A] Model version: VXL Version[VXL] Colour: Azzurro provenza[296/A] Model version: VXL Version[VXL] Colour: Azzurro provenza[296/A] Model version: VXL Version[VXL] Colour: Azzurro provenza[296/A] Model version: VXL Version[VXL] Colour: Azzurro provenza[296/A] Model version: VXL Version[VXL] Colour: Azzurro provenza[296/A] Model version: VXL Version[VXL]
4	SP67551800T5	Glove compartment door	1	Colour: Blue 277/A[277/A] Model version: VXL Version[VXL]
4	S67551800HL	Glove compartment door	1	Colour: Grey[700/C] Model version: VXL Version[VXL] Colour: BLACK[85/B] Model version: VXL Version[VXL] Colour: Grey[700/C] Model version: VXL Version[VXL] Colour: Grey[700/C] Model version: VXL Version[VXL] Colour: Grey[700/C] Model version: VXL Version[VXL]
4	S67551800Q8	Glove compartment door	1	Colour: Beige[514/A] Model version: VXL Version[VXL] Colour: Beige[514/A] Model version: VXL Version[VXL]
4	S67551800BR	Glove compartment door	1	Colour: White[544] Model version: VX Version[VX] Colour: White[544]

Group	Frame - Plastic parts - Coachwork
Code	02.30
Description	Front glove-box - Knee-guard panel
Service	1



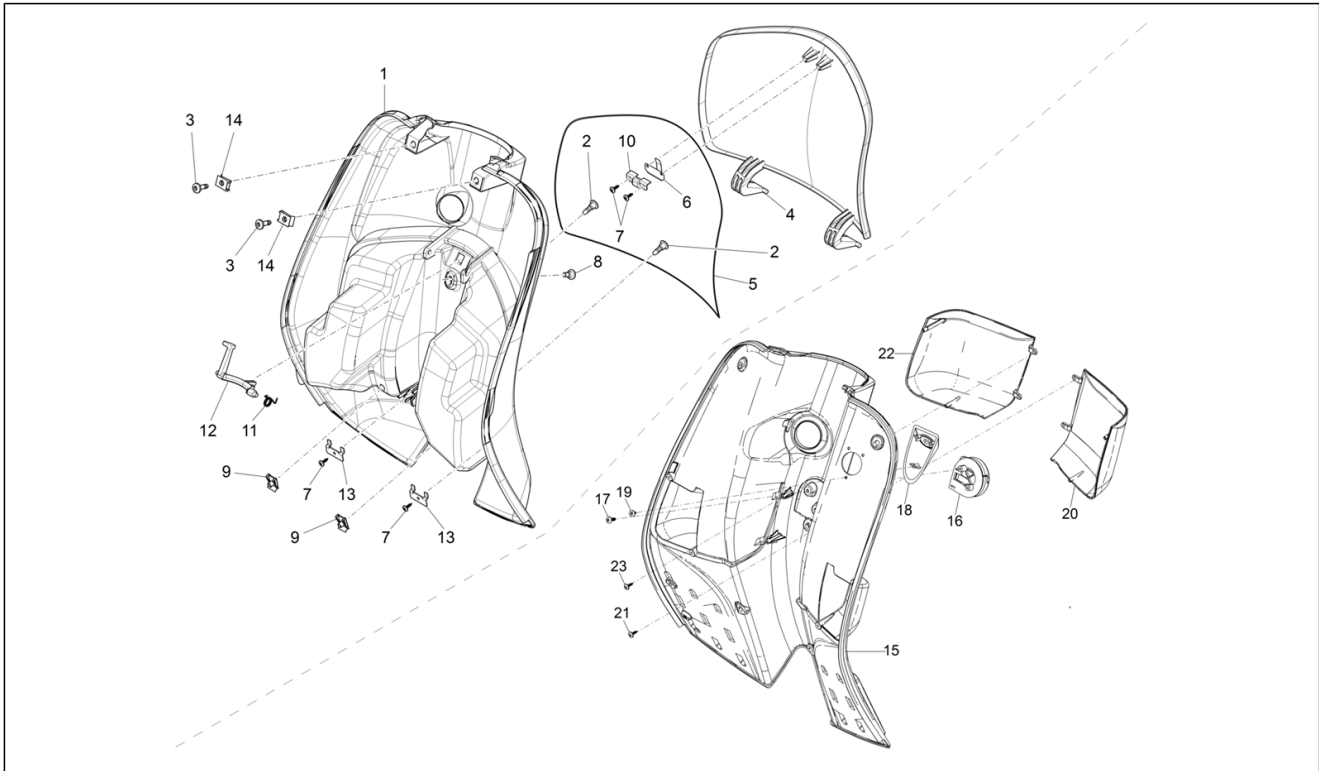
Pos.	Code	Description	Qty	Variants
				Model version: VX Version[VX] Colour: White[544] Model version: VX Version[VX]
4	S67551800GP	Glove compartment door	1	Colour: Yellow lime[928/A] Model version: VX Version[VX] Colour: Yellow lime[928/A] Model version: VX Version[VX] Colour: Yellow lime[928/A] Model version: VX Version[VX] Colour: Yellow lime[928/A] Model version: VXL Version[VXL] Colour: Yellow lime[928/A] Model version: VXL Version[VXL] Colour: Yellow lime[928/A] Model version: VXL Version[VXL] Colour: Yellow lime[928/A] Model version: VXL Version[VXL] Colour: DRAGON RED[894] Model version: VXL Version[VXL]
4	S67551800NL	Glove compartment door	1	Colour: BLACK[85/B] Model version: VX Version[VX] Colour: BLACK[85/B] Model version: VXL Version[VXL] Colour: BLACK[85/B] Model version: VXL Version[VXL] Colour: BLACK[85/B] Model version: VXL Version[VXL] Colour: BLACK[85/B] Model version: VX Version[VX] Colour: BLACK[85/B] Model version: VX Version[VX] Colour: BLACK[85/B] Model version: VXL Version[VXL] Colour: BLACK[85/B] Model version: VXL Version[VXL]
4	S67551800R7	Glove compartment door	1	Colour: DRAGON RED[894] Model version: VX Version[VX]

Group	Frame - Plastic parts - Coachwork
Code	02.30
Description	Front glove-box - Knee-guard panel
Service	1



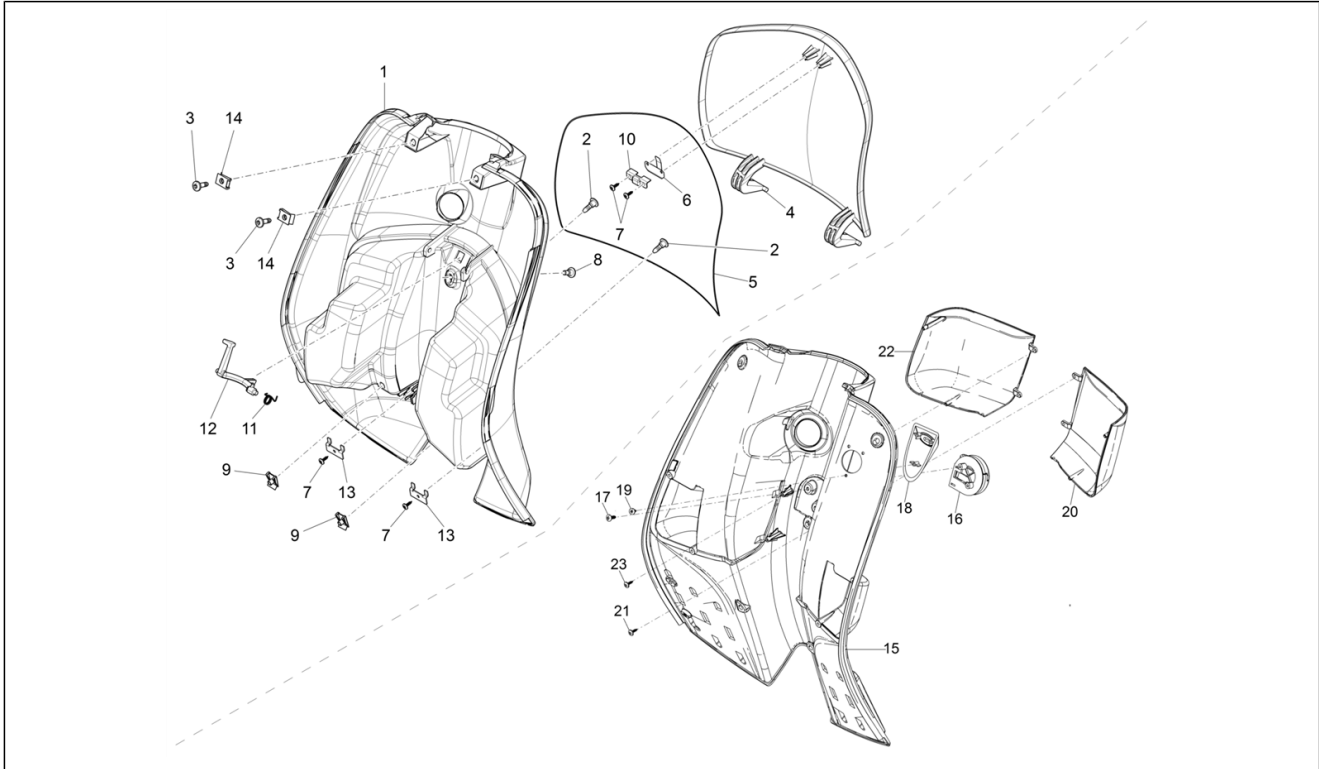
Pos.	Code	Description	Qty	Variants
				Colour: DRAGON RED[894] Model version: VX Version[VX] Colour: DRAGON RED[894] Model version: VX Version[VX] Colour: DRAGON RED[894] Model version: VXL Version[VXL] Colour: DRAGON RED[894] Model version: VXL Version[VXL] Colour: DRAGON RED[894] Model version: VXL Version[VXL] Colour: DRAGON RED[894] Model version: VXL Version[VXL] Colour: DRAGON RED[894] Model version: VXL Version[VXL]
5	297275	Gasket	1	
6	573057	Locking plate	1	
7	297498	Self tapping screw	4	
8	259348	Metric screw TBC	1	
9	254485	Spring plate M6	2	
10	252420	Square	1	
11	257617	Spring	1	
12	295528	Hook	1	
13	257614	Door fixing bracket	2	
14	254485	Spring plate M6	2	
15	S00000441AI	Painted leg shield back plate	1	Colour: Orange 938/A[938/A] Model version: SXL Version[SXL]
15	SP1B000441000LC	Painted leg shield back plate	1	Colour: Giallo 980/A[980/A] Model version: SXL Version[SXL]
15	S00000441NL	Painted leg shield back plate	1	Colour: BLACK[85/B] Model version: SXL Version[SXL]
15	SP1B000441000Q4	Painted leg shield back plate	1	Colour: White Tech 505/A[505/A] Model version: SXL Version[SXL]
15	S00044100T5	Painted leg shield back plate	1	Colour: Blue 277/A[277/A]

Group	Frame - Plastic parts - Coachwork
Code	02.30
Description	Front glove-box - Knee-guard panel
Service	1



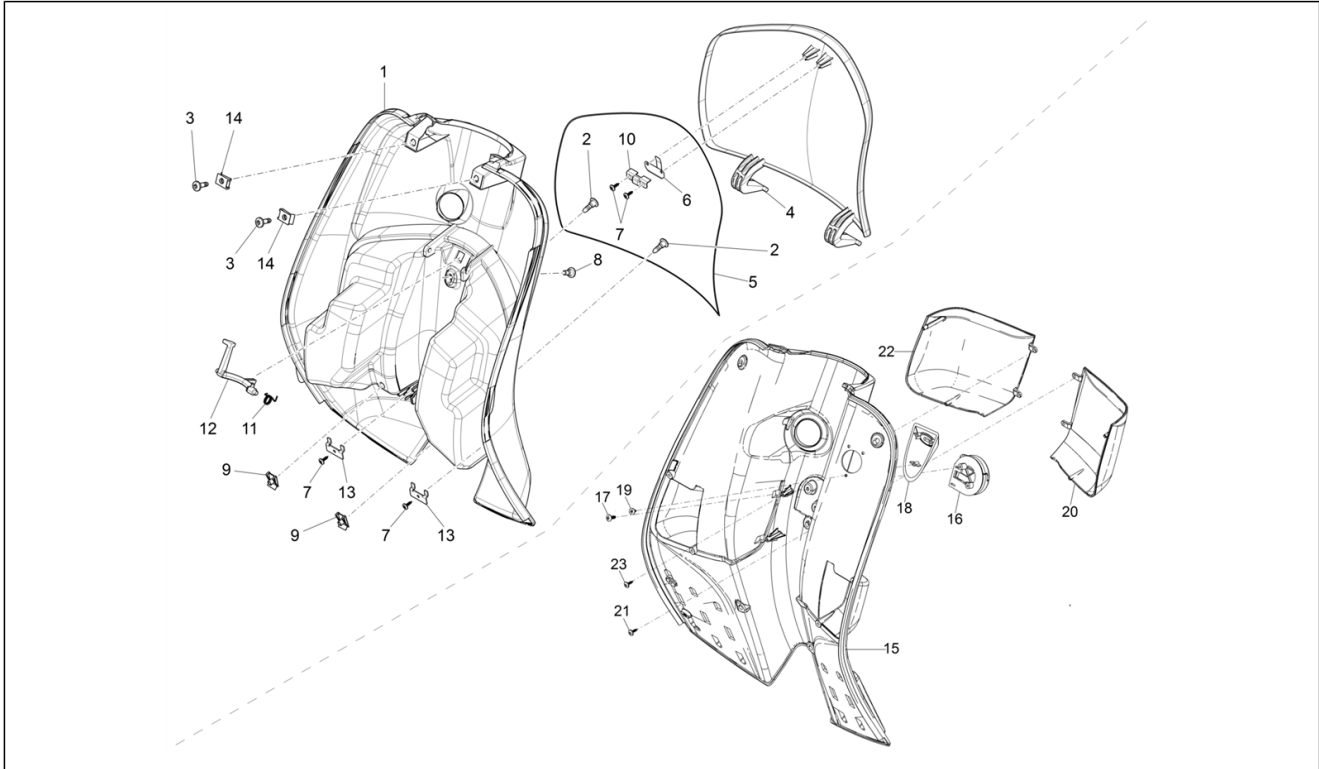
Pos.	Code	Description	Qty	Variants
				Model version: SXL Version[SXL]
15	R1B000441	Counter shield raw	1	Model version: SXL Version[SXL] Colour: Rosso 801/B[801/B] Model version: SXL Version[SXL] Colour: BLACK[85/B] Model version: SXL Version[SXL] Colour: White Tech 505/A[505/A] Model version: SXL Version[SXL] Colour: Blue 277/A[277/A] Model version: SXL Version[SXL] Colour: Orange 938/A[938/A] Model version: SXL Version[SXL] Colour: Giallo 980/A[980/A] Model version: SXL Version[SXL]
15	SP1B000441000S9	Painted leg shield back plate	1	Colour: Rosso 801/B[801/B] Model version: SXL Version[SXL]
16	575819	Bag holder hook	1	
17	CM178603	Self tapping screw D4.2x13	2	
18	SP1B000438000T5	Protection starter transmission	1	Colour: Blue 277/A[277/A] Model version: SXL Version[SXL]
18	SP1B000438000AI	Protection starter transmission	1	Colour: Orange 938/A[938/A] Model version: SXL Version[SXL]
18	SP1B000438000S9	Protection starter transmission	1	Colour: Rosso 801/B[801/B] Model version: SXL Version[SXL]
18	SP1B000438000LC	Protection starter transmission	1	Colour: Giallo 980/A[980/A] Model version: SXL Version[SXL]
18	SP1B000438000NL	Protection starter transmission	1	Colour: BLACK[85/B] Model version: SXL Version[SXL]
18	SP1B000438000Q4	Protection starter transmission	1	Colour: White Tech 505/A[505/A] Model version: SXL Version[SXL]
19	297498	Self tapping screw	3	
20	65429400AI	Left hoder	1	Colour: Orange 938/A[938/A] Model version: SXL Version[SXL]

Group	Frame - Plastic parts - Coachwork
Code	02.30
Description	Front glove-box - Knee-guard panel
Service	1



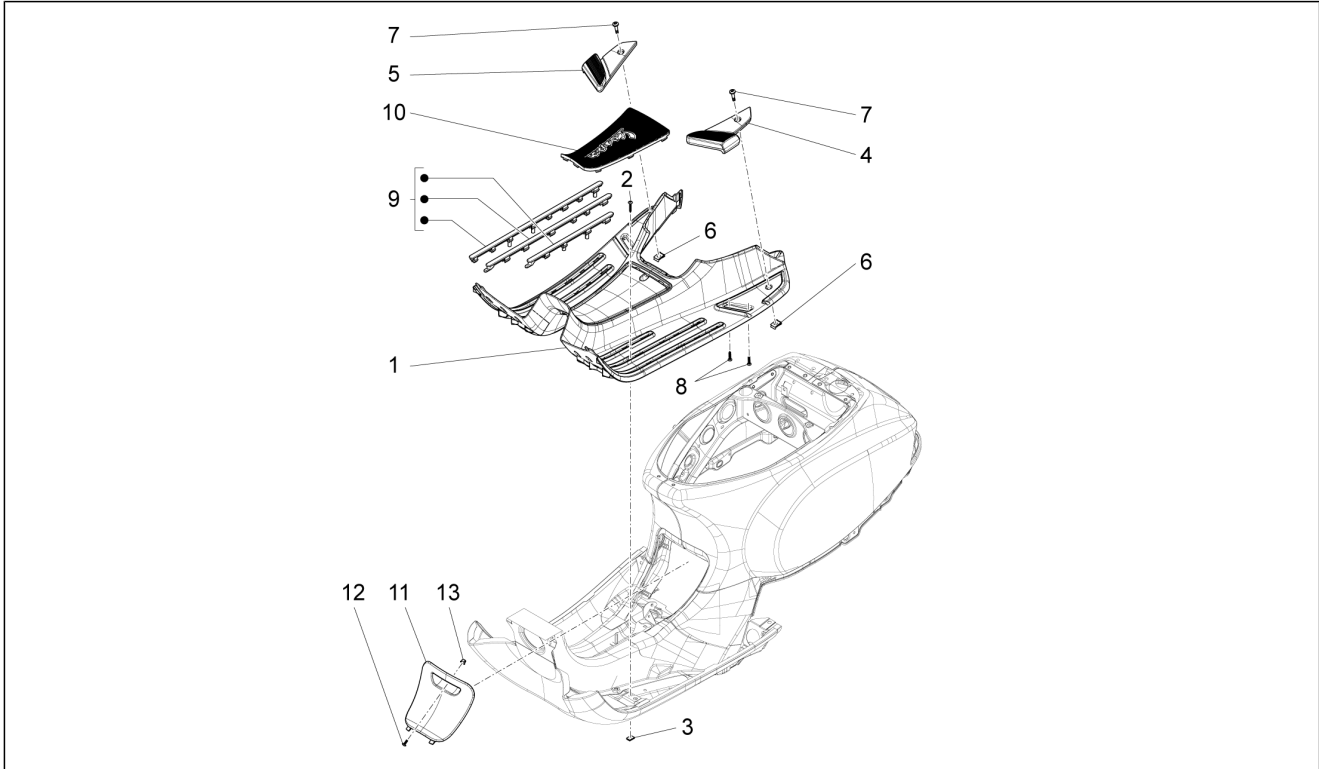
Pos.	Code	Description	Qty	Variants
20	654294	Left hoder raw	1	Colour: Rosso 801/B[801/B] Model version: SXL Version[SXL] Colour: BLACK[85/B] Model version: SXL Version[SXL] Colour: White Tech 505/A[505/A] Model version: SXL Version[SXL] Colour: Blue 277/A[277/A] Model version: SXL Version[SXL] Colour: Orange 938/A[938/A] Model version: SXL Version[SXL] Colour: Giallo 980/A[980/A] Model version: SXL Version[SXL]
20	SP65429400LC	Left hoder	1	Colour: Giallo 980/A[980/A] Model version: SXL Version[SXL]
20	65429400NL	Left hoder	1	Colour: BLACK[85/B] Model version: SXL Version[SXL]
20	SP65429400Q4	Left hoder	1	Colour: White Tech 505/A[505/A] Model version: SXL Version[SXL]
20	SP65429400S9	Left hoder	1	Colour: Rosso 801/B[801/B] Model version: SXL Version[SXL]
20	S65429400T5	Left hoder	1	Colour: Blue 277/A[277/A] Model version: SXL Version[SXL]
21	297498	Self tapping screw	4	
22	654295	Right glovebox raw	1	Colour: Rosso 801/B[801/B] Model version: SXL Version[SXL] Colour: BLACK[85/B] Model version: SXL Version[SXL] Colour: White Tech 505/A[505/A] Model version: SXL Version[SXL] Colour: Blue 277/A[277/A] Model version: SXL Version[SXL] Colour: Orange 938/A[938/A] Model version: SXL Version[SXL] Colour: Giallo 980/A[980/A] Model version: SXL Version[SXL]

Group	Frame - Plastic parts - Coachwork
Code	02.30
Description	Front glove-box - Knee-guard panel
Service	1



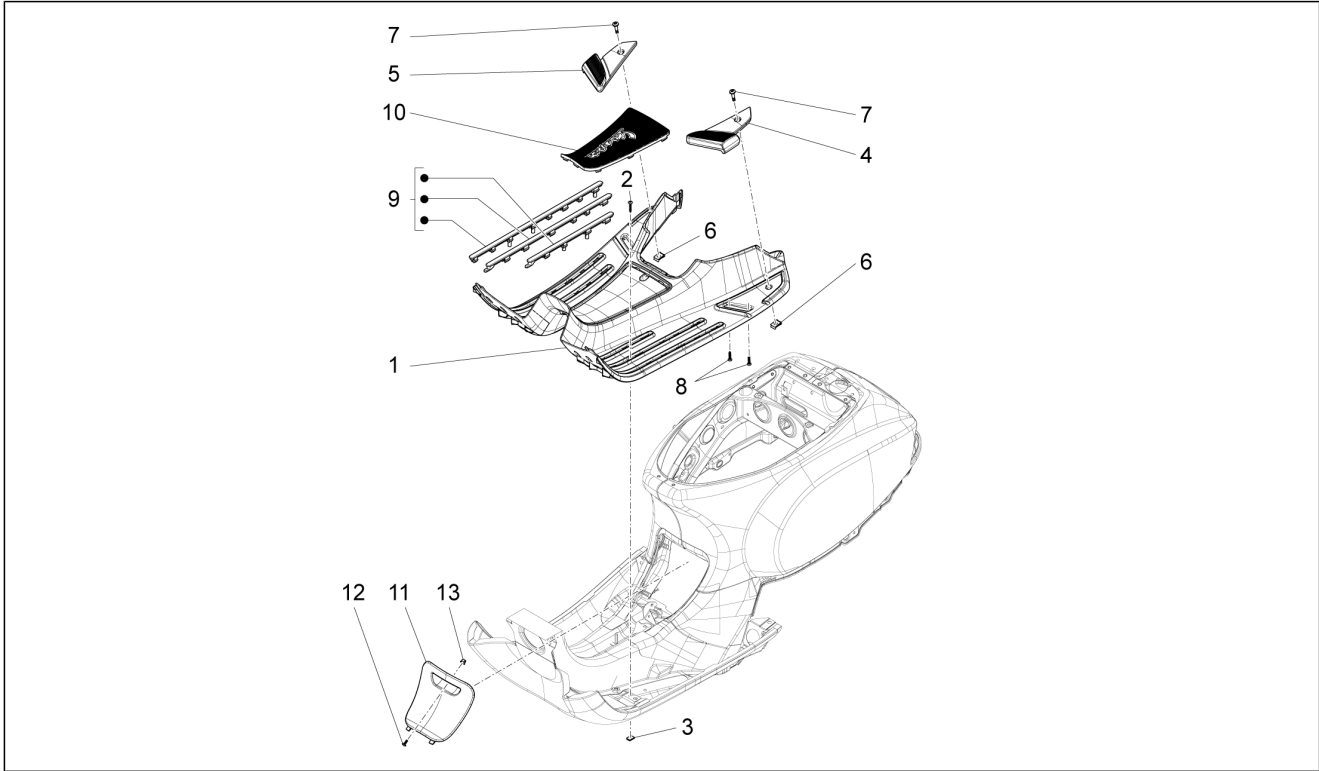
Pos.	Code	Description	Qty	Variants
22	65429500AI	Right glovebox painted	1	Colour: Orange 938/A[938/A] Model version: SXL Version[SXL]
22	SP65429500LC	Right glovebox painted	1	Colour: Giallo 980/A[980/A] Model version: SXL Version[SXL]
22	65429500NL	Right glovebox painted	1	Colour: BLACK[85/B] Model version: SXL Version[SXL]
22	S65429500T5	Right glovebox painted	1	Colour: Blue 277/A[277/A] Model version: SXL Version[SXL]
22	SP65429500Q4	Right glovebox painted	1	Colour: White Tech 505/A[505/A] Model version: SXL Version[SXL]
22	SP65429500S9	Right glovebox painted	1	Colour: Rosso 801/B[801/B] Model version: SXL Version[SXL]
23	297498	Self tapping screw	4	

Group	Frame - Plastic parts - Coachwork
Code	02.31
Description	Central cover - Footrests
Service	1



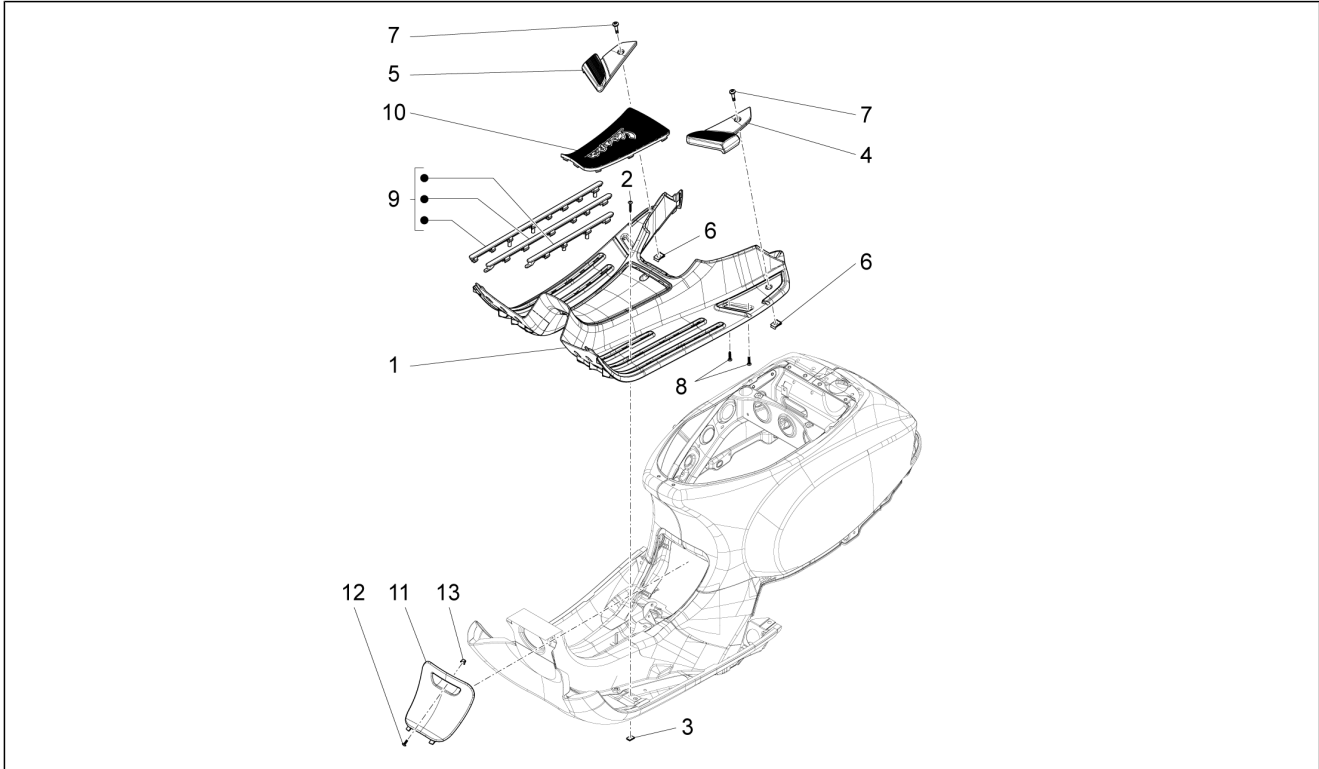
Pos.	Code	Description	Qty	Variants
1	SP1B005791000AI	Painted footrest	1	Colour: Orange 938/A[938/A] Model version: SXL Version[SXL]
1	SP1B005791000LC	Painted footrest	1	Colour: Giallo 980/A[980/A] Model version: SXL Version[SXL]
1	SP1B005791000Q4	Painted footrest	1	Colour: White Tech 505/A[505/A] Model version: VXL Version[VXL] Colour: White Tech 505/A[505/A] Model version: VXL Version[VXL] Colour: White Tech 505/A[505/A] Model version: VXL Version[VXL] Colour: White Tech 505/A[505/A] Model version: VXL Version[VXL] Colour: White Tech 505/A[505/A] Model version: SXL Version[SXL] Colour: White Tech 505/A[505/A] Model version: VXL Version[VXL] Colour: White Tech 505/A[505/A] Model version: VXL Version[VXL]
1	SP1B005791000T5	Painted footrest	1	Colour: Blue 277/A[277/A] Model version: VXL Version[VXL] Colour: Blue 277/A[277/A] Model version: SXL Version[SXL]
1	SP1B005791000HL	Painted footrest	1	Colour: Grey[700/C] Model version: VXL Version[VXL] Colour: Grey[700/C] Model version: VXL Version[VXL] Colour: Grey[700/C] Model version: VXL Version[VXL] Colour: Grey[700/C] Model version: VXL Version[VXL] Colour: Grey[700/C] Model version: VXL Version[VXL]
1	SP1B005791000D02	Painted footrest	1	Colour: Azzurro provenza[296/A] Model version: VXL Version[VXL] Colour: Azzurro provenza[296/A] Model version: VXL Version[VXL]

Group	Frame - Plastic parts - Coachwork
Code	02.31
Description	Central cover - Footrests
Service	1



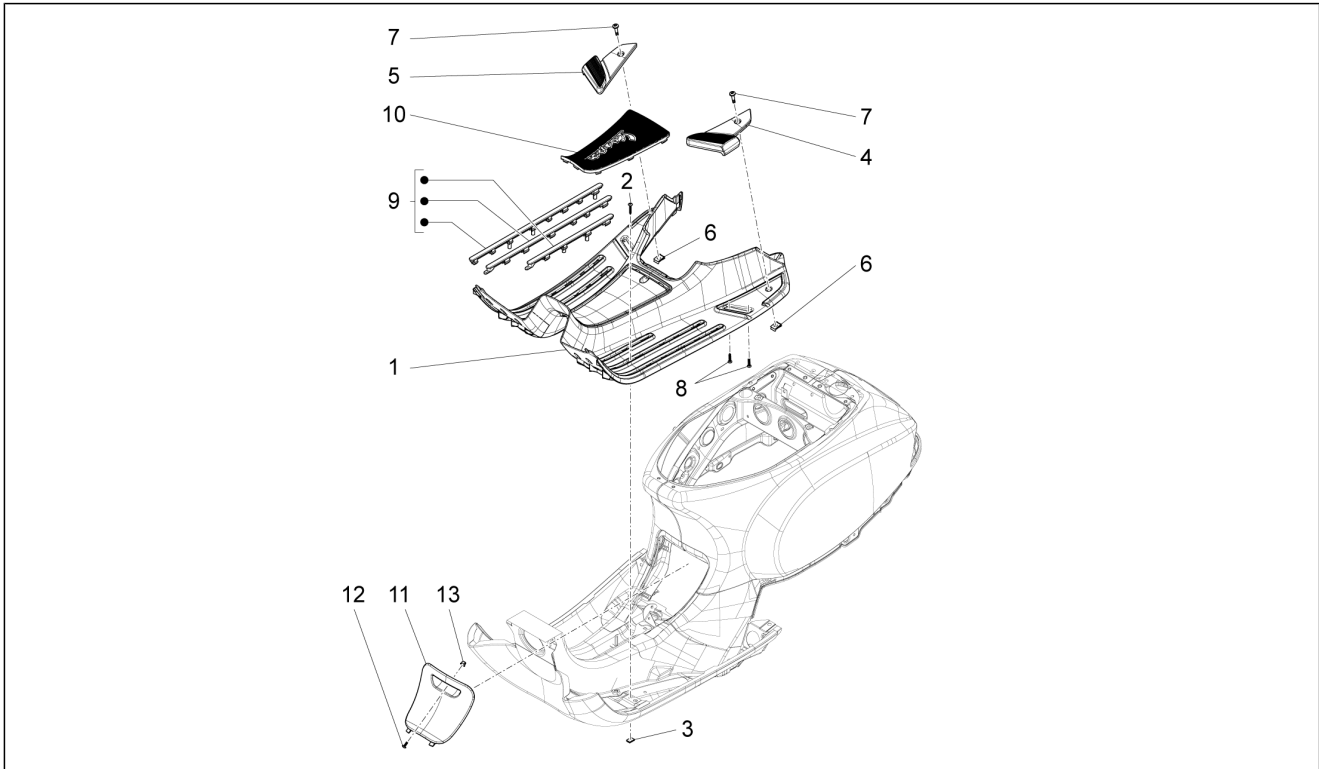
Pos.	Code	Description	Qty	Variants
				Colour: Azzurro provenza[296/A] Model version: VXL Version[VXL] Colour: Azzurro provenza[296/A] Model version: VXL Version[VXL]
1	SP1B005791000Q8	Painted footrest	1	Colour: Beige[514/A] Model version: VXL Version[VXL] Colour: Beige[514/A] Model version: VXL Version[VXL] Colour: Beige[514/A] Model version: VXL Version[VXL]
1	R1B005791	Unfinished foot board	1	
1	SP1B005791000BR	Painted footrest	1	Colour: White[544] Model version: VX Version[VX] Colour: White[544] Model version: VX Version[VX] Colour: White[544] Model version: VX Version[VX]
1	SP1B005791000GP	Painted footrest	1	Colour: Yellow lime[928/A] Model version: VX Version[VX] Colour: Yellow lime[928/A] Model version: VX Version[VX] Colour: Yellow lime[928/A] Model version: VX Version[VX] Colour: Yellow lime[928/A] Model version: VXL Version[VXL] Colour: Yellow lime[928/A] Model version: VXL Version[VXL] Colour: Yellow lime[928/A] Model version: VXL Version[VXL] Colour: Yellow lime[928/A] Model version: VXL Version[VXL] Colour: Yellow lime[928/A] Model version: VXL Version[VXL]
1	SP1B005791000NL	Painted footrest	1	Colour: BLACK[85/B] Model version: VX Version[VX] Colour: BLACK[85/B]

Group	Frame - Plastic parts - Coachwork
Code	02.31
Description	Central cover - Footrests
Service	1



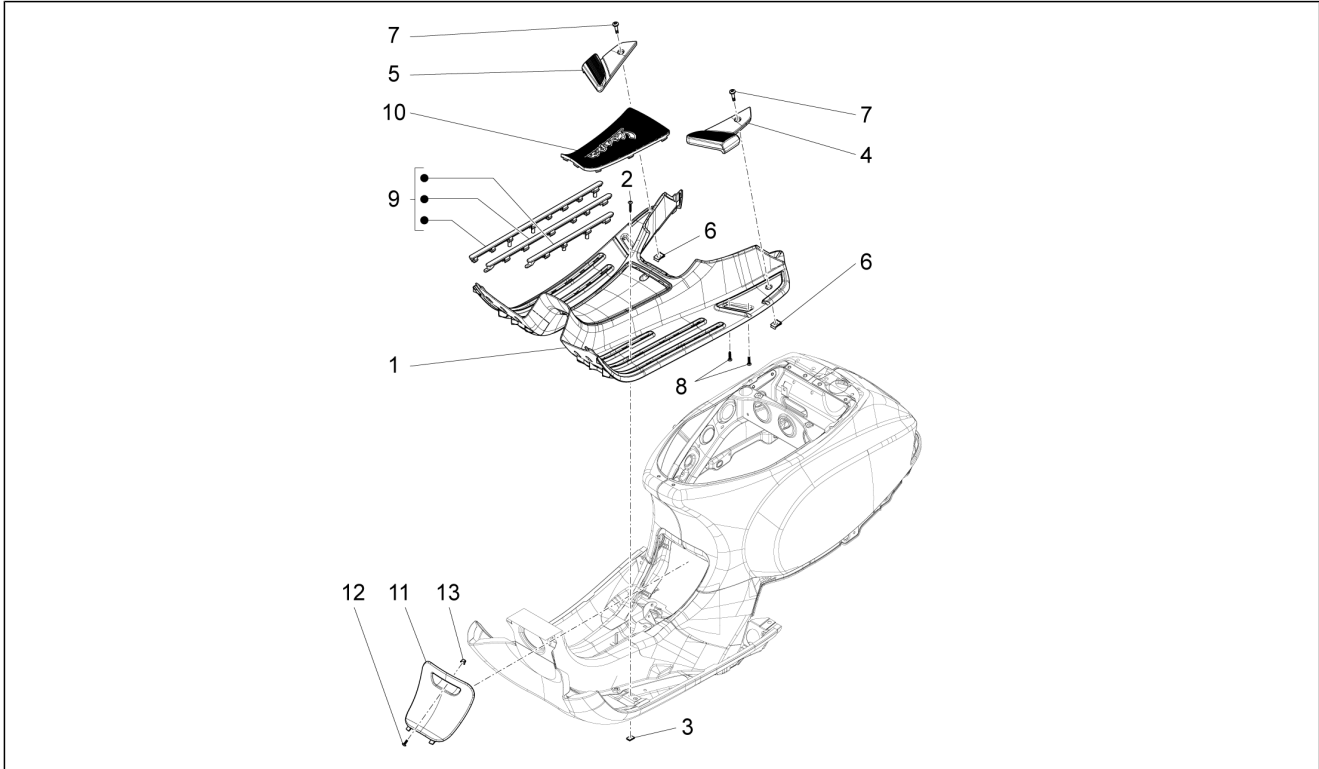
Pos.	Code	Description	Qty	Variants
				Model version: VXL Version[VXL] Colour: BLACK[85/B] Model version: VXL Version[VXL] Colour: BLACK[85/B] Model version: VXL Version[VXL] Colour: BLACK[85/B] Model version: VX Version[VX] Colour: BLACK[85/B] Model version: VX Version[VX] Colour: BLACK[85/B] Model version: SXL Version[SXL] Colour: BLACK[85/B] Model version: VXL Version[VXL] Colour: BLACK[85/B] Model version: VXL Version[VXL]
1	SP1B005791000R7	Painted footrest	1	Colour: DRAGON RED[894] Model version: VX Version[VX] Colour: DRAGON RED[894] Model version: VX Version[VX] Colour: DRAGON RED[894] Model version: VX Version[VX] Colour: DRAGON RED[894] Model version: VXL Version[VXL] Colour: DRAGON RED[894] Model version: VXL Version[VXL] Colour: DRAGON RED[894] Model version: VXL Version[VXL] Colour: DRAGON RED[894] Model version: VXL Version[VXL] Colour: DRAGON RED[894] Model version: VXL Version[VXL]
2	259349	Screw M4,2x13	2	
3	CM017406	Plate	2	
4	673260	Complete left passenger footrest	1	
5	673261	Complete right passenger footrest	1	

Group	Frame - Plastic parts - Coachwork
Code	02.31
Description	Central cover - Footrests
Service	1



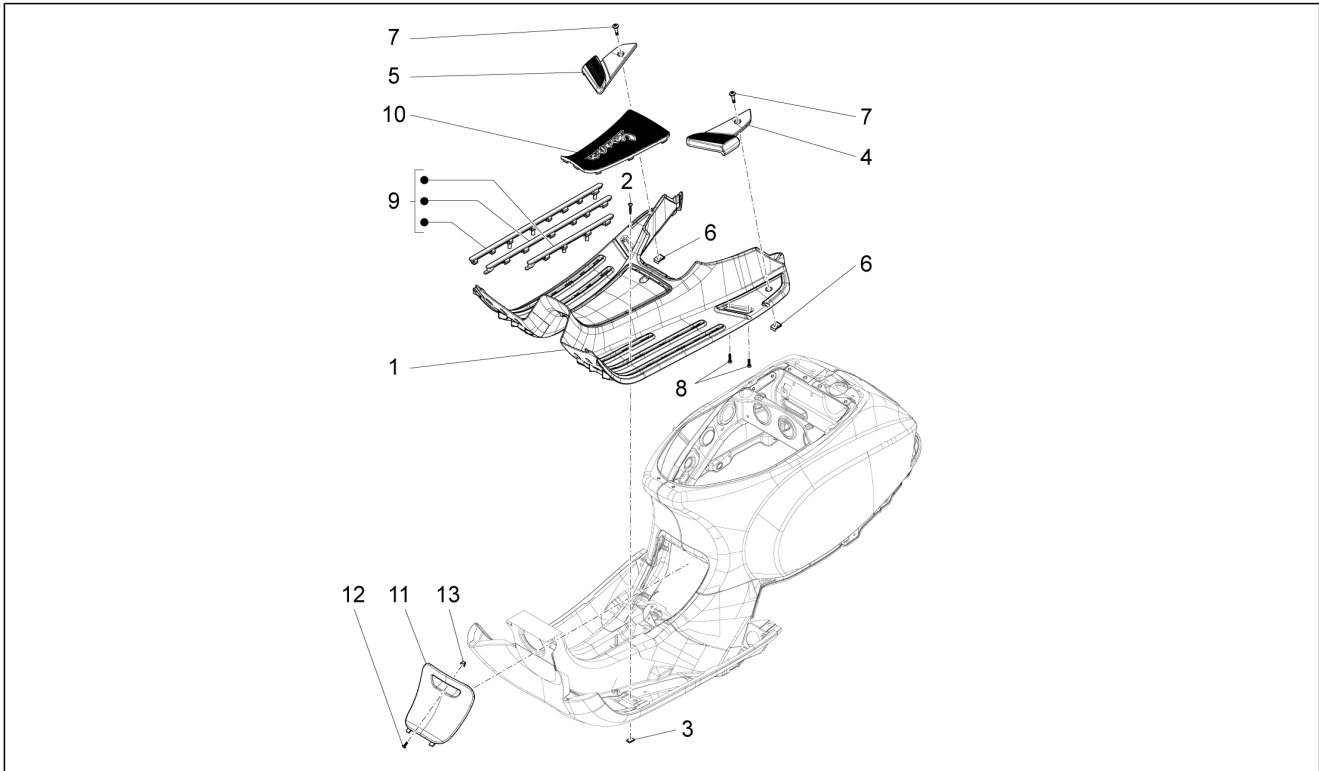
Pos.	Code	Description	Qty	Variants
6	254485	Spring plate M6	2	
7	CM179303	Screw metrica	2	
8	297498	Self tapping screw	4	
9	672681	Kit strips, footboard	1	
10	657125	Central mat	1	
11	S67521700BR	Spark plug insp. door	1	Colour:White[544] Model version:VX Version[VX] Colour:White[544] Model version:VX Version[VX] Colour:White[544] Model version:VX Version[VX]
11	S67521700GP	Spark plug insp. door	1	Colour:Yellow lime[928/A] Model version:VX Version[VX] Colour:Yellow lime[928/A] Model version:VX Version[VX] Colour:Yellow lime[928/A] Model version:VX Version[VX] Colour:Yellow lime[928/A] Model version:VXL Version[VXL] Colour:Yellow lime[928/A] Model version:VXL Version[VXL] Colour:Yellow lime[928/A] Model version:VXL Version[VXL] Colour:Yellow lime[928/A] Model version:VXL Version[VXL] Colour:Yellow lime[928/A] Model version:VXL Version[VXL]
11	S67521700NL	Spark plug insp. door	1	Colour:BLACK[85/B] Model version:VX Version[VX] Colour:BLACK[85/B] Model version:VXL Version[VXL] Colour:BLACK[85/B] Model version:VXL Version[VXL] Colour:BLACK[85/B] Model version:VXL Version[VXL]

Group	Frame - Plastic parts - Coachwork
Code	02.31
Description	Central cover - Footrests
Service	1



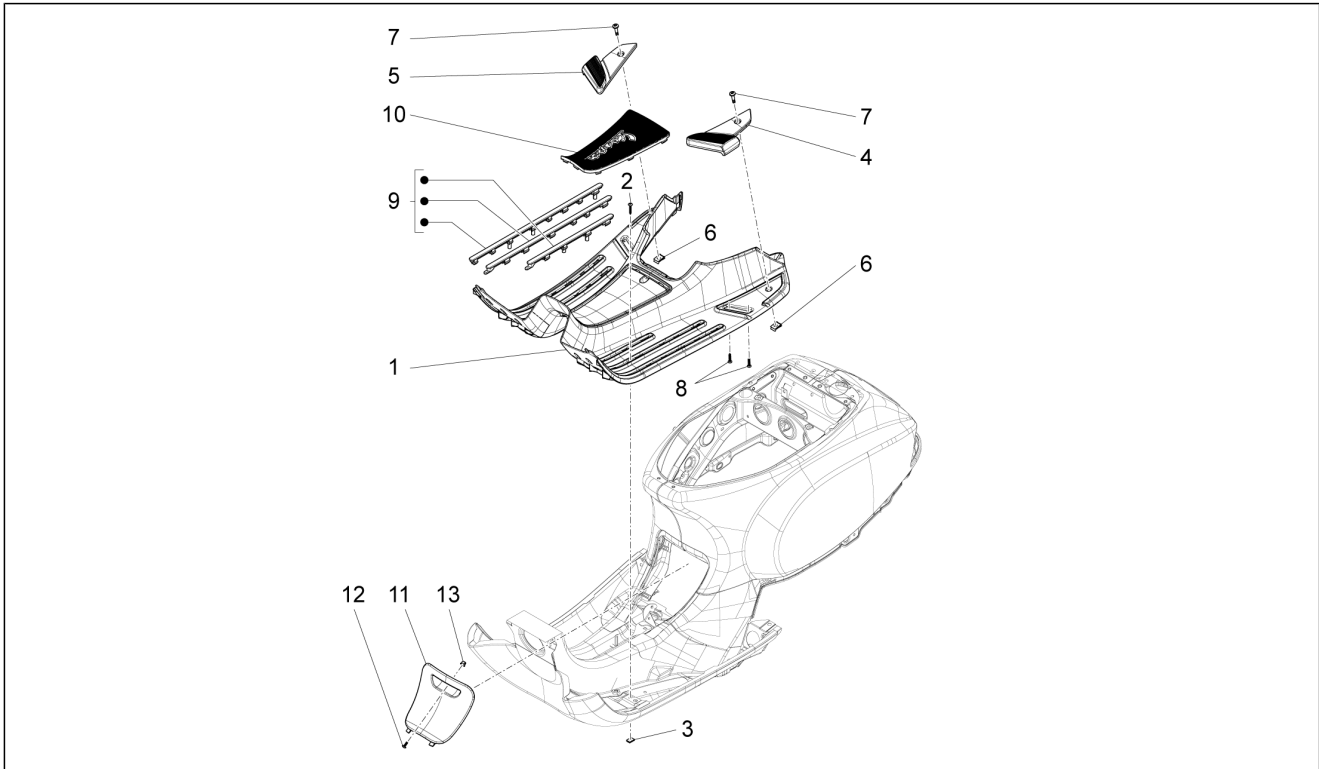
Pos.	Code	Description	Qty	Variants
				Colour: BLACK[85/B] Model version: VX Version[VX] Colour: BLACK[85/B] Model version: VX Version[VX] Colour: BLACK[85/B] Model version: SXL Version[SXL] Colour: BLACK[85/B] Model version: VXL Version[VXL] Colour: BLACK[85/B] Model version: VXL Version[VXL]
11	S67521700R7	Spark plug insp. door	1	Colour: DRAGON RED[894] Model version: VX Version[VX] Colour: DRAGON RED[894] Model version: VX Version[VX] Colour: DRAGON RED[894] Model version: VX Version[VX] Colour: DRAGON RED[894] Model version: VXL Version[VXL] Colour: DRAGON RED[894] Model version: VXL Version[VXL] Colour: DRAGON RED[894] Model version: VXL Version[VXL] Colour: DRAGON RED[894] Model version: VXL Version[VXL] Colour: DRAGON RED[894] Model version: VXL Version[VXL]
11	S67521700AI	Painted spark plug inspection cover	1	Colour: Orange 938/A[938/A] Model version: SXL Version[SXL]
11	SP67521700LC	Spark plug insp. door	1	Colour: Giallo 980/A[980/A] Model version: SXL Version[SXL]
11	S67521700Q4	Painted spark plug inspection cover	1	Colour: White Tech 505/A[505/A] Model version: VXL Version[VXL] Colour: White Tech 505/A[505/A] Model version: VXL Version[VXL] Colour: White Tech 505/A[505/A] Model version: VXL Version[VXL]

Group	Frame - Plastic parts - Coachwork
Code	02.31
Description	Central cover - Footrests
Service	1



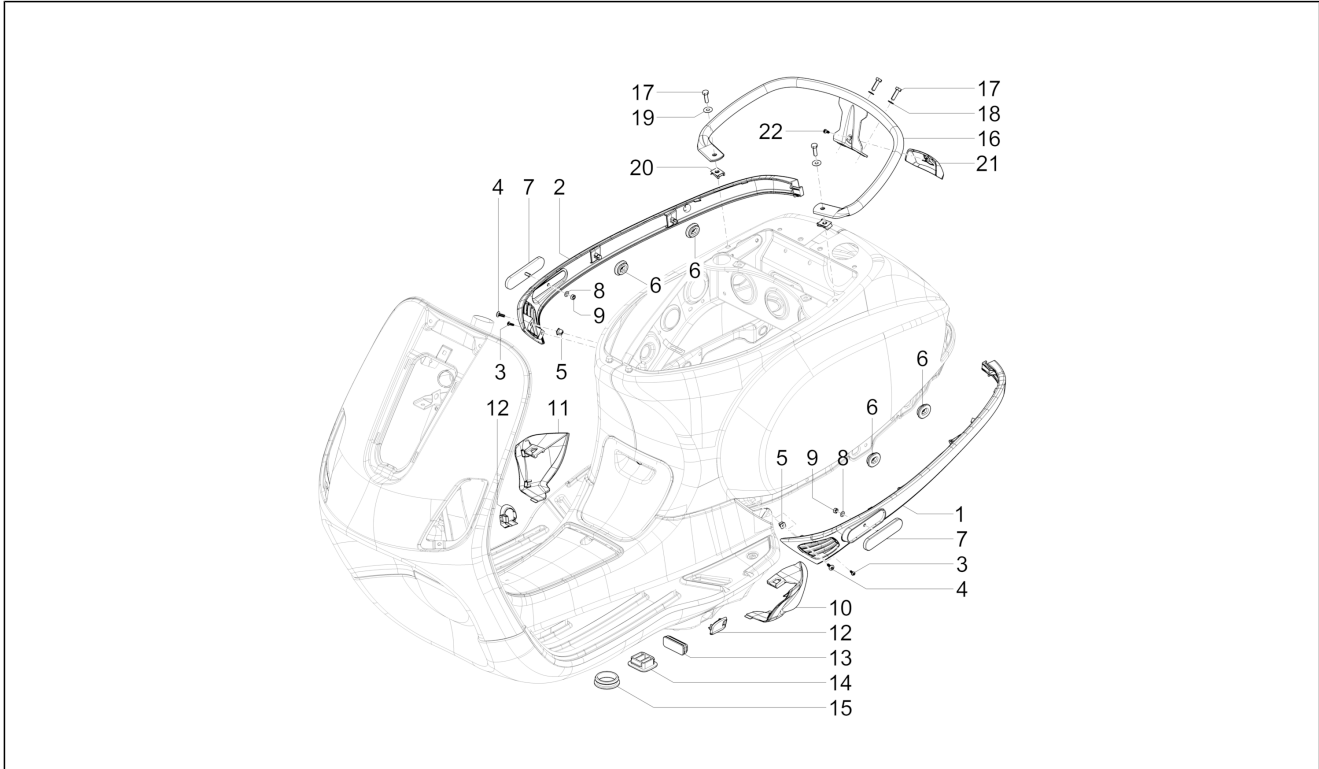
Pos.	Code	Description	Qty	Variants
				Colour: White Tech 505/A[505/A] Model version: VXL Version[VXL] Colour: White Tech 505/A[505/A] Model version: SXL Version[SXL] Colour: White Tech 505/A[505/A] Model version: VXL Version[VXL] Colour: White Tech 505/A[505/A] Model version: VXL Version[VXL]
11	S67521700T5	Spark plug insp. door	1	Colour: Blue 277/A[277/A] Model version: VXL Version[VXL] Colour: Blue 277/A[277/A] Model version: SXL Version[SXL]
11	S67521700HL	Spark plug insp. door	1	Colour: Grey[700/C] Model version: VXL Version[VXL] Colour: Grey[700/C] Model version: VXL Version[VXL] Colour: Grey[700/C] Model version: VXL Version[VXL] Colour: BLACK[85/B] Model version: VX Version[VX] Colour: Grey[700/C] Model version: VXL Version[VXL]
11	R675217	Unfinished spark plug inspection hatch	1	
11	SP67521700D02	Spark plug insp. door	1	Colour: Azzurro provenza[296/A] Model version: VXL Version[VXL] Colour: Azzurro provenza[296/A] Model version: VXL Version[VXL] Colour: Azzurro provenza[296/A] Model version: VXL Version[VXL] Colour: Azzurro provenza[296/A] Model version: VXL Version[VXL] Colour: Azzurro provenza[296/A] Model version: VXL Version[VXL]
11	S67521700Q8	Spark plug insp. door	1	Colour: Beige[514/A] Model version: VXL Version[VXL] Colour: Beige[514/A]

Group	Frame - Plastic parts - Coachwork
Code	02.31
Description	Central cover - Footrests
Service	1



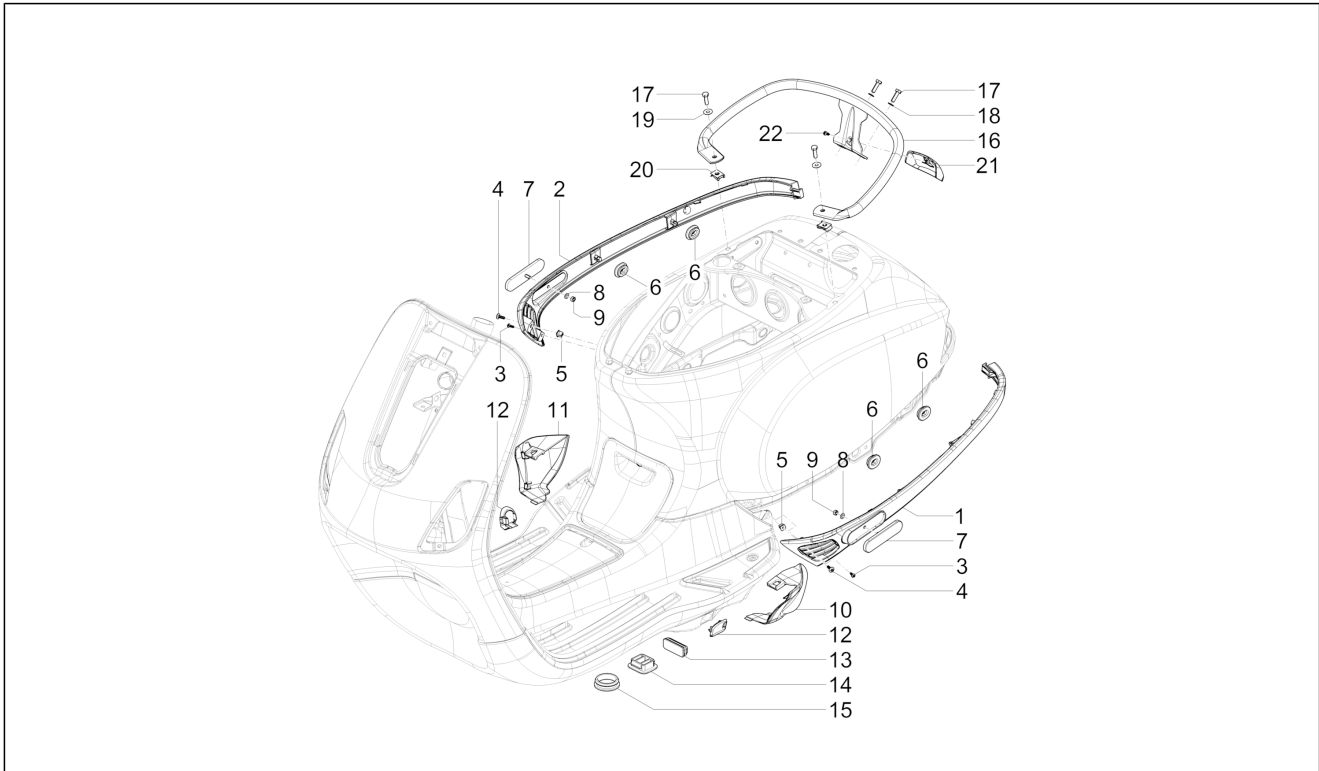
Pos.	Code	Description	Qty	Variants
				Model version:VXL Version[VXL] Colour:Beige[514/A] Model version:VXL Version[VXL]
12	259349	Screw M4,2x13	1	
13	157716	Expansion plug	1	

Group	Frame - Plastic parts - Coachwork
Code	02.32
Description	Side cover - Spoiler
Service	1



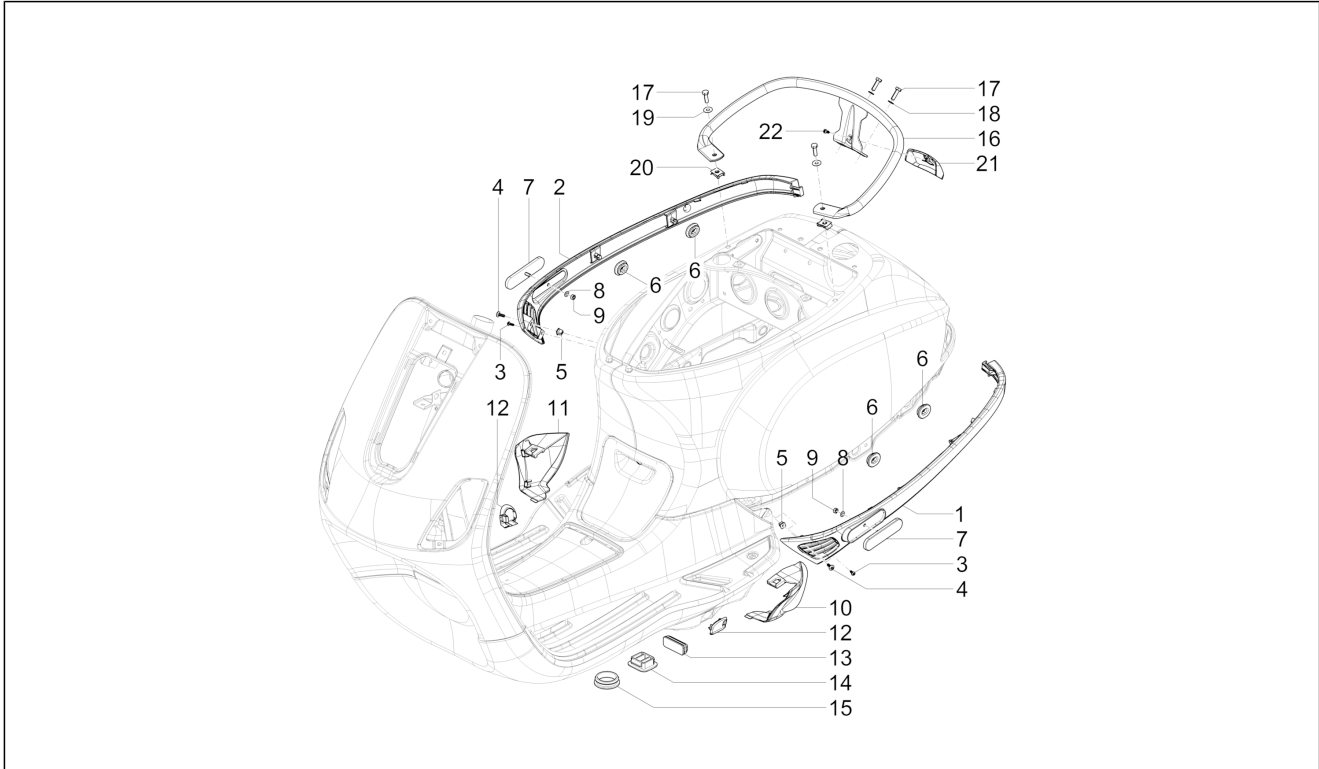
Pos.	Code	Description	Qty	Variants
1	SP67268000LC	Left lower fairing painted	1	Colour:Giallo 980/A[980/A] Model version:SXL Version[SXL]
1	S67268000AI	Left lower fairing painted	1	Colour:Orange 938/A[938/A] Model version:SXL Version[SXL]
1	S67268000Q4	Left lower fairing painted	1	Colour:White Tech 505/A[505/A] Model version:VXL Version[VXL] Colour:Beige[514/A] Model version:VXL Version[VXL] Colour:White Tech 505/A[505/A] Model version:VXL Version[VXL] Colour:White Tech 505/A[505/A] Model version:VXL Version[VXL] Colour:White Tech 505/A[505/A] Model version:VXL Version[VXL] Colour:White Tech 505/A[505/A] Model version:SXL Version[SXL] Colour:White Tech 505/A[505/A] Model version:VXL Version[VXL]
1	R672680	Unfinished LH lower fairing	1	
1	S67268000T5	Left lower fairing painted	1	Colour:Blue 277/A[277/A] Model version:VXL Version[VXL] Colour:Blue 277/A[277/A] Model version:SXL Version[SXL]
1	S67268000HL	Left lower fairing painted	1	Colour:Grey[700/C] Model version:VXL Version[VXL] Colour:Grey[700/C] Model version:VXL Version[VXL] Colour:Grey[700/C] Model version:VXL Version[VXL] Colour:Grey[700/C] Model version:VXL Version[VXL] Colour:Grey[700/C] Model version:VXL Version[VXL]
1	SP67268000D02	Left lower fairing painted	1	Colour:Azzurro provenza[296/A] Model version:VXL Version[VXL] Colour:Azzurro provenza[296/A]

Group	Frame - Plastic parts - Coachwork
Code	02.32
Description	Side cover - Spoiler
Service	1



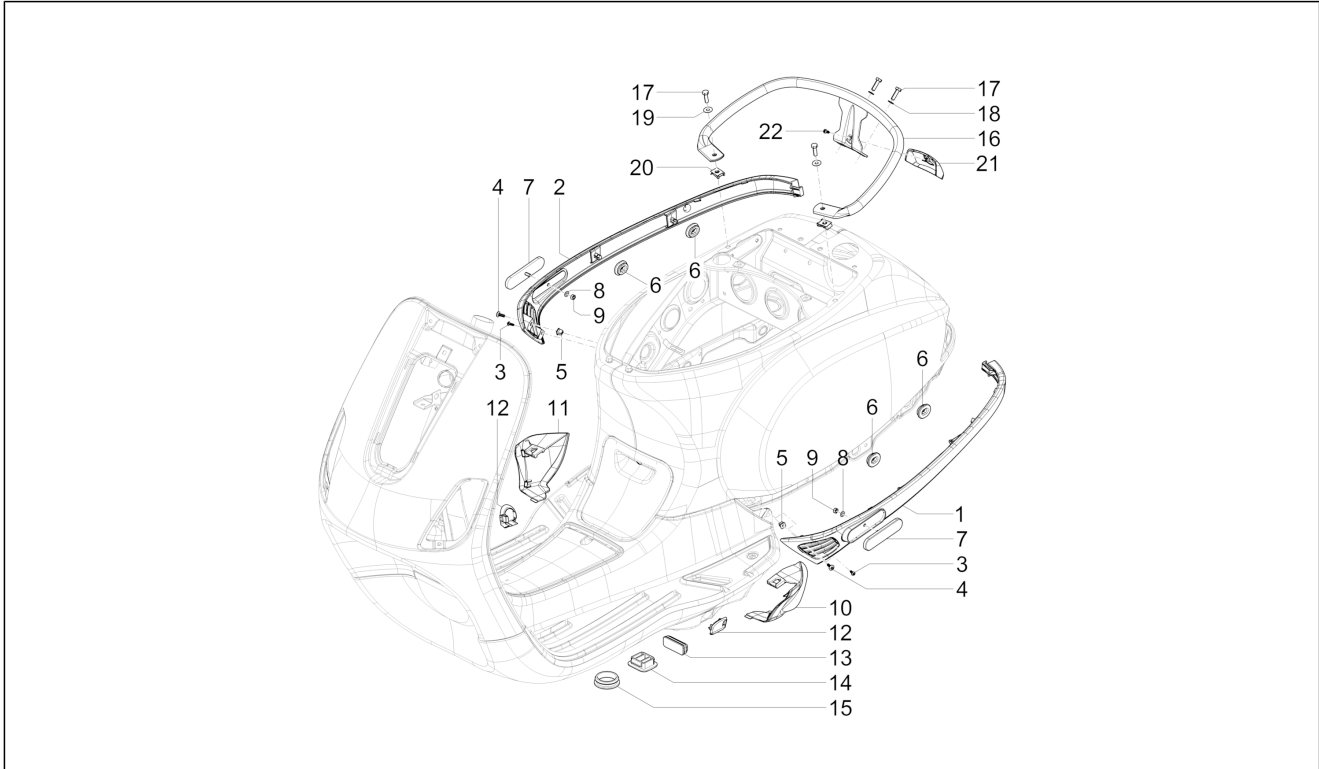
Pos.	Code	Description	Qty	Variants
				Model version: VXL Version[VXL] Colour: Azzurro provenza[296/A] Model version: VXL Version[VXL] Colour: Azzurro provenza[296/A] Model version: VXL Version[VXL] Colour: Azzurro provenza[296/A] Model version: VXL Version[VXL] Colour: Azzurro provenza[296/A] Model version: VXL Version[VXL] Colour: Azzurro provenza[296/A] Model version: VXL Version[VXL]
1	S67268000Q8	Left lower fairing painted	1	Colour: Beige[514/A] Model version: VXL Version[VXL] Colour: Beige[514/A] Model version: VXL Version[VXL] Colour: Beige[514/A] Model version: VXL Version[VXL]
1	S67268000BR	Left lower fairing painted	1	Colour: White[544] Model version: VX Version[VX] Colour: White[544] Model version: VX Version[VX] Colour: White[544] Model version: VX Version[VX]
1	S67268000GP	Left lower fairing painted	1	Colour: Yellow lime[928/A] Model version: VX Version[VX] Colour: Yellow lime[928/A] Model version: VX Version[VX] Colour: Yellow lime[928/A] Model version: VX Version[VX] Colour: Yellow lime[928/A] Model version: VXL Version[VXL] Colour: Yellow lime[928/A] Model version: VXL Version[VXL] Colour: Yellow lime[928/A] Model version: VXL Version[VXL] Colour: Yellow lime[928/A] Model version: VXL Version[VXL] Colour: Yellow lime[928/A] Model version: VXL Version[VXL]

Group	Frame - Plastic parts - Coachwork
Code	02.32
Description	Side cover - Spoiler
Service	1



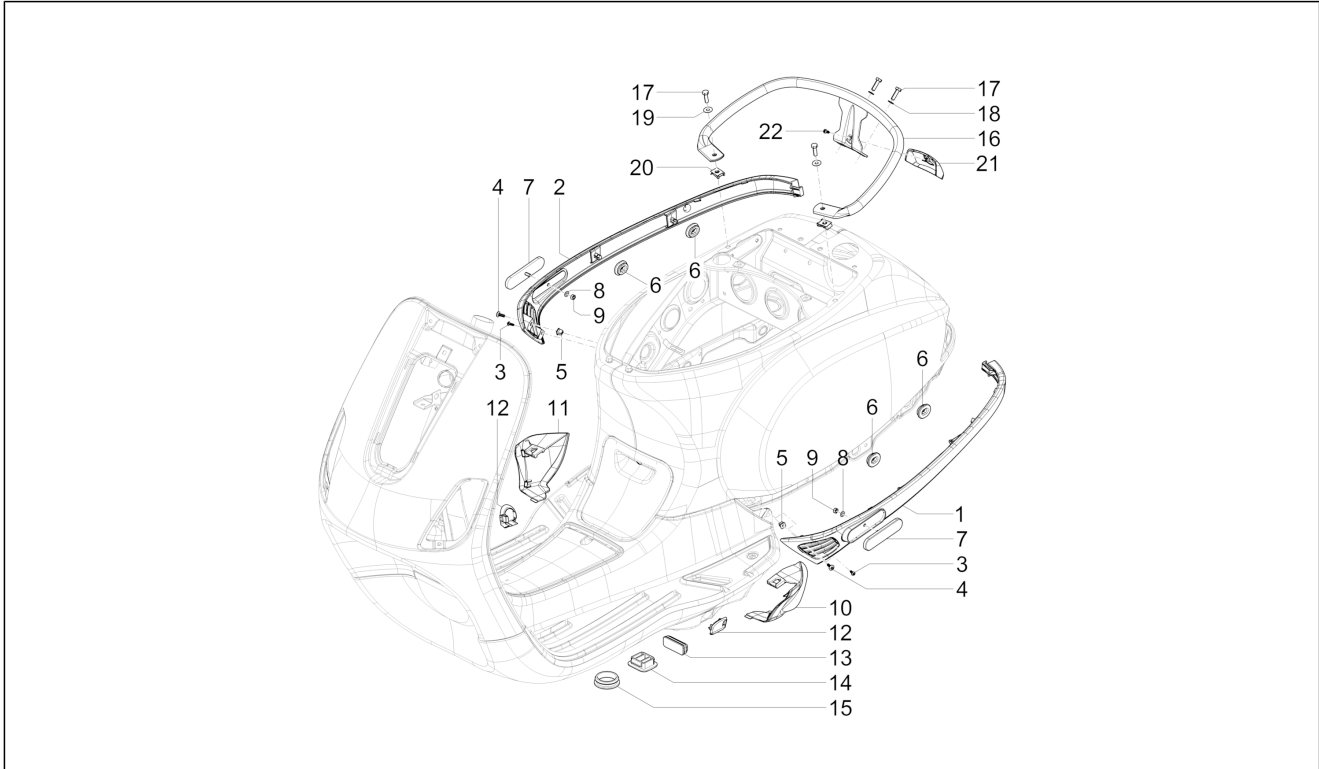
Pos.	Code	Description	Qty	Variants
1	S67268000NL	Left lower fairing painted	1	Colour: BLACK[85/B] Model version: VX Version[VX] Colour: BLACK[85/B] Model version: VXL Version[VXL] Colour: BLACK[85/B] Model version: VXL Version[VXL] Colour: BLACK[85/B] Model version: VXL Version[VXL] Colour: BLACK[85/B] Model version: VX Version[VX] Colour: BLACK[85/B] Model version: VX Version[VX] Colour: BLACK[85/B] Model version: SXL Version[SXL] Colour: BLACK[85/B] Model version: VXL Version[VXL] Colour: BLACK[85/B] Model version: VXL Version[VXL]
1	S67268000R7	Left lower fairing painted	1	Colour: DRAGON RED[894] Model version: VX Version[VX] Colour: DRAGON RED[894] Model version: VX Version[VX] Colour: DRAGON RED[894] Model version: VX Version[VX] Colour: DRAGON RED[894] Model version: VXL Version[VXL] Colour: DRAGON RED[894] Model version: VXL Version[VXL] Colour: DRAGON RED[894] Model version: VXL Version[VXL] Colour: DRAGON RED[894] Model version: VXL Version[VXL]
2	S67267900HL		1	Colour: Grey[700/C] Model version: VXL Version[VXL] Colour: Grey[700/C]

Group	Frame - Plastic parts - Coachwork
Code	02.32
Description	Side cover - Spoiler
Service	1



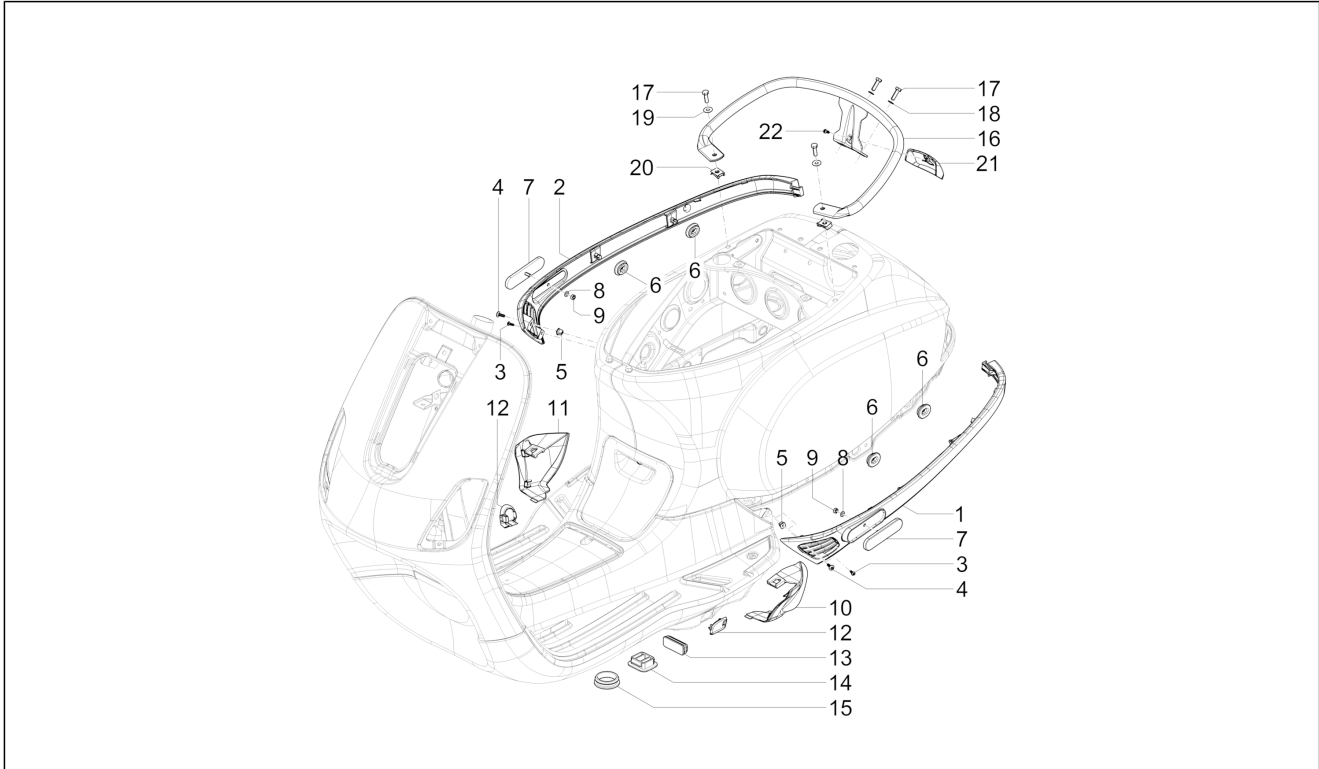
Pos.	Code	Description	Qty	Variants
				Model version: VXL Version[VXL] Colour: Grey[700/C] Model version: VXL Version[VXL] Colour: Grey[700/C] Model version: VXL Version[VXL] Colour: Grey[700/C]
2	SP67267900D02		1	Colour: Azzurro provenza[296/A] Model version: VXL Version[VXL] Colour: Azzurro provenza[296/A] Model version: VXL Version[VXL] Colour: Azzurro provenza[296/A] Model version: VXL Version[VXL] Colour: Azzurro provenza[296/A] Model version: VXL Version[VXL] Colour: Azzurro provenza[296/A] Model version: VXL Version[VXL] Colour: Azzurro provenza[296/A] Model version: VXL Version[VXL]
2	S67267900NL		1	Colour: BLACK[85/B] Model version: VX Version[VX] Colour: BLACK[85/B] Model version: VXL Version[VXL] Colour: BLACK[85/B] Model version: VXL Version[VXL] Colour: BLACK[85/B] Model version: VXL Version[VXL] Colour: BLACK[85/B] Model version: VX Version[VX] Colour: BLACK[85/B] Model version: VX Version[VX] Colour: BLACK[85/B] Model version: VXL Version[VXL] Colour: BLACK[85/B] Model version: VXL Version[VXL] Colour: Blue 277/A[277/A] Model version: SXL Version[SXL]

Group	Frame - Plastic parts - Coachwork
Code	02.32
Description	Side cover - Spoiler
Service	1



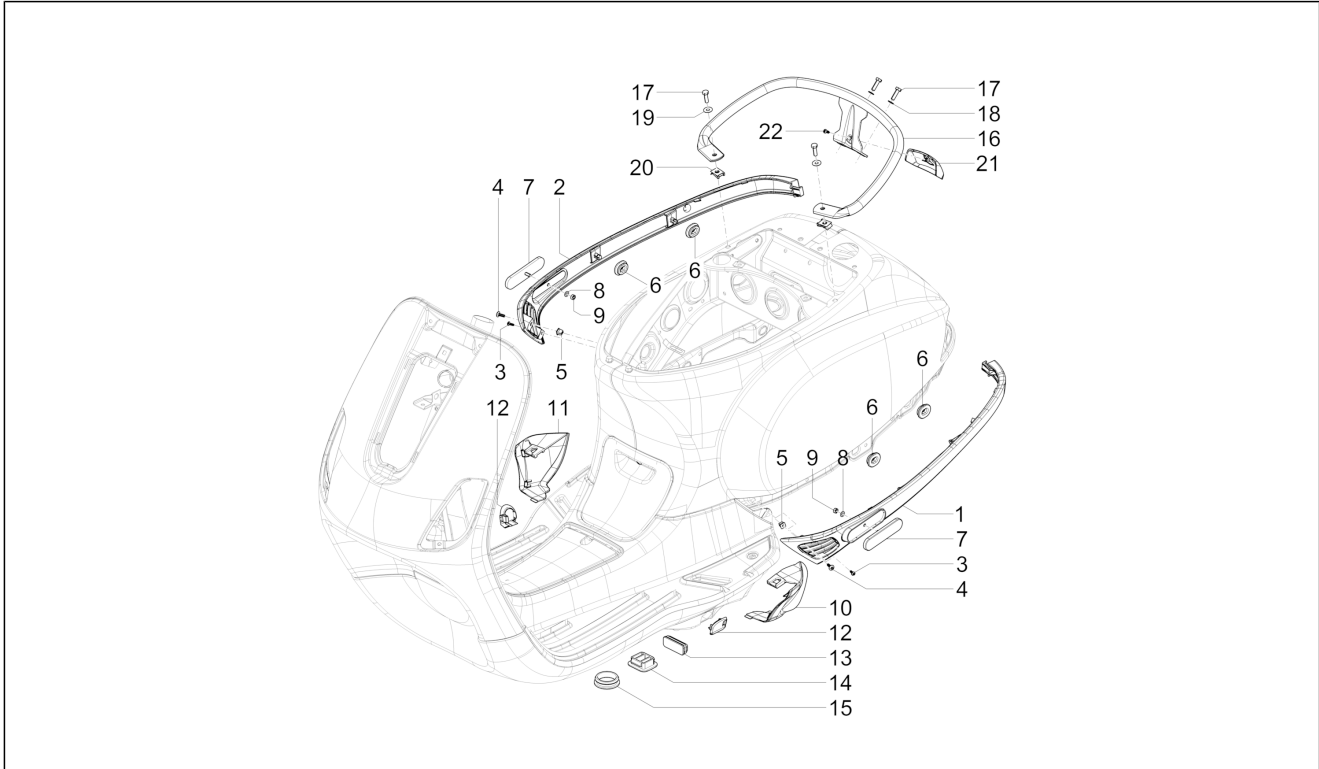
Pos.	Code	Description	Qty	Variants
2	S67267900R7		1	Colour:DRAGON RED[894] Model version:VX Version[VX] Colour:DRAGON RED[894] Model version:VX Version[VX] Colour:DRAGON RED[894] Model version:VX Version[VX] Colour:DRAGON RED[894] Model version:VXL Version[VXL] Colour:DRAGON RED[894] Model version:VXL Version[VXL] Colour:DRAGON RED[894] Model version:VXL Version[VXL] Colour:DRAGON RED[894] Model version:VXL Version[VXL]
2	S67267900AI		1	Colour:Orange 938/A[938/A] Model version:SXL Version[SXL]
2	SP67267900LC		1	Colour:Giallo 980/A[980/A] Model version:SXL Version[SXL]
2	R672679	Unfinished RH lower fairing	1	
2	S67267900Q8		1	Colour:Beige[514/A] Model version:VXL Version[VXL] Colour:Beige[514/A] Model version:VXL Version[VXL] Colour:Beige[514/A] Model version:VXL Version[VXL]
2	S67267900BR		1	Colour:White[544] Model version:VX Version[VX] Colour:White[544] Model version:VX Version[VX] Colour:White[544] Model version:VX Version[VX]
2	S67267900GP		1	Colour:Yellow lime[928/A] Model version:VX Version[VX] Colour:Yellow lime[928/A]

Group	Frame - Plastic parts - Coachwork
Code	02.32
Description	Side cover - Spoiler
Service	1



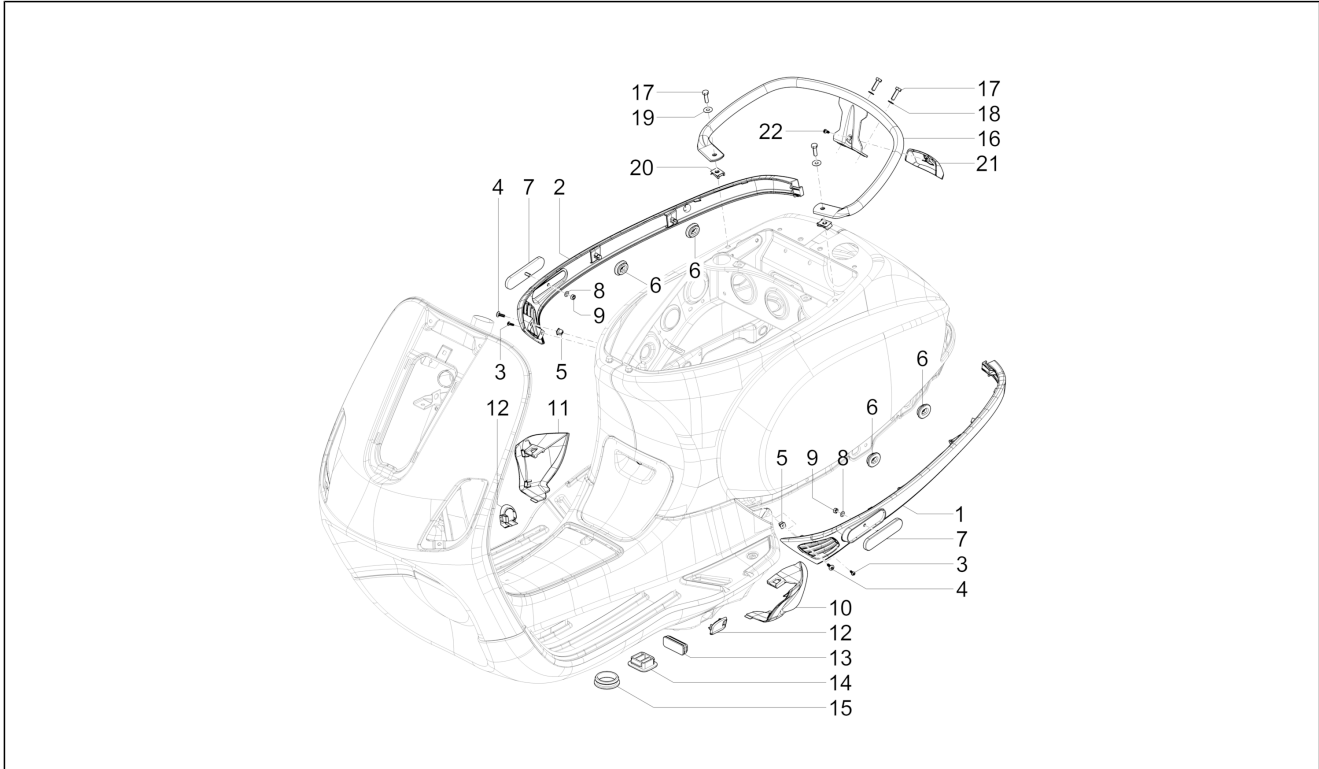
Pos.	Code	Description	Qty	Variants
				Model version: VX Version[VX] Colour: Yellow lime[928/A] Model version: VX Version[VX] Colour: Yellow lime[928/A] Model version: VXL Version[VXL] Colour: Yellow lime[928/A] Model version: VXL Version[VXL] Colour: Yellow lime[928/A] Model version: VXL Version[VXL] Colour: Yellow lime[928/A] Model version: VXL Version[VXL] Colour: Yellow lime[928/A]
2	S67267900Q4		1	Colour: White Tech 505/A[505/A] Model version: VXL Version[VXL] Colour: White Tech 505/A[505/A] Model version: VXL Version[VXL] Colour: White Tech 505/A[505/A] Model version: VXL Version[VXL] Colour: White Tech 505/A[505/A] Model version: VXL Version[VXL] Colour: White Tech 505/A[505/A] Model version: SXL Version[SXL] Colour: White Tech 505/A[505/A] Model version: VXL Version[VXL] Colour: White Tech 505/A[505/A] Model version: VXL Version[VXL]
2	S67267900T5		1	Colour: Blue 277/A[277/A] Model version: VXL Version[VXL] Colour: Blue 277/A[277/A] Model version: SXL Version[SXL]
3	297498	Self tapping screw	2	
4	CM178603	Self tapping screw D4.2x13	2	
5	157716	Expansion plug	2	
6	1B000888	Pad	4	

Group	Frame - Plastic parts - Coachwork
Code	02.32
Description	Side cover - Spoiler
Service	1



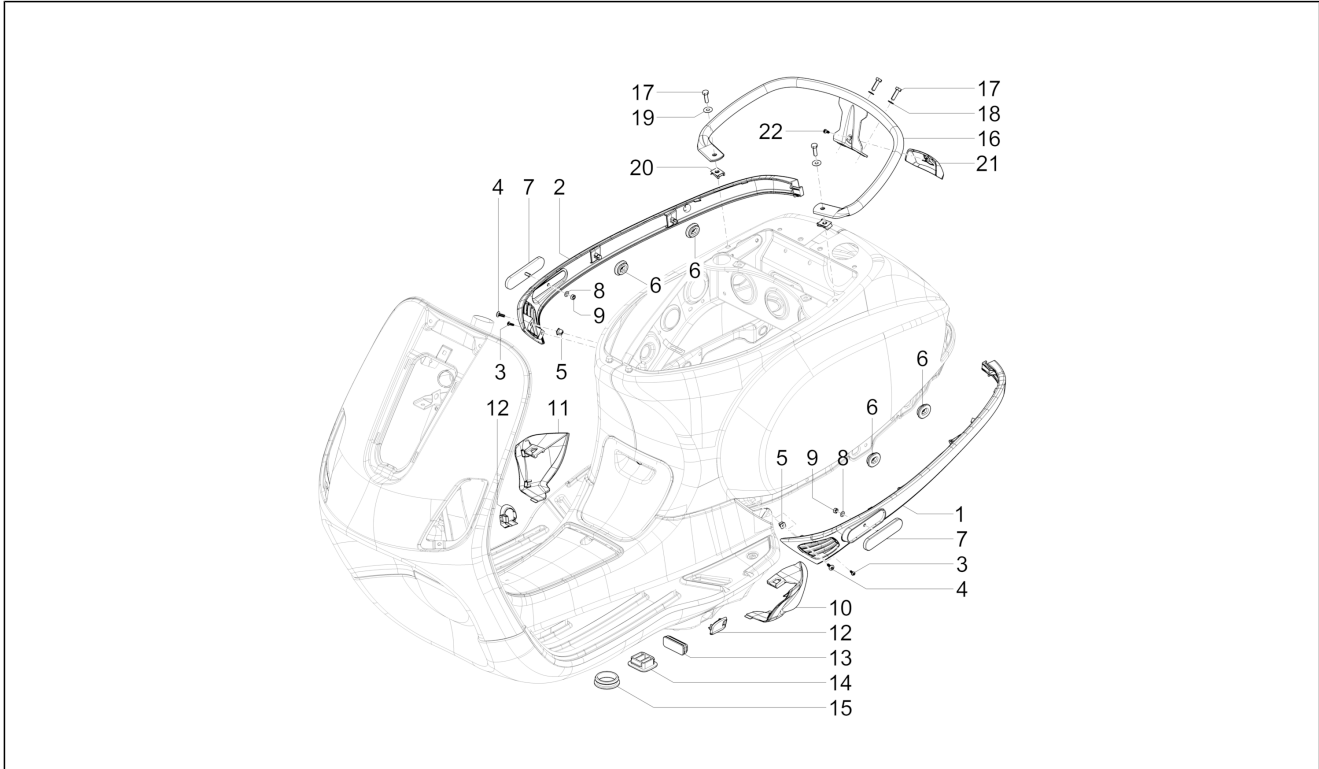
Pos.	Code	Description	Qty	Variants
7	642905	Lateral reflector	2	
8	006965	Washer 5.3x10x10	2	
9	020105	Nut	2	
10	S67268600Q4	Left spoiler rear terminal	1	Colour: White Tech 505/A[505/A] Model version: VXL Version[VXL] Colour: White Tech 505/A[505/A] Model version: VXL Version[VXL] Colour: White Tech 505/A[505/A] Model version: VXL Version[VXL] Colour: White Tech 505/A[505/A] Model version: VXL Version[VXL] Colour: White Tech 505/A[505/A] Model version: VXL Version[VXL] Colour: White Tech 505/A[505/A] Model version: VXL Version[VXL] Colour: White Tech 505/A[505/A] Model version: VXL Version[VXL]
10	S67268600BR	Left spoiler rear terminal	1	Colour: White[544] Model version: VX Version[VX] Colour: White[544] Model version: VX Version[VX] Colour: White[544] Model version: VX Version[VX]
10	S67268600GP	Left spoiler rear terminal	1	Colour: Yellow lime[928/A] Model version: VX Version[VX] Colour: Yellow lime[928/A] Model version: VX Version[VX] Colour: Yellow lime[928/A] Model version: VX Version[VX] Colour: Yellow lime[928/A] Model version: VXL Version[VXL] Colour: Yellow lime[928/A] Model version: VXL Version[VXL] Colour: Yellow lime[928/A] Model version: VXL Version[VXL] Colour: Yellow lime[928/A]

Group	Frame - Plastic parts - Coachwork
Code	02.32
Description	Side cover - Spoiler
Service	1



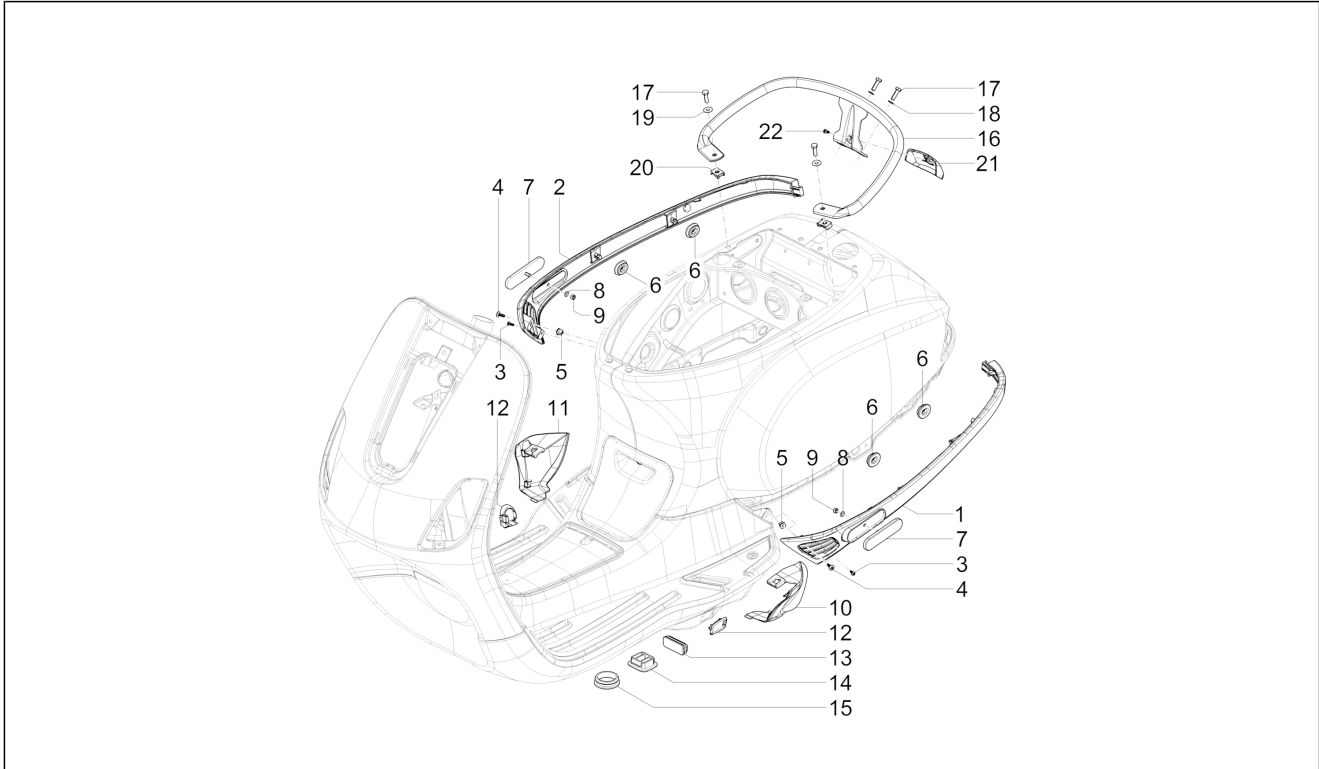
Pos.	Code	Description	Qty	Variants
				Model version: VXL Version[VXL] Colour: Yellow lime[928/A] Model version: VXL Version[VXL]
10	S67268600NL	Left spoiler rear terminal	1	Colour: BLACK[85/B] Model version: VX Version[VX] Colour: BLACK[85/B] Model version: VXL Version[VXL] Colour: BLACK[85/B] Model version: VXL Version[VXL] Colour: BLACK[85/B] Model version: VXL Version[VXL] Colour: BLACK[85/B] Model version: VX Version[VX] Colour: BLACK[85/B] Model version: VX Version[VX] Colour: BLACK[85/B] Model version: SXL Version[SXL] Colour: BLACK[85/B] Model version: VXL Version[VXL] Colour: BLACK[85/B] Model version: VXL Version[VXL]
10	S67268600R7	Left spoiler rear terminal	1	Colour: DRAGON RED[894] Model version: VX Version[VX] Colour: DRAGON RED[894] Model version: VX Version[VX] Colour: DRAGON RED[894] Model version: VX Version[VX] Colour: DRAGON RED[894] Model version: VXL Version[VXL] Colour: DRAGON RED[894] Model version: VXL Version[VXL] Colour: DRAGON RED[894] Model version: VXL Version[VXL] Colour: DRAGON RED[894] Model version: VXL Version[VXL] Colour: DRAGON RED[894] Model version: VXL Version[VXL]

Group	Frame - Plastic parts - Coachwork
Code	02.32
Description	Side cover - Spoiler
Service	1



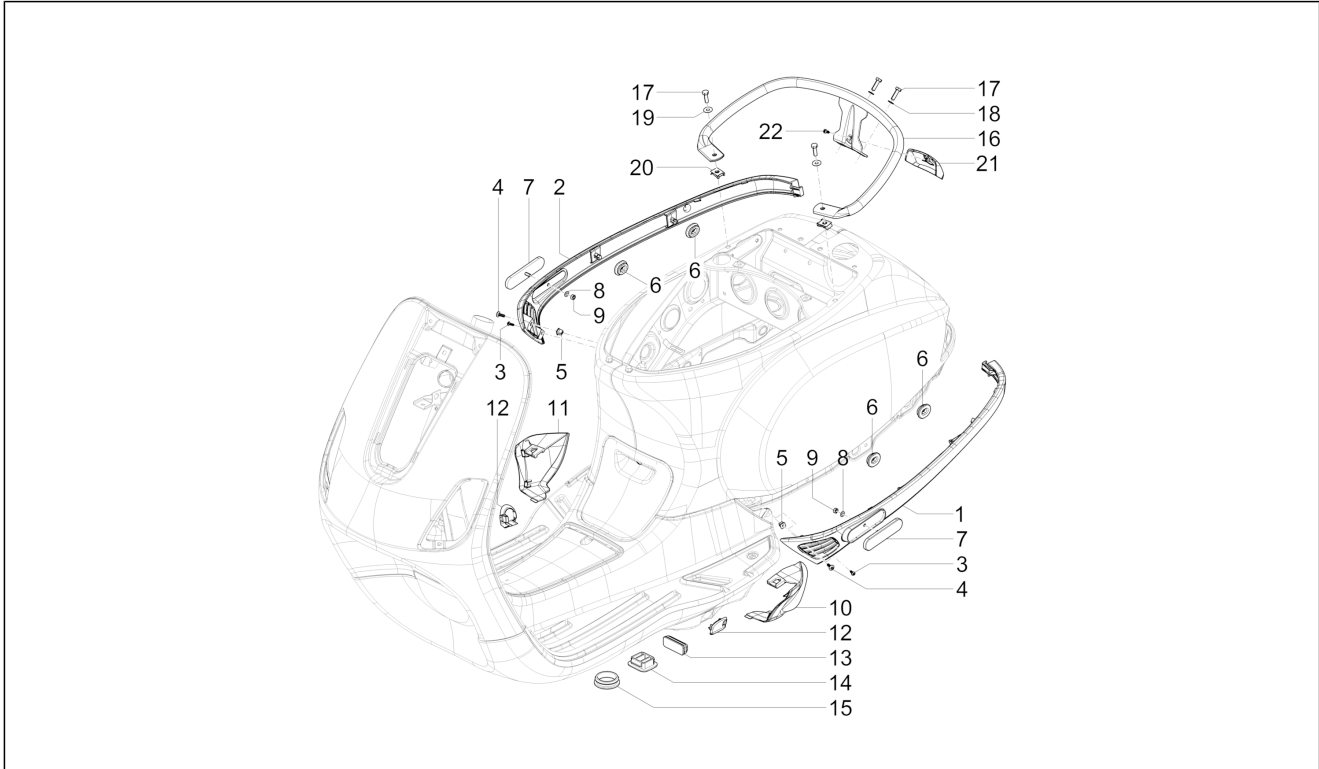
Pos.	Code	Description	Qty	Variants
10	SP67268500000LC	Right spoiler rear terminal	1	Colour:Giallo 980/A[980/A] Model version:SXL Version[SXL]
10	S67268600T5	Left spoiler rear terminal	1	Colour:Blue 277/A[277/A] Model version:VXL Version[VXL] Colour:Blue 277/A[277/A] Model version:SXL Version[SXL]
10	S67268600HL	Left spoiler rear terminal	1	Colour:Grey[700/C] Model version:VXL Version[VXL] Colour:Grey[700/C] Model version:VXL Version[VXL] Colour:Grey[700/C] Model version:VXL Version[VXL] Colour:Grey[700/C] Model version:VXL Version[VXL] Colour:Grey[700/C] Model version:VXL Version[VXL]
10	SP67268600000D02	Left spoiler rear terminal	1	Colour:Azzurro provenza[296/A] Model version:VXL Version[VXL] Colour:Azzurro provenza[296/A] Model version:VXL Version[VXL] Colour:Azzurro provenza[296/A] Model version:VXL Version[VXL] Colour:Azzurro provenza[296/A] Model version:VXL Version[VXL] Colour:Azzurro provenza[296/A] Model version:VXL Version[VXL] Colour:Azzurro provenza[296/A] Model version:VXL Version[VXL]
10	R672686	Unfinished rear left spoiler terminal	1	
10	S67268600000Q8	Left spoiler rear terminal	1	Colour:Beige[514/A] Model version:VXL Version[VXL] Colour:Beige[514/A] Model version:VXL Version[VXL] Colour:Beige[514/A] Model version:VXL Version[VXL]
10	S67268600AI	Left spoiler rear terminal	1	Colour:Orange 938/A[938/A]

Group	Frame - Plastic parts - Coachwork
Code	02.32
Description	Side cover - Spoiler
Service	1



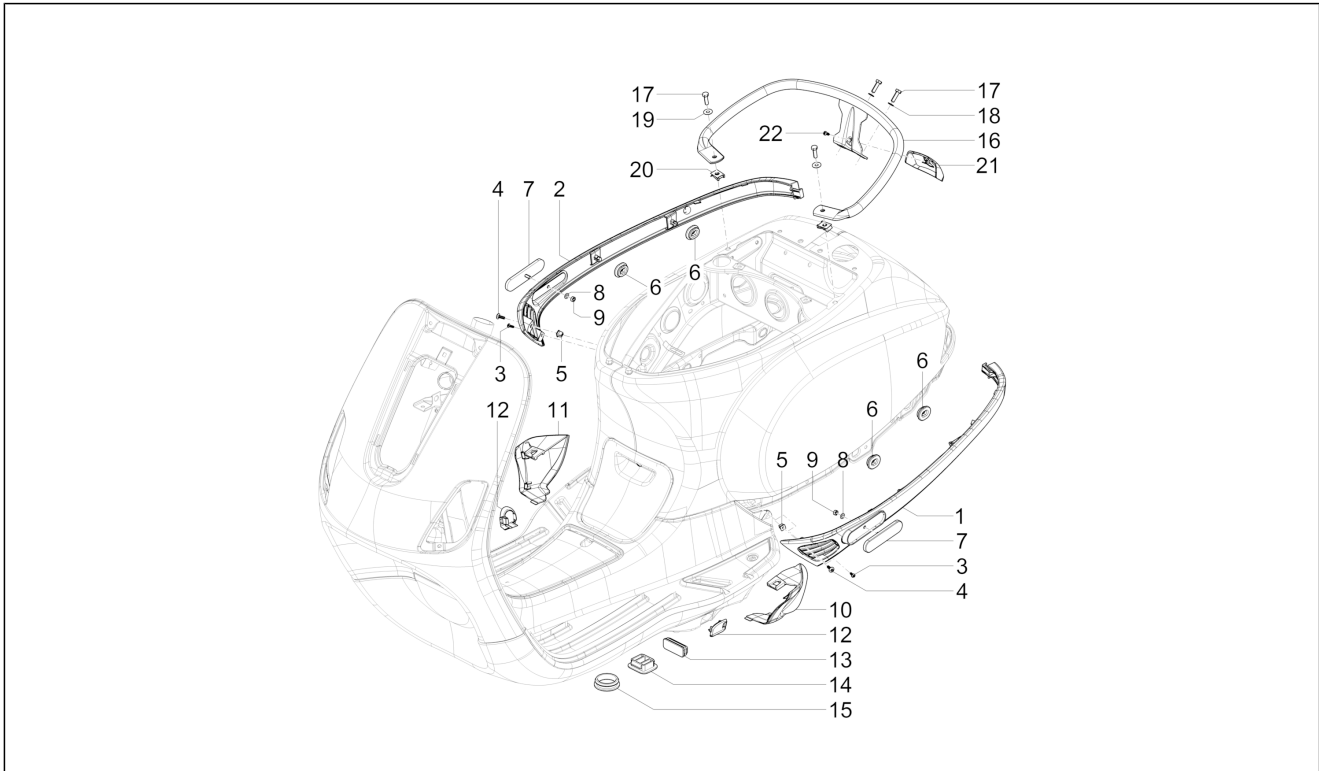
Pos.	Code	Description	Qty	Variants
				Model version: SXL Version[SXL]
11	S67268500Q4	Right spoiler rear terminal	1	Colour: White Tech 505/A[505/A] Model version: VXL Version[VXL] Colour: White Tech 505/A[505/A] Model version: VXL Version[VXL] Colour: White Tech 505/A[505/A] Model version: VXL Version[VXL] Colour: White Tech 505/A[505/A] Model version: VXL Version[VXL] Colour: White Tech 505/A[505/A] Model version: VXL Version[VXL] Colour: White Tech 505/A[505/A] Model version: VXL Version[VXL] Colour: White Tech 505/A[505/A] Model version: VXL Version[VXL]
11	S67268500HL	Right spoiler rear terminal	1	Colour: Grey[700/C] Model version: VXL Version[VXL] Colour: Grey[700/C] Model version: VXL Version[VXL] Colour: Grey[700/C] Model version: VXL Version[VXL] Colour: Grey[700/C] Model version: VXL Version[VXL] Colour: Grey[700/C] Model version: VXL Version[VXL]
11	SP67268500000D02	Right spoiler rear terminal	1	Colour: Azzurro provenza[296/A] Model version: VXL Version[VXL] Colour: Azzurro provenza[296/A] Model version: VXL Version[VXL] Colour: Azzurro provenza[296/A] Model version: VXL Version[VXL] Colour: Azzurro provenza[296/A] Model version: VXL Version[VXL] Colour: Azzurro provenza[296/A] Model version: VXL Version[VXL] Colour: Azzurro provenza[296/A] Model version: VXL Version[VXL]

Group	Frame - Plastic parts - Coachwork
Code	02.32
Description	Side cover - Spoiler
Service	1



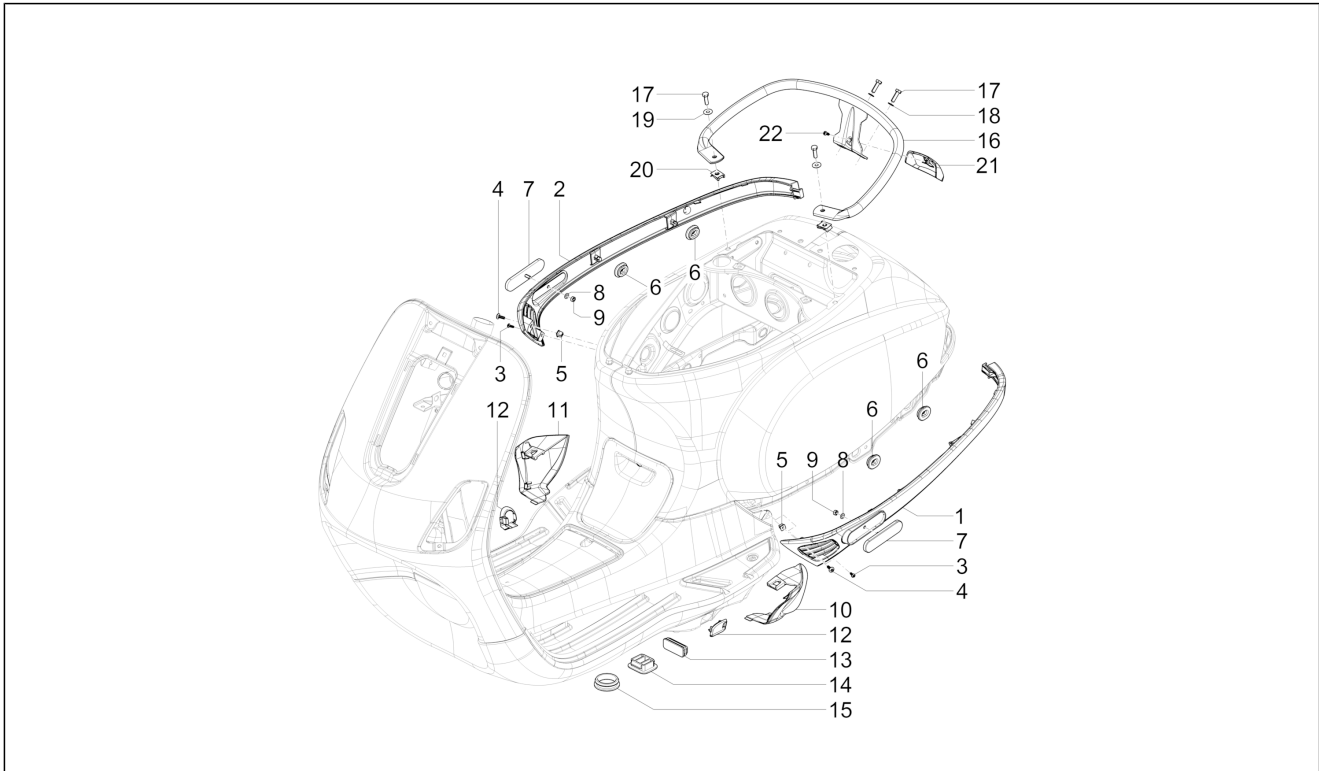
Pos.	Code	Description	Qty	Variants
11	S6726850000Q8	Right spoiler rear terminal	1	Colour: Beige[514/A] Model version: VXL Version[VXL] Colour: Beige[514/A] Model version: VXL Version[VXL] Colour: Beige[514/A] Model version: VXL Version[VXL]
11	S67268500BR	Right spoiler rear terminal	1	Colour: White[544] Model version: VX Version[VX] Colour: White[544] Model version: VX Version[VX] Colour: White[544] Model version: VX Version[VX]
11	S67268500GP	Right spoiler rear terminal	1	Colour: Yellow lime[928/A] Model version: VX Version[VX] Colour: Yellow lime[928/A] Model version: VX Version[VX] Colour: Yellow lime[928/A] Model version: VX Version[VX] Colour: Yellow lime[928/A] Model version: VXL Version[VXL] Colour: Yellow lime[928/A] Model version: VXL Version[VXL] Colour: Yellow lime[928/A] Model version: VXL Version[VXL] Colour: Yellow lime[928/A] Model version: VXL Version[VXL]
11	S67268500NL	Right spoiler rear terminal	1	Colour: BLACK[85/B] Model version: VX Version[VX] Colour: BLACK[85/B] Model version: VXL Version[VXL] Colour: BLACK[85/B] Model version: VXL Version[VXL] Colour: BLACK[85/B] Model version: VXL Version[VXL]

Group	Frame - Plastic parts - Coachwork
Code	02.32
Description	Side cover - Spoiler
Service	1



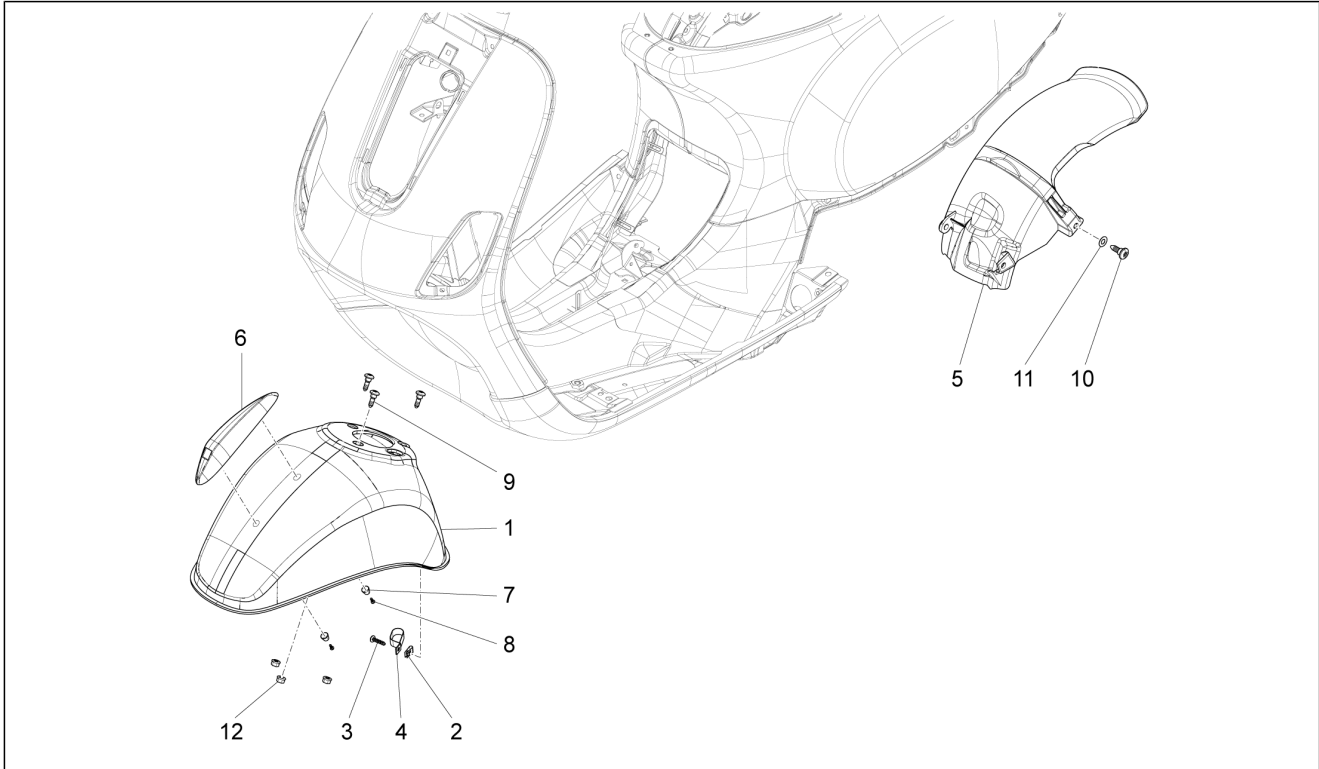
Pos.	Code	Description	Qty	Variants
				Colour: BLACK[85/B] Model version: VX Version[VX] Colour: BLACK[85/B] Model version: VX Version[VX] Colour: BLACK[85/B] Model version: SXL Version[SXL] Colour: BLACK[85/B] Model version: VXL Version[VXL] Colour: BLACK[85/B] Model version: VXL Version[VXL]
11	S67268500R7	Right spoiler rear terminal	1	Colour: DRAGON RED[894] Model version: VX Version[VX] Colour: DRAGON RED[894] Model version: VX Version[VX] Colour: DRAGON RED[894] Model version: VX Version[VX] Colour: DRAGON RED[894] Model version: VXL Version[VXL] Colour: DRAGON RED[894] Model version: VXL Version[VXL] Colour: DRAGON RED[894] Model version: VXL Version[VXL] Colour: DRAGON RED[894] Model version: VXL Version[VXL] Colour: DRAGON RED[894] Model version: VXL Version[VXL]
11	S67268500AI	Right spoiler rear terminal	1	Colour: Orange 938/A[938/A] Model version: SXL Version[SXL]
11	SP67268500000LC	Right spoiler rear terminal	1	Colour: Giallo 980/A[980/A] Model version: SXL Version[SXL]
11	R672685	Unfinished rear right spoiler terminal	1	
11	S67268500T5	Right spoiler rear terminal	1	Colour: Blue 277/A[277/A] Model version: VXL Version[VXL] Colour: Blue 277/A[277/A] Model version: SXL Version[SXL]

Group	Frame - Plastic parts - Coachwork
Code	02.32
Description	Side cover - Spoiler
Service	1



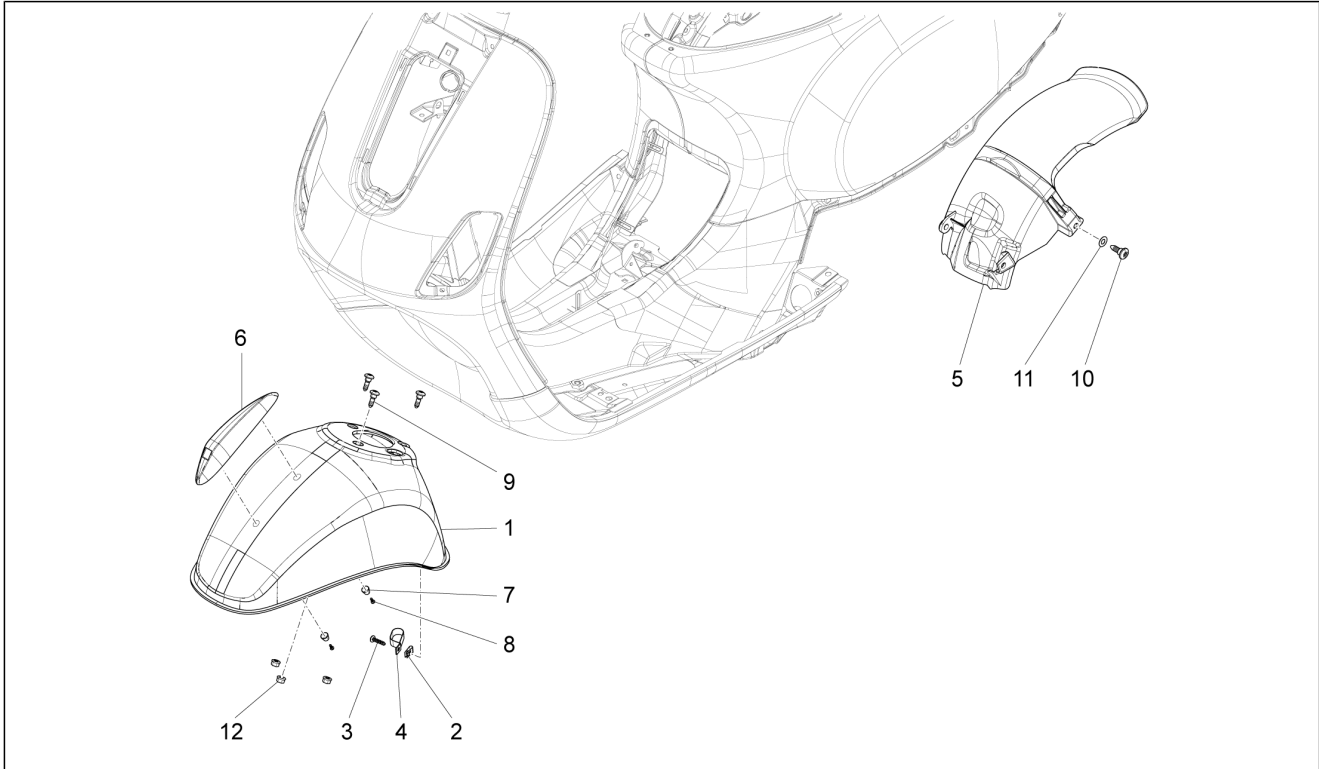
Pos.	Code	Description	Qty	Variants
12	620556	Spoiler cover	2	
13	299558	Cover	1	
14	299557	Cover	2	
15	299559	Cover	1	
16	1B000239	saddle handle with u.p.	1	
17	031090	Hex screw	4	
18	016406	Spring washer 6,4x11,8x1	2	
19	078307	Washer	2	
20	CM259202	Spring plate	2	
21	623336	Plug	1	
22	268596	Plug screw	1	

Group	Frame - Plastic parts - Coachwork
Code	02.33
Description	Wheel huosing - Mudguard
Service	1



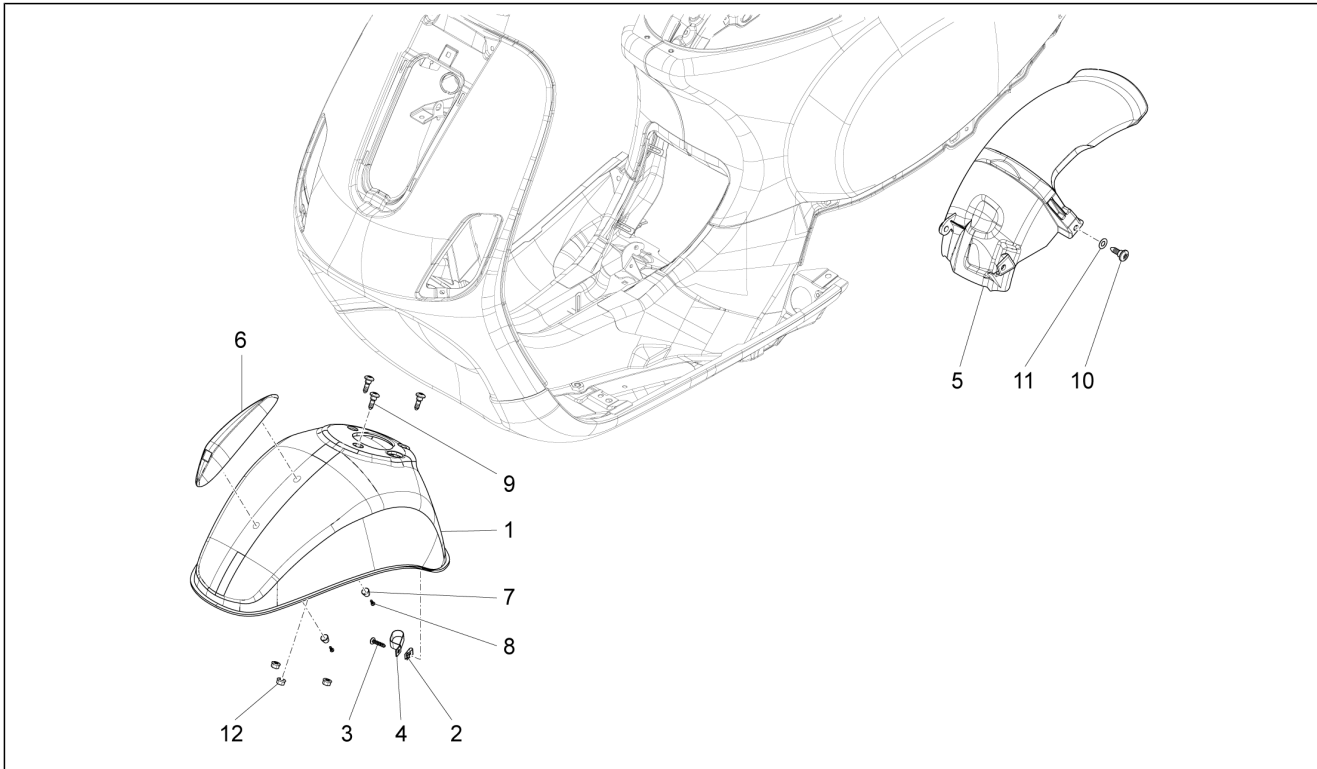
Pos.	Code	Description	Qty	Variants
1	SP1B002204000Q4	Painted front mudguard	1	Colour: White Tech 505/A[505/A] Model version: VXL Version[VXL] Colour: White Tech 505/A[505/A] Model version: VXL Version[VXL] Colour: White Tech 505/A[505/A] Model version: VXL Version[VXL] Colour: White Tech 505/A[505/A] Model version: VXL Version[VXL] Colour: White Tech 505/A[505/A] Model version: SXL Version[SXL] Colour: White Tech 505/A[505/A] Model version: VXL Version[VXL] Colour: White Tech 505/A[505/A] Model version: VXL Version[VXL]
1	SP1B002204000T5	Painted front mudguard	1	Colour: Blue 277/A[277/A] Model version: VXL Version[VXL] Colour: Blue 277/A[277/A] Model version: SXL Version[SXL]
1	SP1B002204000HL	Painted front mudguard	1	Colour: Grey[700/C] Model version: VXL Version[VXL] Colour: Grey[700/C] Model version: VXL Version[VXL] Colour: Grey[700/C] Model version: VXL Version[VXL] Colour: Grey[700/C] Model version: VXL Version[VXL] Colour: Grey[700/C] Model version: VXL Version[VXL]
1	SP1B002204000D02	Painted front mudguard	1	Colour: Azzurro provenza[296/A] Model version: VXL Version[VXL] Colour: Azzurro provenza[296/A] Model version: VXL Version[VXL] Colour: Azzurro provenza[296/A] Model version: VXL Version[VXL] Colour: Azzurro provenza[296/A] Model version: VXL Version[VXL]

Group	Frame - Plastic parts - Coachwork
Code	02.33
Description	Wheel huosing - Mudguard
Service	1



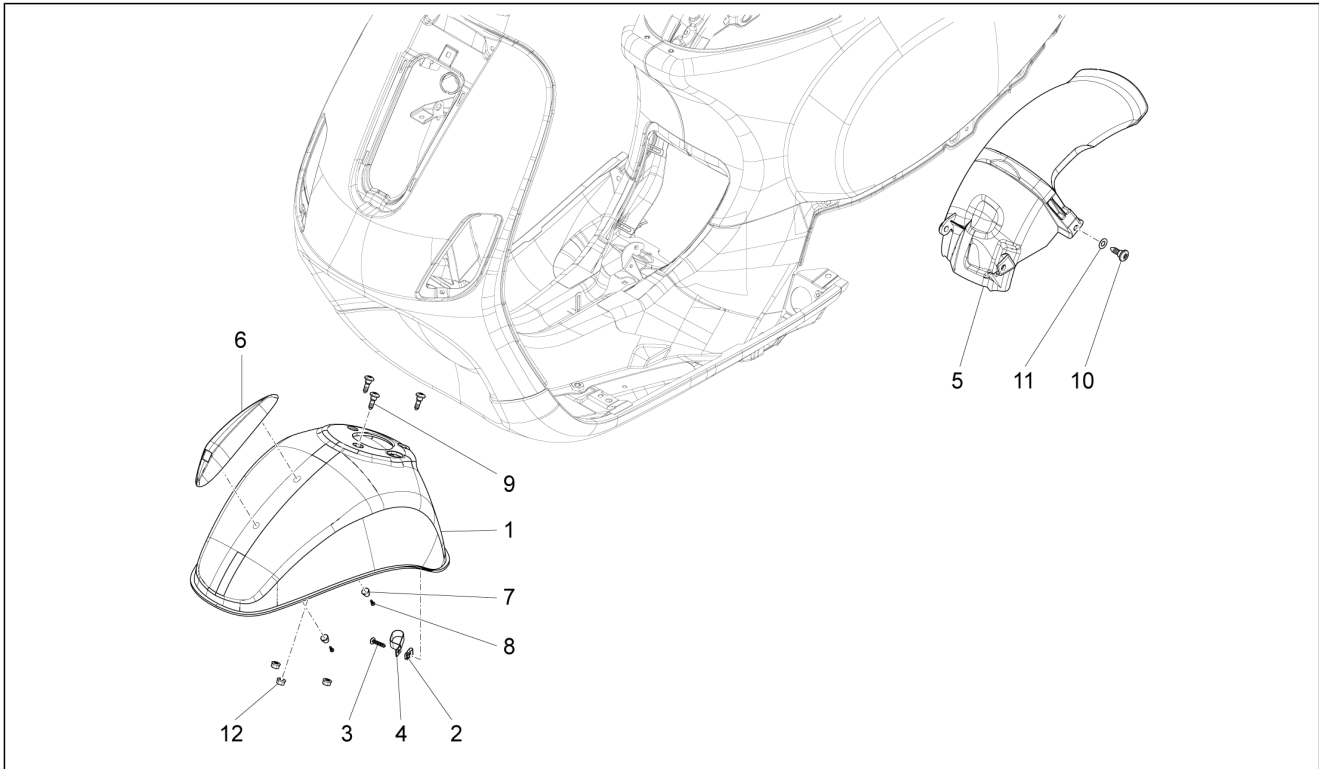
Pos.	Code	Description	Qty	Variants
				Model version: VXL Version[VXL] Colour: Azzurro provenza[296/A] Model version: VXL Version[VXL]
1	SB002204000Q8	Painted front mudguard	1	Colour: Beige[514/A] Model version: VXL Version[VXL] Colour: Beige[514/A] Model version: VXL Version[VXL] Colour: Beige[514/A] Model version: VXL Version[VXL]
1	1B002204	Front mudguard	1	
1	SP1B002204000NL	Painted front mudguard	1	Colour: BLACK[85/B] Model version: VX Version[VX] Colour: BLACK[85/B] Model version: VXL Version[VXL] Colour: BLACK[85/B] Model version: VXL Version[VXL] Colour: BLACK[85/B] Model version: VXL Version[VXL] Colour: BLACK[85/B] Model version: VX Version[VX] Colour: BLACK[85/B] Model version: VX Version[VX] Colour: BLACK[85/B] Model version: SXL Version[SXL] Colour: BLACK[85/B] Model version: VXL Version[VXL] Colour: BLACK[85/B] Model version: VXL Version[VXL]
1	SP1B002204000GP	Painted front mudguard	1	Colour: Yellow lime[928/A] Model version: VX Version[VX] Colour: Yellow lime[928/A] Model version: VX Version[VX] Colour: Yellow lime[928/A] Model version: VX Version[VX] Colour: Yellow lime[928/A] Model version: VXL Version[VXL]

Group	Frame - Plastic parts - Coachwork
Code	02.33
Description	Wheel huosing - Mudguard
Service	1



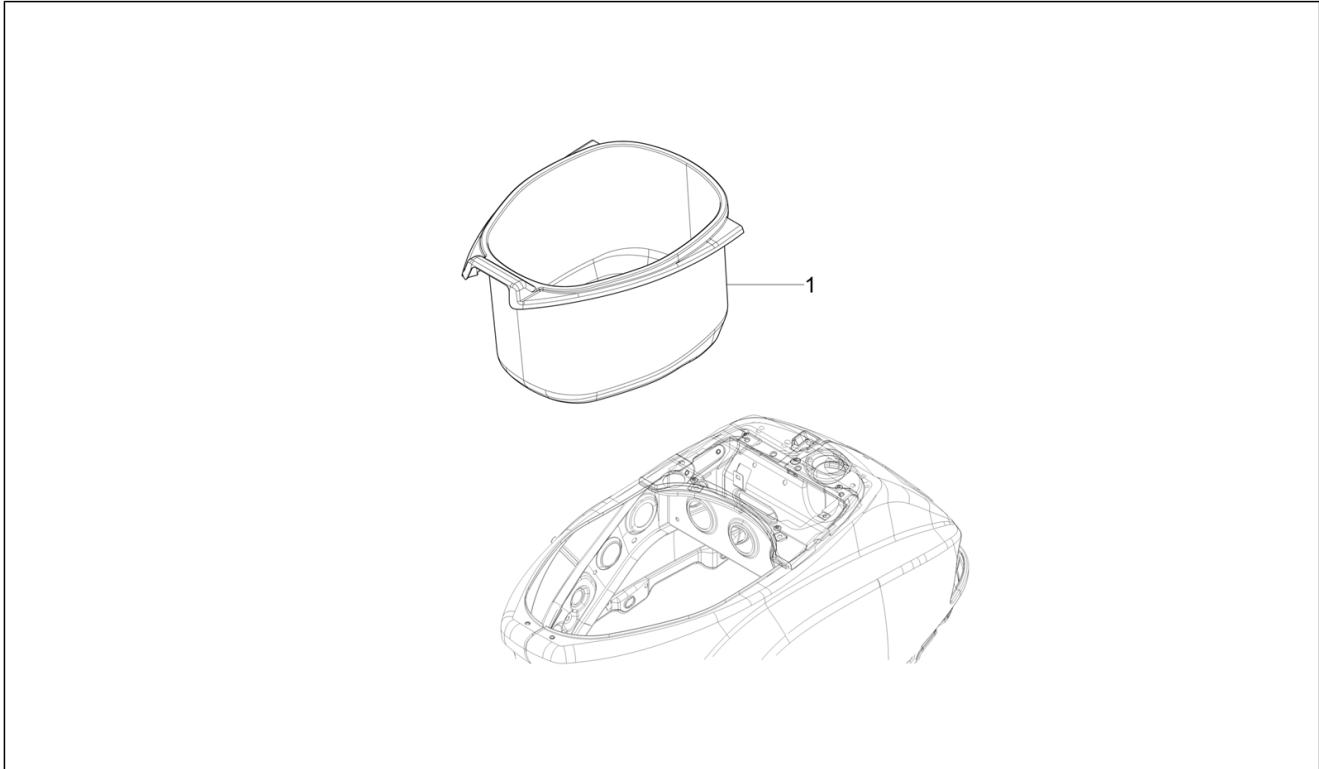
Pos.	Code	Description	Qty	Variants
				Colour: Yellow lime[928/A] Model version: VXL Version[VXL] Colour: Yellow lime[928/A] Model version: VXL Version[VXL] Colour: Yellow lime[928/A] Model version: VXL Version[VXL] Colour: Yellow lime[928/A] Model version: VXL Version[VXL]
1	SP1B002204000R7	Painted front mudguard	1	Colour: DRAGON RED[894] Model version: VX Version[VX] Colour: DRAGON RED[894] Model version: VX Version[VX] Colour: DRAGON RED[894] Model version: VX Version[VX] Colour: DRAGON RED[894] Model version: VXL Version[VXL] Colour: DRAGON RED[894] Model version: VXL Version[VXL] Colour: DRAGON RED[894] Model version: VXL Version[VXL] Colour: DRAGON RED[894] Model version: VXL Version[VXL] Colour: DRAGON RED[894] Model version: VXL Version[VXL]
1	SP1B002204000BR	Painted front mudguard	1	Colour: White[544] Model version: VX Version[VX] Colour: White[544] Model version: VX Version[VX] Colour: White[544] Model version: VX Version[VX]
1	SP1B002204000AI	Painted front mudguard	1	Colour: Orange 938/A[938/A] Model version: SXL Version[SXL]
1	SP1B002204000LC	Painted front mudguard	1	Colour: Giallo 980/A[980/A] Model version: SXL Version[SXL]
2	CM017410	Spring plate	1	

Group	Frame - Plastic parts - Coachwork
Code	02.33
Description	Wheel huosing - Mudguard
Service	1



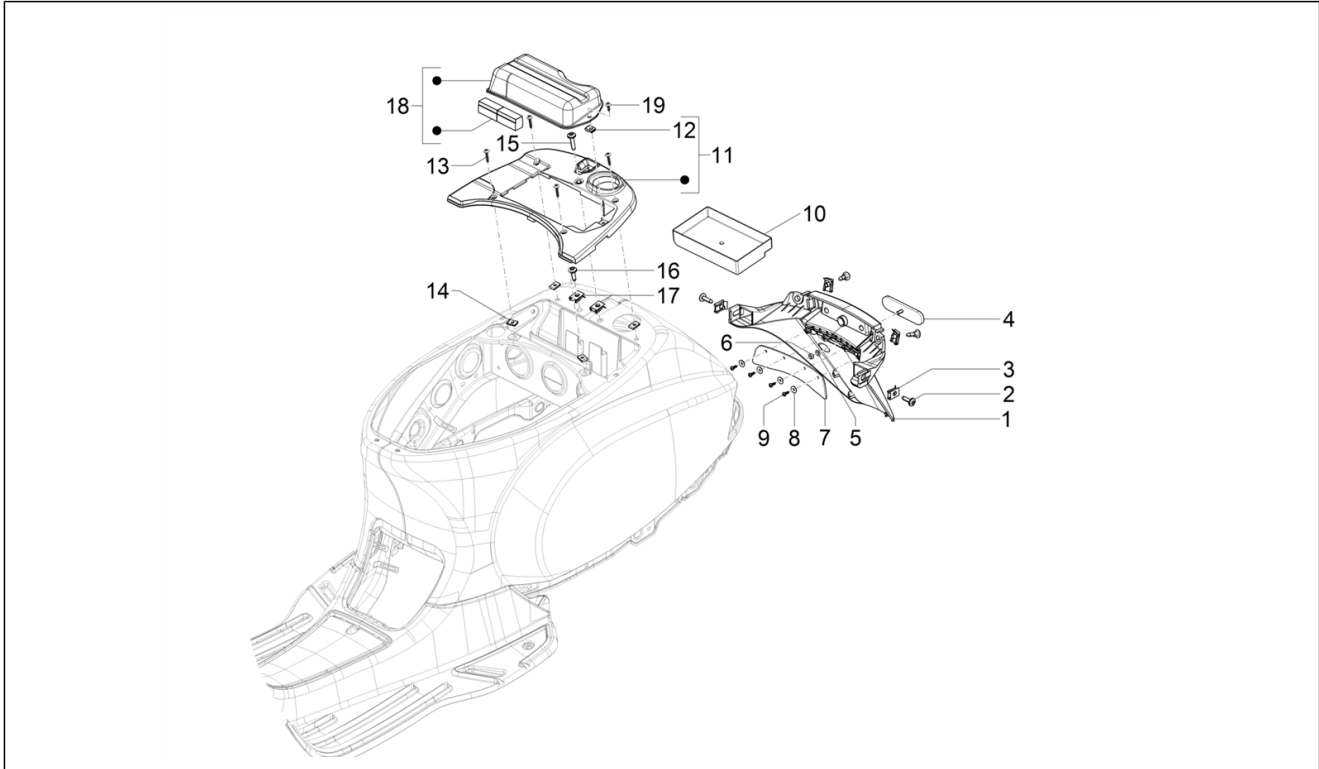
Pos.	Code	Description	Qty	Variants
3	015900	Self tapping screw	1	
4	1C001708	Spring	1	
5	1B002266	Rear mudguard	1	
6	1B000042	Mudguard crest	1	
7	192598	Cap	2	
8	015727	Self tapping screw 2,9x9,5	2	
9	575249	Metric screw TBC	3	
10	575249	Metric screw TBC	1	
11	709047	Spring washer	1	
12	241936	Self locking nut M6	3	

Group	Frame - Plastic parts - Coachwork
Code	02.34
Description	Helmet huosing - Undersaddle
Service	1



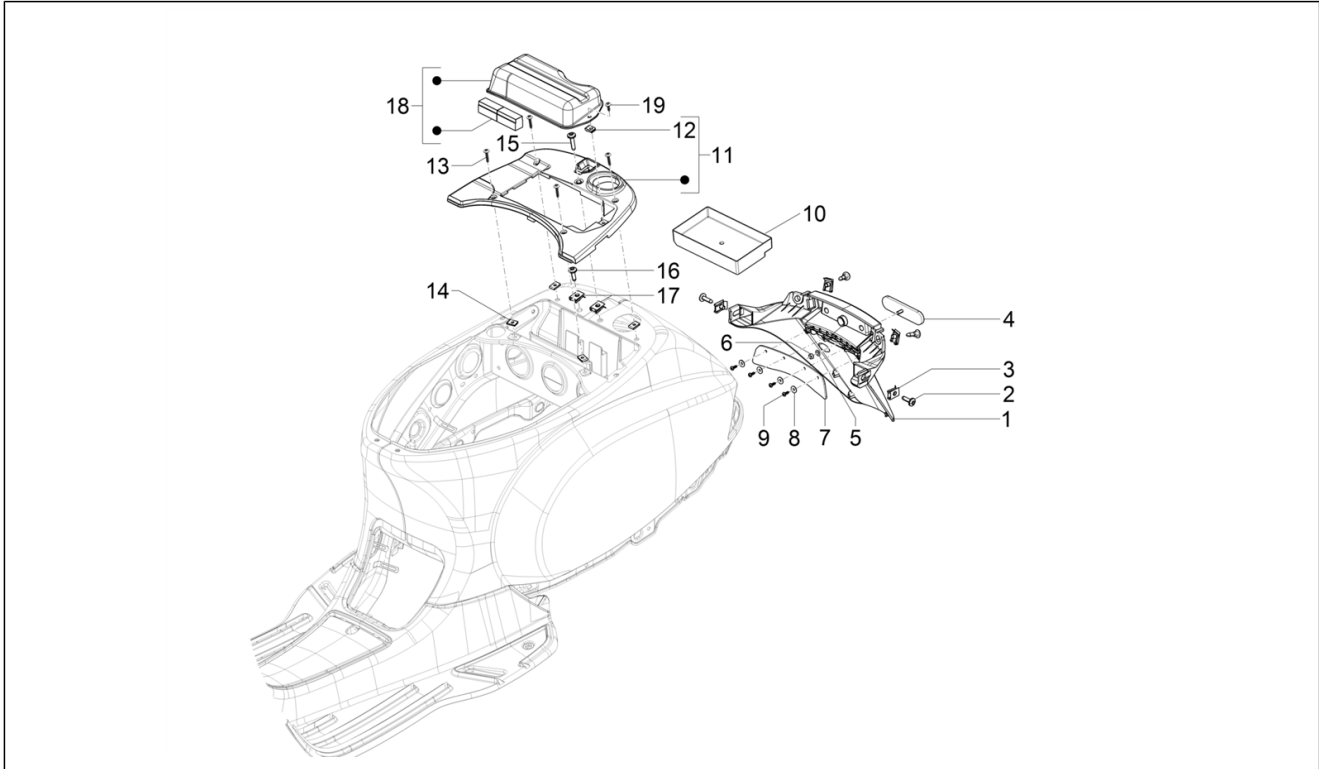
Pos.	Code	Description	Qty	Variants
1	672693	Helmet compartment	1	

Group	Frame - Plastic parts - Coachwork
Code	02.37
Description	Rear cover - Splash guard
Service	1



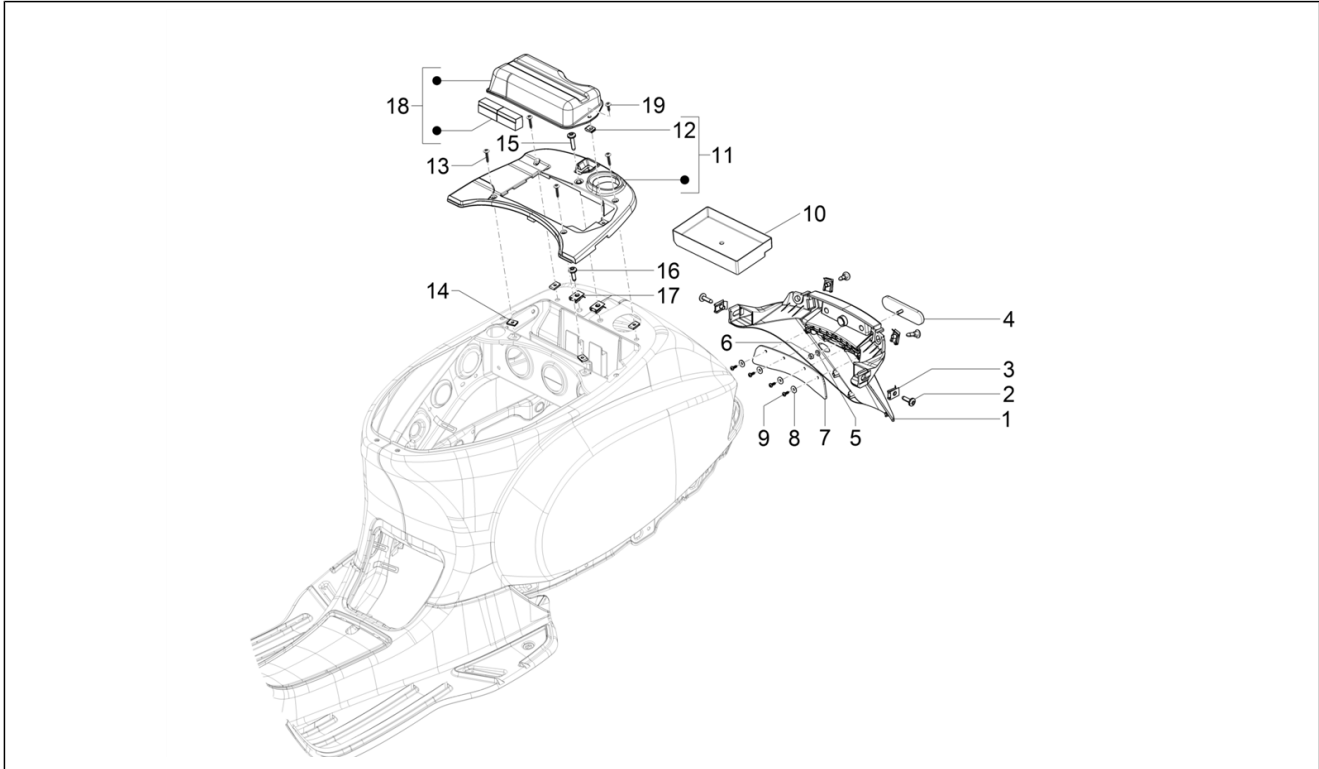
Pos.	Code	Description	Qty	Variants
1	SP1B002528000NL	Painted rear protection	1	Colour: BLACK[85/B] Model version: VX Version[VX] Colour: BLACK[85/B] Model version: VXL Version[VXL] Colour: BLACK[85/B] Model version: VXL Version[VXL] Colour: BLACK[85/B] Model version: VX Version[VX] Colour: BLACK[85/B] Model version: VX Version[VX] Colour: BLACK[85/B] Model version: VXL Version[SXL] Colour: BLACK[85/B] Model version: VXL Version[VXL] Colour: BLACK[85/B] Model version: VXL Version[VXL]
1	1B002528	Rear protection	1	
1	SP1B002528000Q4	Painted rear protection	1	Colour: White Tech 505/A[505/A] Model version: VXL Version[VXL] Colour: White Tech 505/A[505/A] Model version: VXL Version[VXL] Colour: White Tech 505/A[505/A] Model version: VXL Version[VXL] Colour: White Tech 505/A[505/A] Model version: VXL Version[VXL] Colour: White Tech 505/A[505/A] Model version: SXL Version[SXL] Colour: White Tech 505/A[505/A] Model version: VXL Version[VXL]
1	SP1B002528000T5	Painted rear protection	1	Colour: Blue 277/A[277/A] Model version: VXL Version[VXL] Colour: Blue 277/A[277/A] Model version: SXL Version[SXL]
1	SB002528000Q8	Painted rear protection	1	Colour: Beige[514/A]

Group	Frame - Plastic parts - Coachwork
Code	02.37
Description	Rear cover - Splash guard
Service	1



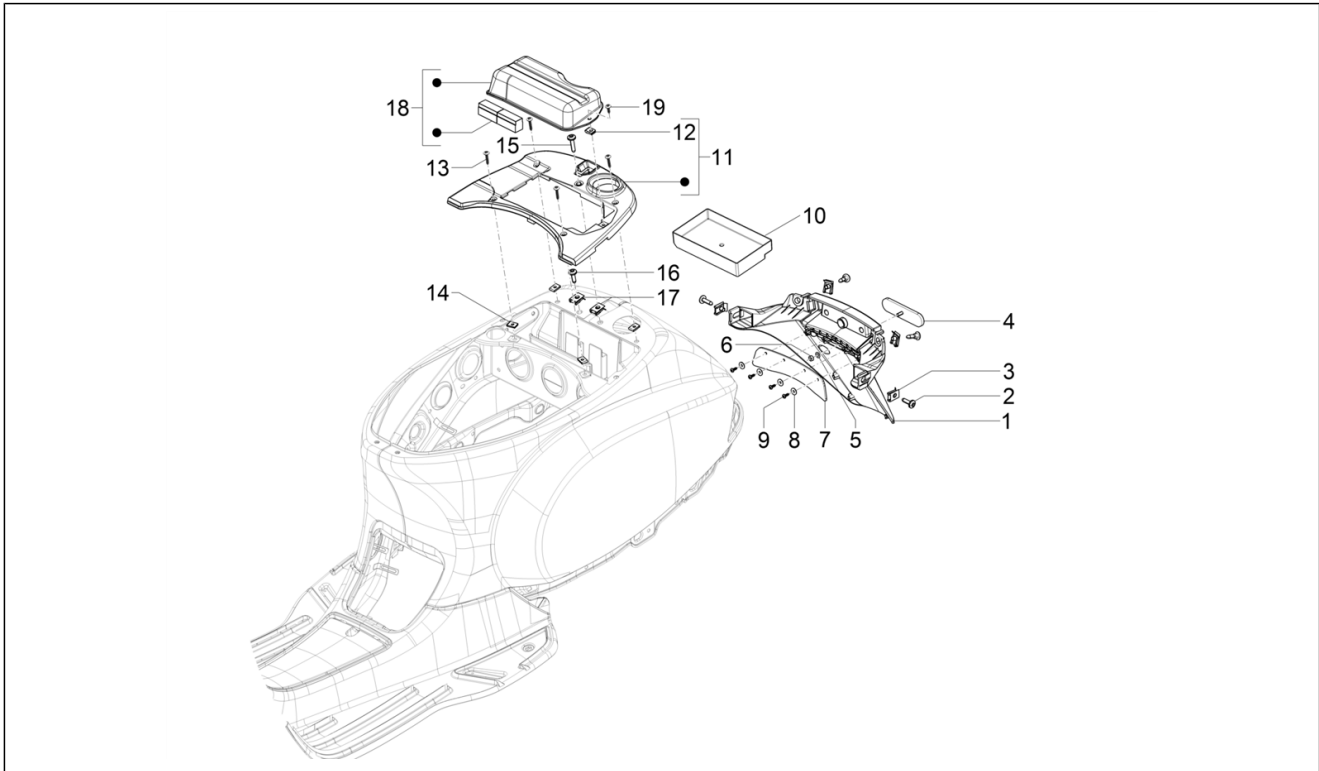
Pos.	Code	Description	Qty	Variants
				Model version: VXL Version[VXL] Colour: Beige[514/A] Model version: VXL Version[VXL]
1	SP1B002528000GP	Painted rear protection	1	Colour: Yellow lime[928/A] Model version: VX Version[VX] Colour: Yellow lime[928/A] Model version: VX Version[VX] Colour: Yellow lime[928/A] Model version: VX Version[VX] Colour: Yellow lime[928/A] Model version: VXL Version[VXL] Colour: Yellow lime[928/A] Model version: VXL Version[VXL] Colour: Yellow lime[928/A] Model version: VXL Version[VXL] Colour: Yellow lime[928/A] Model version: VXL Version[VXL] Colour: Yellow lime[928/A] Model version: VXL Version[VXL]
1	SP1B002528000BR	Painted rear protection	1	Colour: White[544] Model version: VX Version[VX] Colour: White[544] Model version: VX Version[VX] Colour: White[544] Model version: VX Version[VX]
1	SP1B002528000R7	Painted rear protection	1	Colour: DRAGON RED[894] Model version: VX Version[VX] Colour: DRAGON RED[894] Model version: VX Version[VX] Colour: DRAGON RED[894] Model version: VX Version[VX] Colour: DRAGON RED[894] Model version: VXL Version[VXL] Colour: DRAGON RED[894] Model version: VXL Version[VXL] Colour: DRAGON RED[894] Model version: VXL Version[VXL]

Group	Frame - Plastic parts - Coachwork
Code	02.37
Description	Rear cover - Splash guard
Service	1



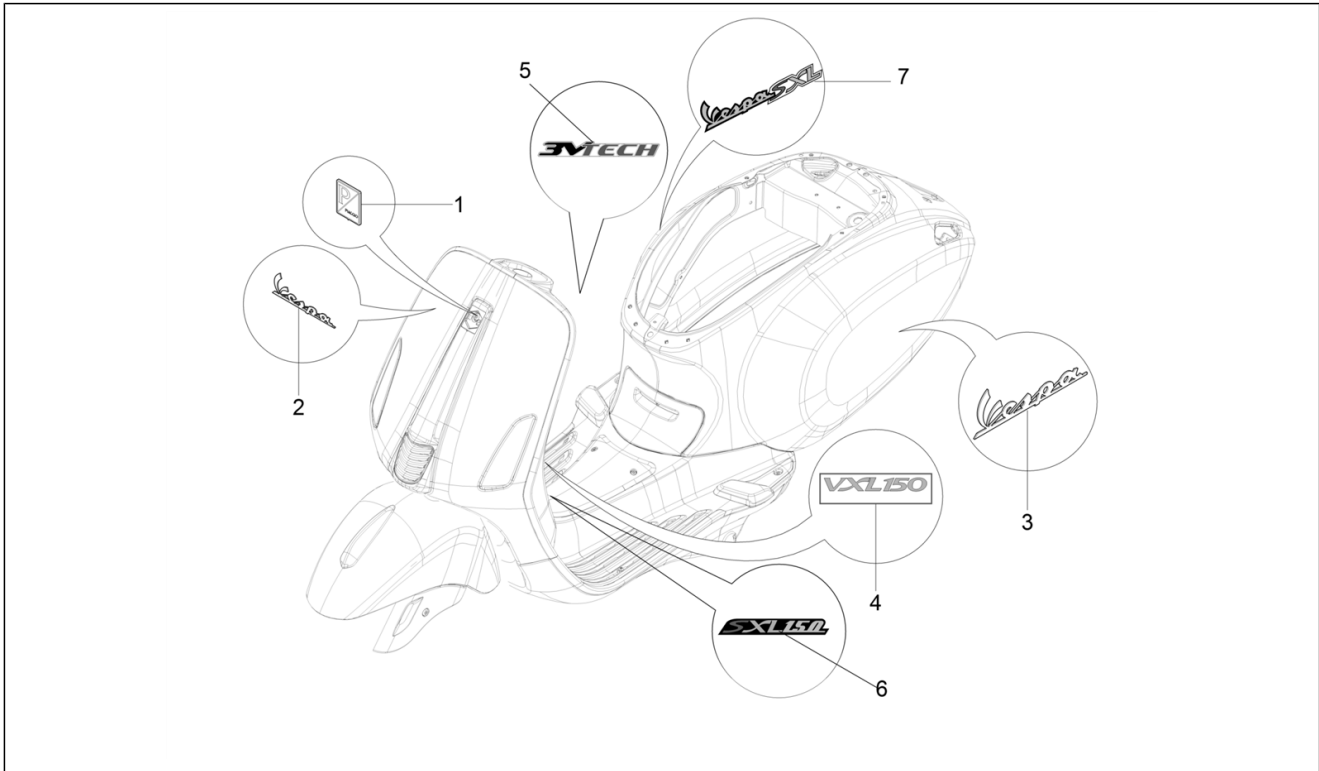
Pos.	Code	Description	Qty	Variants
				Colour:DRAGON RED[894] Model version:VXL Version[VXL] Colour:DRAGON RED[894] Model version:VXL Version[VXL]
1	SP1B002528000AI	Painted rear protection	1	Colour:Orange 938/A[938/A] Model version:SXL Version[SXL]
1	SP1B002528000LC	Painted rear protection	1	Colour:Giallo 980/A[980/A] Model version:SXL Version[SXL]
1	SP1B002528000D02	Painted rear protection	1	Colour:Azzurro provenza[296/A] Model version:VXL Version[VXL] Colour:Azzurro provenza[296/A] Model version:VXL Version[VXL] Colour:Azzurro provenza[296/A] Model version:VXL Version[VXL] Colour:Azzurro provenza[296/A] Model version:VXL Version[VXL] Colour:Azzurro provenza[296/A] Model version:VXL Version[VXL]
1	SP1B002528000HL	Painted rear protection	1	Colour:Grey[700/C] Model version:VXL Version[VXL] Colour:Grey[700/C] Model version:VXL Version[VXL] Colour:Grey[700/C] Model version:VXL Version[VXL] Colour:Grey[700/C] Model version:VXL Version[VXL] Colour:Grey[700/C] Model version:VXL Version[VXL]
2	CM179302	Metric screw TBC	4	
3	254485	Spring plate M6	4	
4	642906	Rear reflector	1	
5	006965	Washer 5.3x10x10	1	
6	020105	Nut	1	
7	623420	Splash guard	1	

Group	Frame - Plastic parts - Coachwork
Code	02.37
Description	Rear cover - Splash guard
Service	1



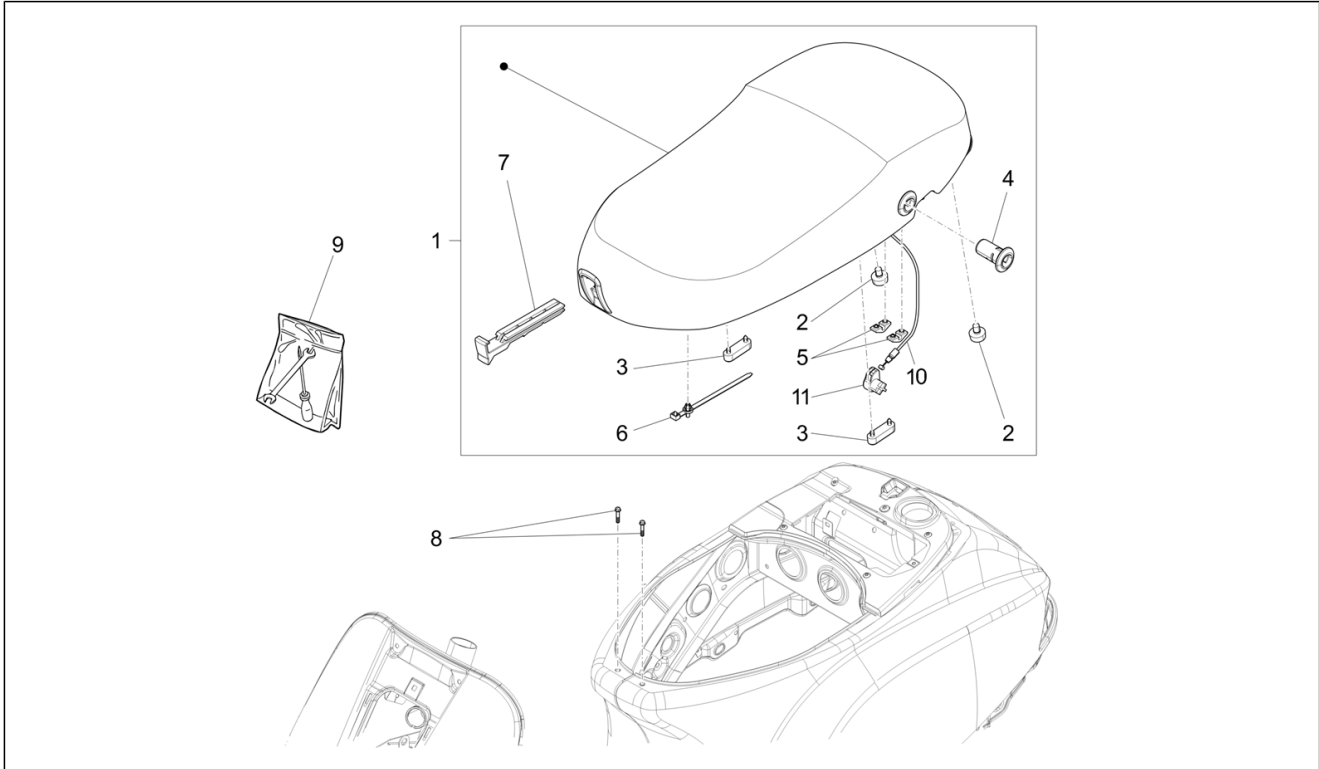
Pos.	Code	Description	Qty	Variants
8	013763	Flat washer 4,2x12x1	4	
9	297498	Self tapping screw	4	
10	675396	Battery holder tray	1	
11	1B001409	Complete battery tank cover	1	
12	CM017410	Spring plate	1	
13	CM178608	Self tapping screw	4	
14	CM178604	Self-tap screw	4	
15	CM179303	Screw metrica	1	
16	CM179302	Metric screw TBC	1	
17	254485	Spring plate M6	2	
18	576017	Complete battery cover	1	
19	259349	Screw M4,2x13	1	

Group	Frame - Plastic parts - Coachwork
Code	02.38
Description	Plates - Emblems
Service	1



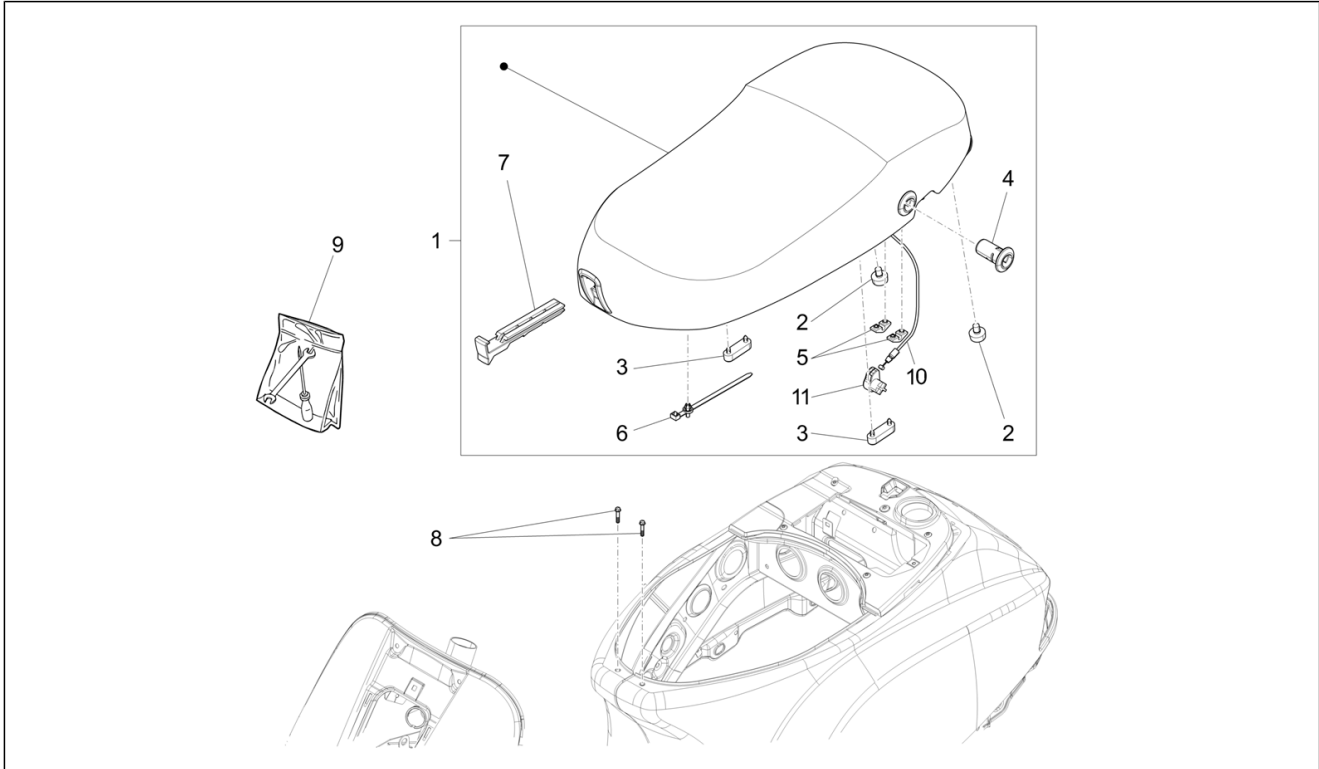
Pos.	Code	Description	Qty	Variants
1	576464	Shield "Piaggio"	1	
2	656219	""""Vespa"" front label"	1	
3	656220	""""Vespa"" lateral label"	1	
4	2H001225	"VXL 150" badge	1	Model version: VXL Version[VXL]
5	2H003349	3VTECH Label	1	Model version: VXL Version[VXL]
6	2H001222	"SXL150" Label	1	Model version: SXL Version[SXL]
7	2H001223	"Vespa SXL" Label	1	Model version: SXL Version[SXL]

Group	Frame - Plastic parts - Coachwork
Code	02.39
Description	Saddle/seats
Service	1



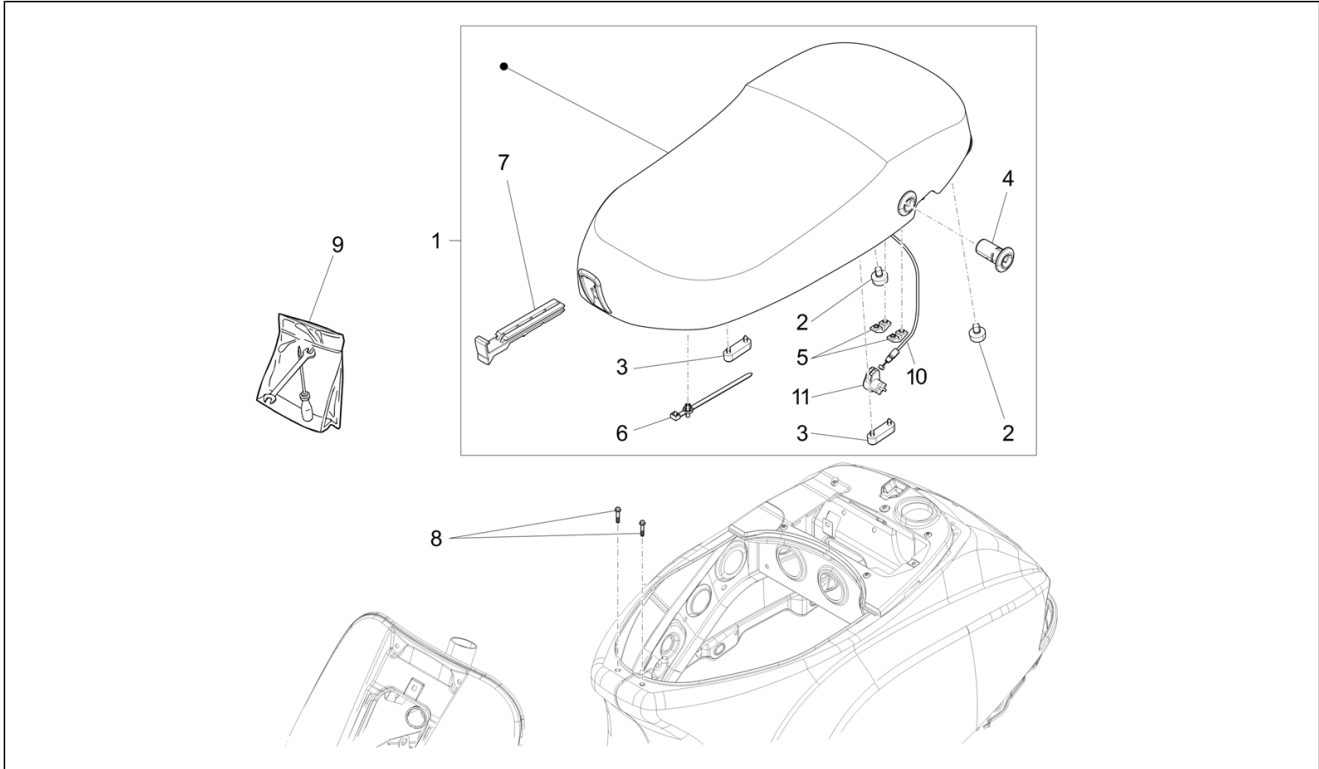
Pos.	Code	Description	Qty	Variants
1	1B002112000C1	Saddle assembly matt black Black	1	Colour: White[544] Model version: VX Version[VX] Colour: Yellow lime[928/A] Model version: VX Version[VX] Colour: Yellow lime[928/A] Model version: VX Version[VX] Colour: BLACK[85/B] Model version: VX Version[VX] Colour: Yellow lime[928/A] Model version: VX Version[VX] Colour: White[544] Model version: VX Version[VX] Colour: Yellow lime[928/A] Model version: VXL Version[VXL] Colour: Azzurro provenza[296/A] Model version: VXL Version[VXL] Colour: DRAGON RED[894] Model version: VXL Version[VXL] Colour: Yellow lime[928/A] Model version: VXL Version[VXL] Colour: Azzurro provenza[296/A] Model version: VXL Version[VXL] Colour: BLACK[85/B] Model version: VX Version[VX] Colour: White[544] Model version: VX Version[VX] Colour: BLACK[85/B] Model version: VX Version[VX] Colour: DRAGON RED[894] Model version: VXL Version[VXL]
1	1B002112000C2	Saddle assembly matt black Beige	1	Colour: DRAGON RED[894] Model version: VX Version[VX] Colour: DRAGON RED[894] Model version: VX Version[VX] Colour: DRAGON RED[894] Model version: VX Version[VX]

Group	Frame - Plastic parts - Coachwork
Code	02.39
Description	Saddle/seats
Service	1



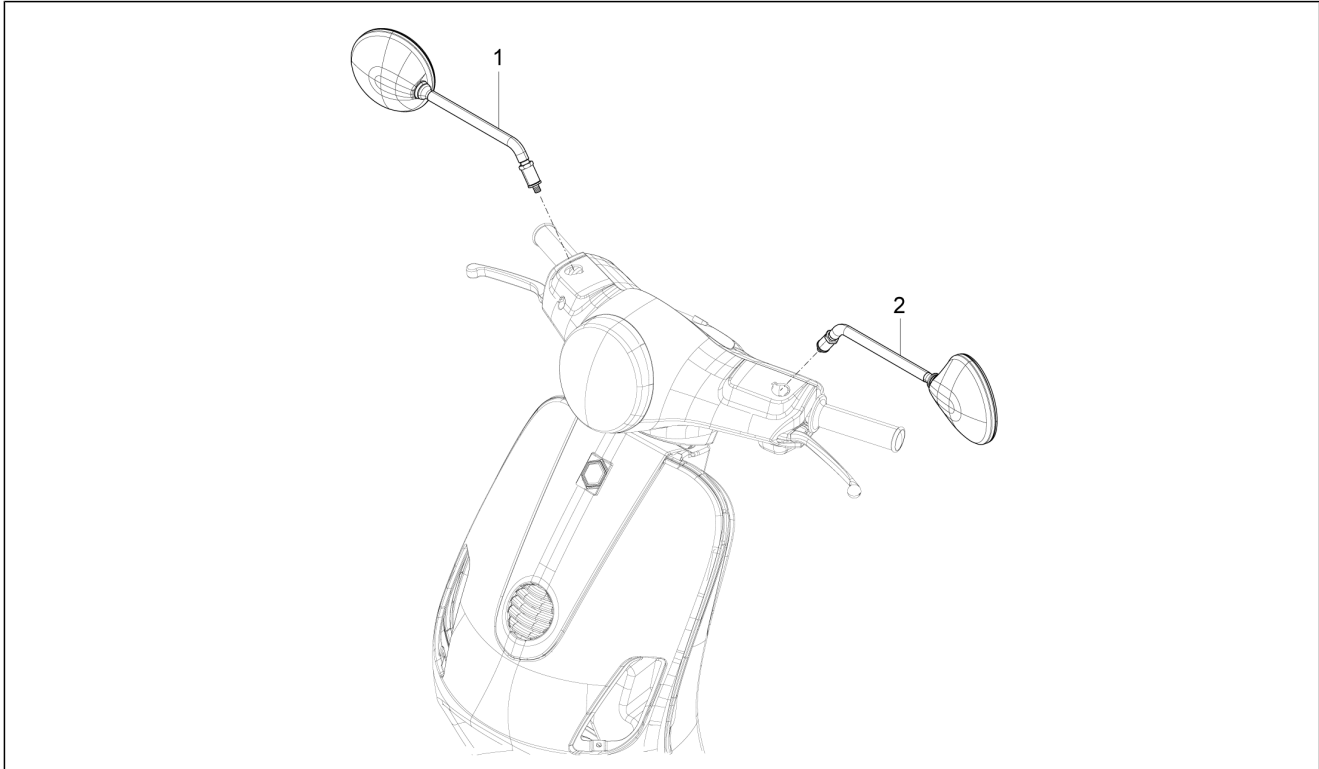
Pos.	Code	Description	Qty	Variants
1	1B002605000C4	Saddle assembly black cuciture grigie scuro, profilo bianco	1	Colour: BLACK[85/B] Model version: SXL Version[SXL] Colour: White Tech 505/A[505/A] Model version: SXL Version[SXL] Colour: Blue 277/A[277/A] Model version: SXL Version[SXL] Colour: Orange 938/A[938/A] Model version: SXL Version[SXL] Colour: Giallo 980/A[980/A] Model version: SXL Version[SXL]
1	1B002112000C3	Saddle assembly matt black Light Brown	1	Colour: Grey[700/C] Model version: VXL Version[VXL] Colour: White Tech 505/A[505/A] Model version: VXL Version[VXL] Colour: BLACK[85/B] Model version: VXL Version[VXL] Colour: BLACK[85/B] Model version: VXL Version[VXL] Colour: Blue 277/A[277/A] Model version: VXL Version[VXL] Colour: BLACK[85/B] Model version: VXL Version[VXL] Colour: DRAGON RED[894] Model version: VXL Version[VXL] Colour: Grey[700/C] Model version: VXL Version[VXL] Colour: DRAGON RED[894] Model version: VXL Version[VXL] Colour: Grey[700/C] Model version: VXL Version[VXL] Colour: Grey[700/C] Model version: VXL Version[VXL] Colour: DRAGON RED[894] Model version: VXL Version[VXL] Colour: BLACK[85/B] Model version: VXL Version[VXL] Colour: BLACK[85/B]

Group	Frame - Plastic parts - Coachwork
Code	02.39
Description	Saddle/seats
Service	1



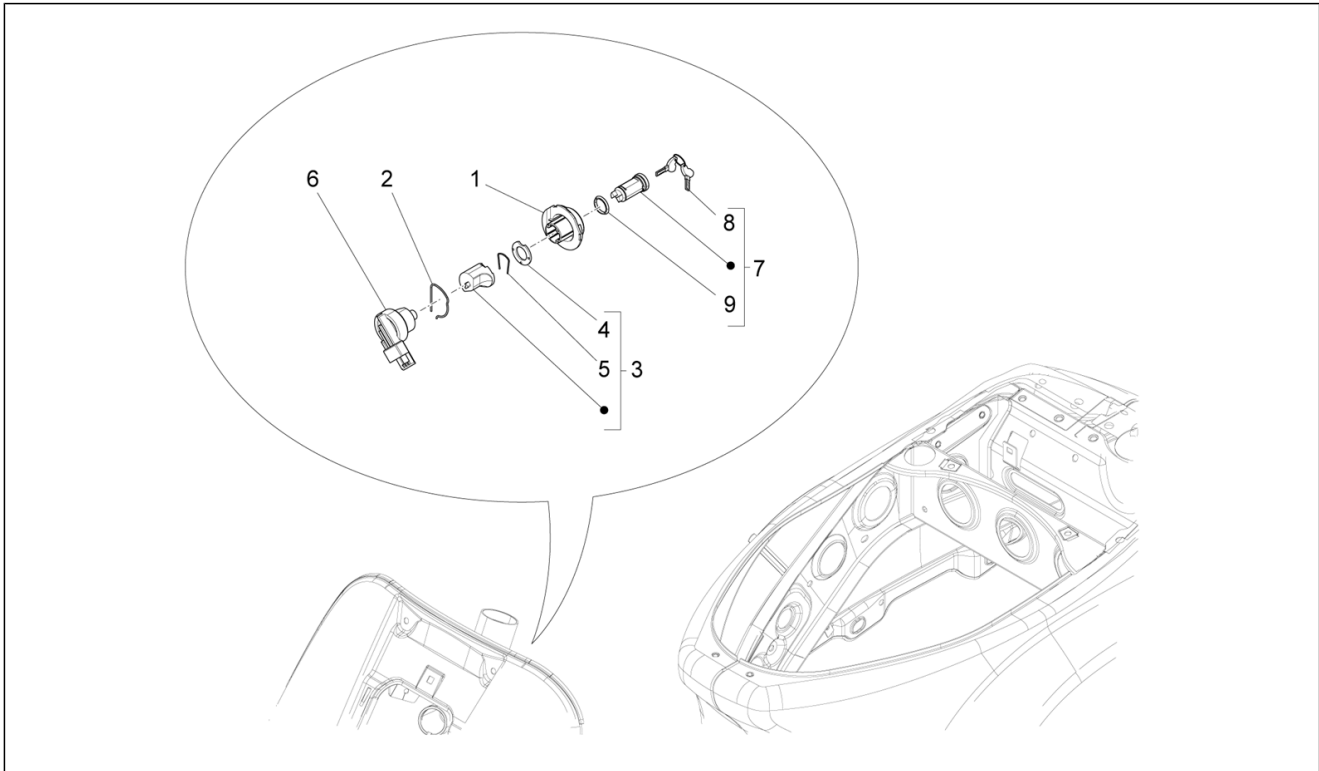
Pos.	Code	Description	Qty	Variants
				Model version: VXL Version[VXL] Colour: White Tech 505/A[505/A] Model version: VXL Version[VXL] Colour: Grey[700/C] Model version: VXL Version[VXL]
1	2H000609000C3	Complete two-seater saddle	1	Colour: Azzurro provenza[296/A] Model version: VXL Version[VXL] Colour: Beige[514/A] Model version: VXL Version[VXL] Colour: Azzurro provenza[296/A] Model version: VXL Version[VXL] Colour: Beige[514/A] Model version: VXL Version[VXL] Colour: Azzurro provenza[296/A] Model version: VXL Version[VXL] Colour: Beige[514/A] Model version: VXL Version[VXL] Colour: White Tech 505/A[505/A] Model version: VXL Version[VXL]
2	577492	Pad	2	
3	296456	Stop buffer	2	
4	674311	Saddle lock support	1	
5	296743	Bracket	2	
6	298729	Hose clamp	1	
7	674179	Bag holder hook	1	
8	B016426	Screw w/ flange M6x14	2	
9	1C002402	Tool set, standard l/jack	1	
10	673563	Transmission comando apertura sella	1	
11	674306	Cam	1	

Group	Frame - Plastic parts - Coachwork
Code	02.45
Description	Driving mirror/s
Service	1



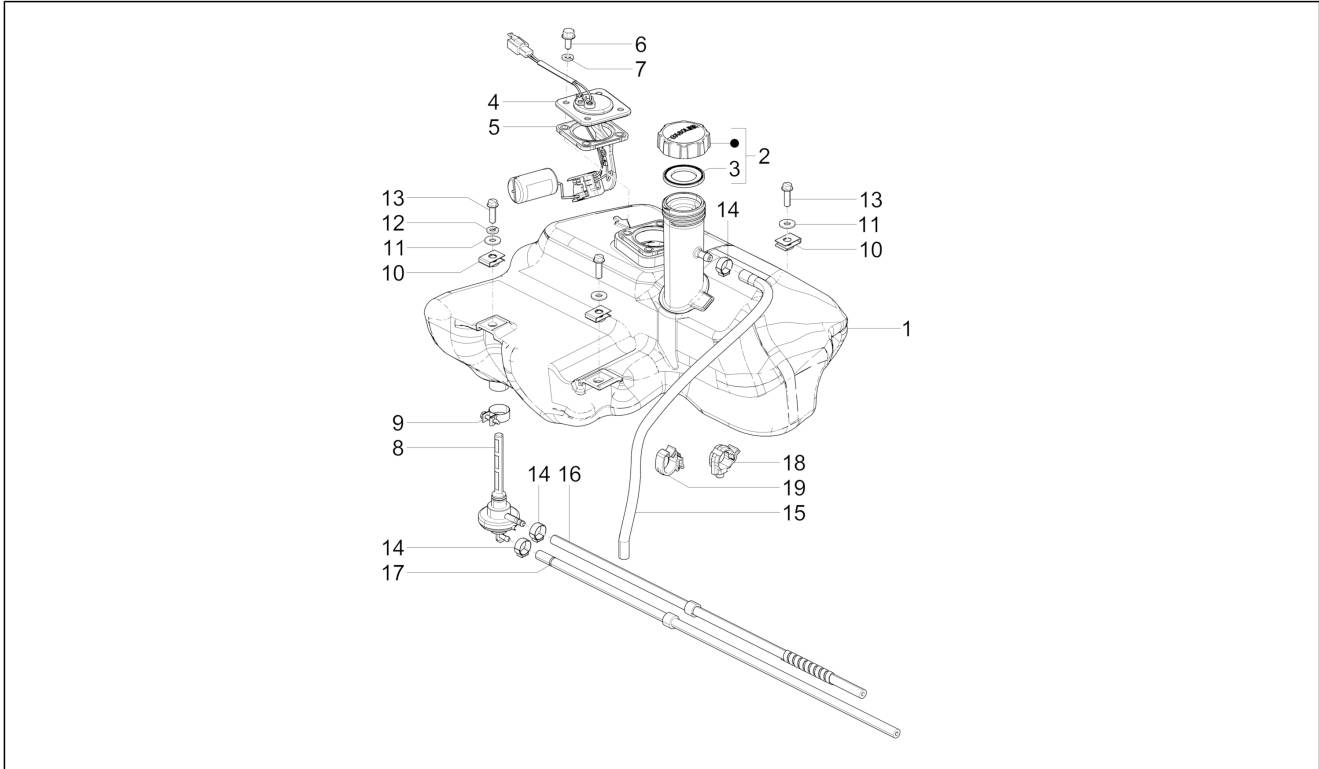
Pos.	Code	Description	Qty	Variants
1	CM182504	RH rearview mirror	1	Colour: Azzurro provenza[296/A] Model version: VXL Version[VXL] Colour: Beige[514/A] Model version: VXL Version[VXL] Colour: White Tech 505/A[505/A] Model version: VXL Version[VXL]
1	CM182502	RH rearview mirror	1	
1	CM301502	RH rearview mirror	1	Colour: BLACK[85/B] Model version: SXL Version[SXL] Colour: White Tech 505/A[505/A] Model version: SXL Version[SXL] Colour: Blue 277/A[277/A] Model version: SXL Version[SXL] Colour: Orange 938/A[938/A] Model version: SXL Version[SXL] Colour: Giallo 980/A[980/A] Model version: SXL Version[SXL]
2	CM182501	LH rearview mirror	1	
2	CM301501	LH rearview mirror	1	Colour: BLACK[85/B] Model version: SXL Version[SXL] Colour: White Tech 505/A[505/A] Model version: SXL Version[SXL] Colour: Blue 277/A[277/A] Model version: SXL Version[SXL] Colour: Orange 938/A[938/A] Model version: SXL Version[SXL] Colour: Giallo 980/A[980/A] Model version: SXL Version[SXL]

Group	Frame - Plastic parts - Coachwork
Code	02.46
Description	Locks
Service	1



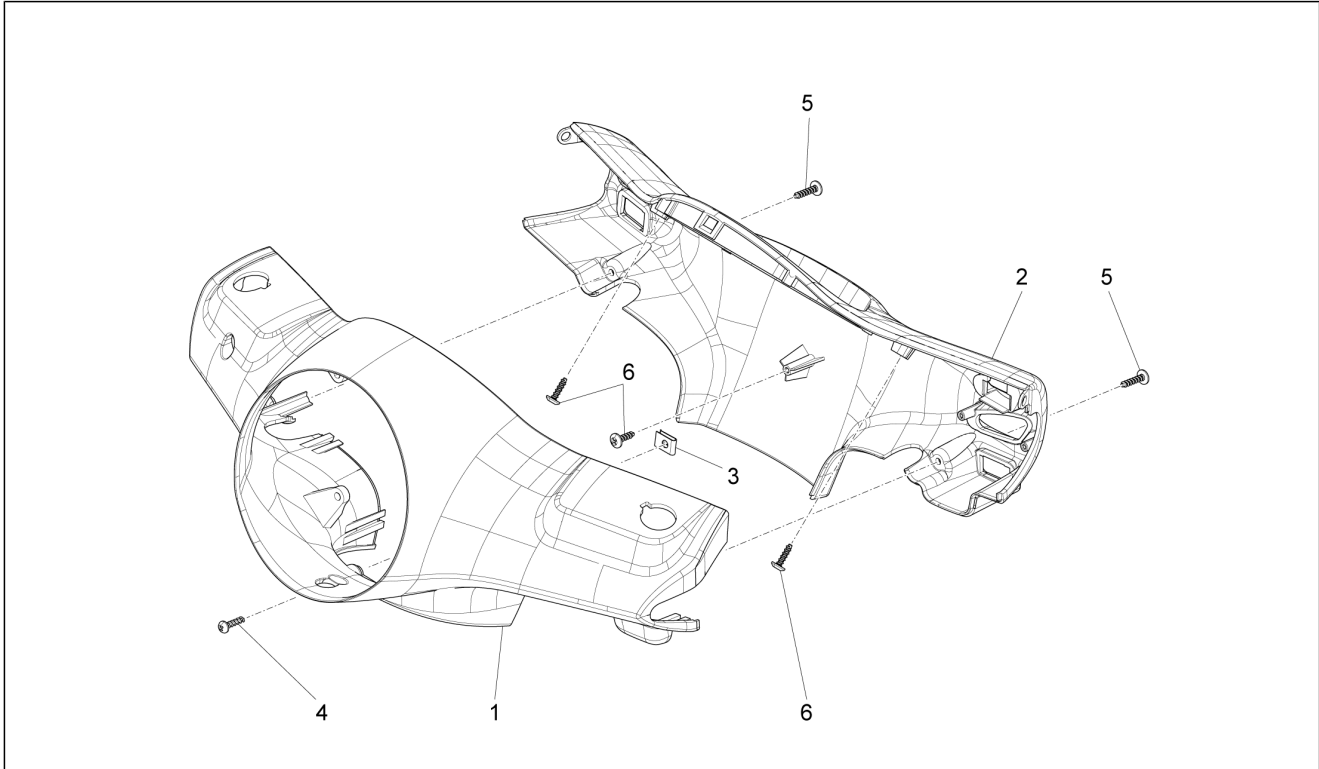
Pos.	Code	Description	Qty	Variants
1	1B002607	Lock body	1	
2	253937	Spring	1	
3	1B006291	Complete lock block	1	
4	298594	Flat washer	1	
5	298838	Cylinder retainer spring	1	
6	643133	Key switch	1	
7	1B000570	Cylinder set	1	
8	573960	Key blank	1	
9	298731	Gasket ring	1	

Group	Frame - Plastic parts - Coachwork
Code	02.47
Description	Fuel tank
Service	1



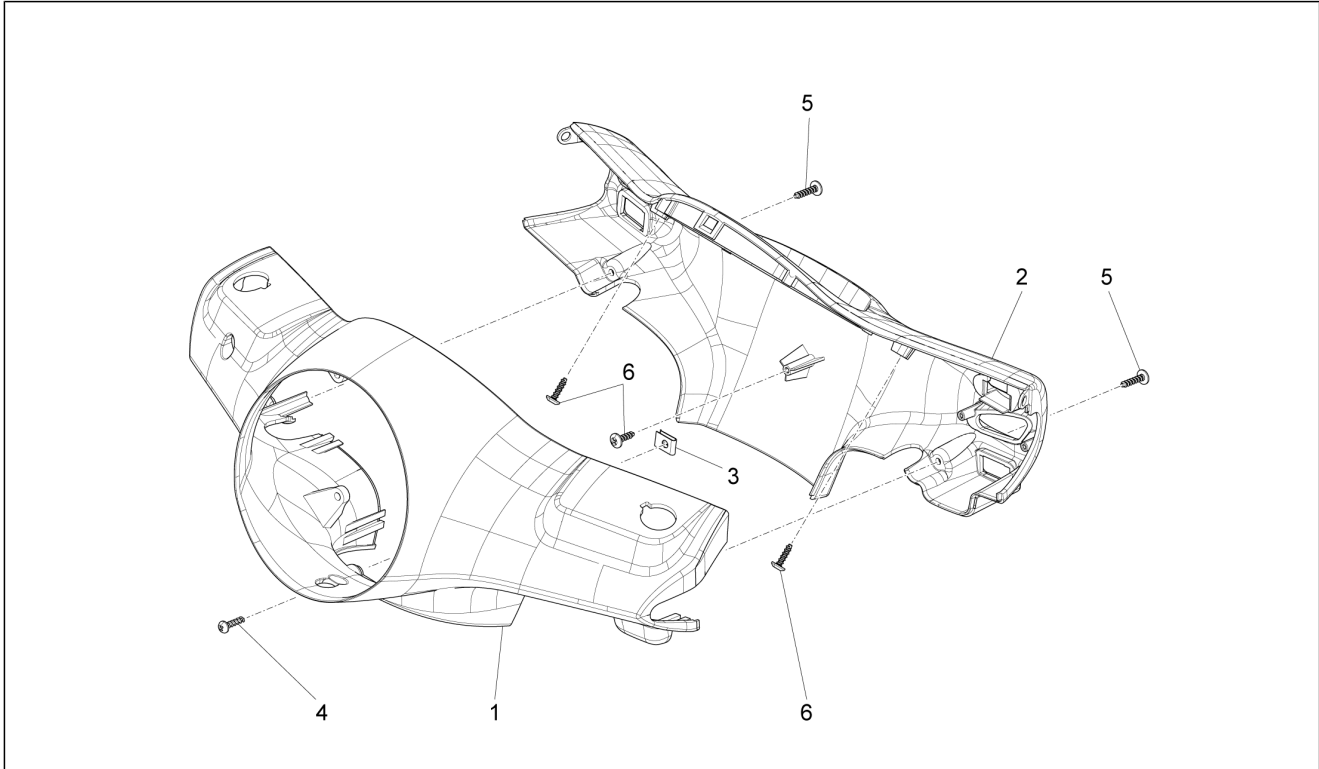
Pos.	Code	Description	Qty	Variants
1	S1672697	Fuel tank	1	
2	656022	Plug	1	
3	656021	Tank cover gasket	1	
4	643298	Indicator fuel level	1	
5	676200	Gasket	1	
6	B016426	Screw w/ flange M6x14	4	
7	016406	Spring washer 6,4x11,8x1	4	
8	674594	Depression tap	1	
9	879888	Fastening clamp	1	
10	CM259204	Spring plate	3	
11	016406	Spring washer 6,4x11,8x1	3	
12	013880	Flat washer 16x6,5x1,5	1	
13	018639	Hex screw M6x20	3	
14	CM001901	Hose clamp	3	
15	CM001209	pipe	1	
16	CM283502	Fuel tube	1	
17	CM178304	pipe	1	
18	CM013202	Pipes/cables retainer spring	1	
19	CM006908	Non return spring L=23	1	

Group	Handlebars/Steering
Code	03.01
Description	Handlebars coverages
Service	1



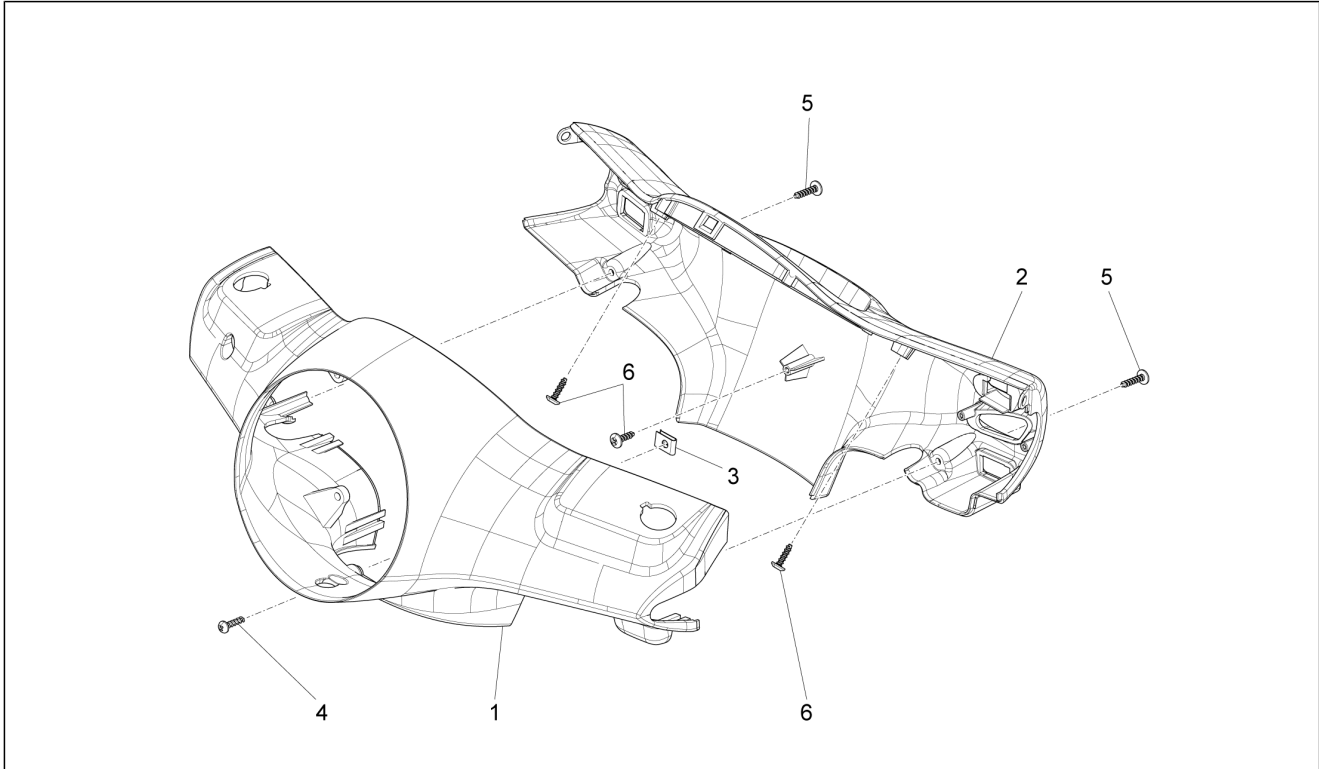
Pos.	Code	Description	Qty	Variants
1	SP1B004449000NL	Painted front handlebar cover	1	Colour:BLACK[85/B] Model version:SXL Version[SXL]
1	SP1B004449000Q4	Painted front handlebar cover	1	Colour:White Tech 505/A[505/A] Model version:SXL Version[SXL]
1	SP1B004449000T5	Painted front handlebar cover	1	Colour:Blue 277/A[277/A] Model version:SXL Version[SXL]
1	1B004449	Front handlebar cover	1	
1	1B002457000HL	Painted front handlebar cover	1	Colour:Grey[700/C] Model version:VXL Version[VXL] Colour:Grey[700/C] Model version:VXL Version[VXL] Colour:Grey[700/C] Model version:VXL Version[VXL] Colour:Grey[700/C] Model version:VXL Version[VXL] Colour:Grey[700/C] Model version:VXL Version[VXL]
1	SP1B002457000D02	Painted front handlebar cover	1	Colour:Azzurro provenza[296/A] Model version:VXL Version[VXL] Colour:Azzurro provenza[296/A] Model version:VXL Version[VXL] Colour:Azzurro provenza[296/A] Model version:VXL Version[VXL] Colour:Azzurro provenza[296/A] Model version:VXL Version[VXL] Colour:Azzurro provenza[296/A] Model version:VXL Version[VXL] Colour:Azzurro provenza[296/A] Model version:VXL Version[VXL]
1	1B002457000Q8	Front handlebar cover	1	Colour:Beige[514/A] Model version:VXL Version[VXL] Colour:Beige[514/A] Model version:VXL Version[VXL] Colour:Beige[514/A] Model version:VXL Version[VXL]

Group	Handlebars/Steering
Code	03.01
Description	Handlebars coverages
Service	1



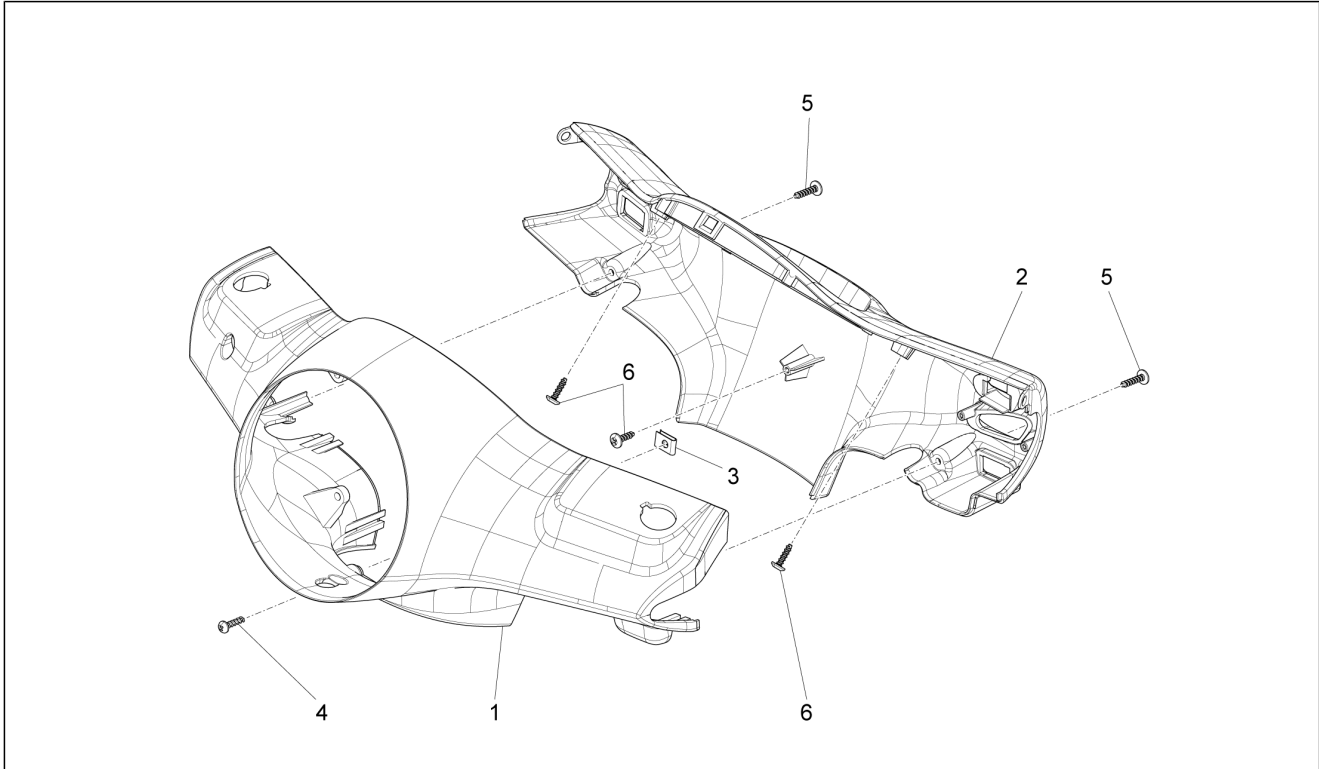
Pos.	Code	Description	Qty	Variants
1	1B004449000AI	Painted front handlebar cover	1	Colour:Orange 938/A[938/A] Model version:SXL Version[SXL]
1	SP1B004449000LC	Painted front handlebar cover	1	Colour:Giallo 980/A[980/A] Model version:SXL Version[SXL]
1	1B002457	Front handlebar unfinished cover	1	
1	SP1B002457000Q4	Painted front handlebar cover	1	Colour:White Tech 505/A[505/A] Model version:VXL Version[VXL] Colour:White Tech 505/A[505/A] Model version:VXL Version[VXL] Colour:White Tech 505/A[505/A] Model version:VXL Version[VXL] Colour:White Tech 505/A[505/A] Model version:VXL Version[VXL] Colour:White Tech 505/A[505/A] Model version:SXL Version[SXL] Colour:White Tech 505/A[505/A] Model version:VXL Version[VXL] Colour:White Tech 505/A[505/A] Model version:VXL Version[VXL]
1	SP1B002457000T5	Painted front handlebar cover	1	Colour:Blue 277/A[277/A] Model version:VXL Version[VXL] Colour:Blue 277/A[277/A] Model version:SXL Version[SXL]
1	1B002457000NL	Painted front handlebar cover	1	Colour:BLACK[85/B] Model version:VX Version[VX] Colour:BLACK[85/B] Model version:VXL Version[VXL] Colour:BLACK[85/B] Model version:VXL Version[VXL] Colour:BLACK[85/B] Model version:VXL Version[VXL] Colour:BLACK[85/B] Model version:VX Version[VX] Colour:BLACK[85/B] Model version:VX Version[VX] Colour:BLACK[85/B]

Group	Handlebars/Steering
Code	03.01
Description	Handlebars coverages
Service	1



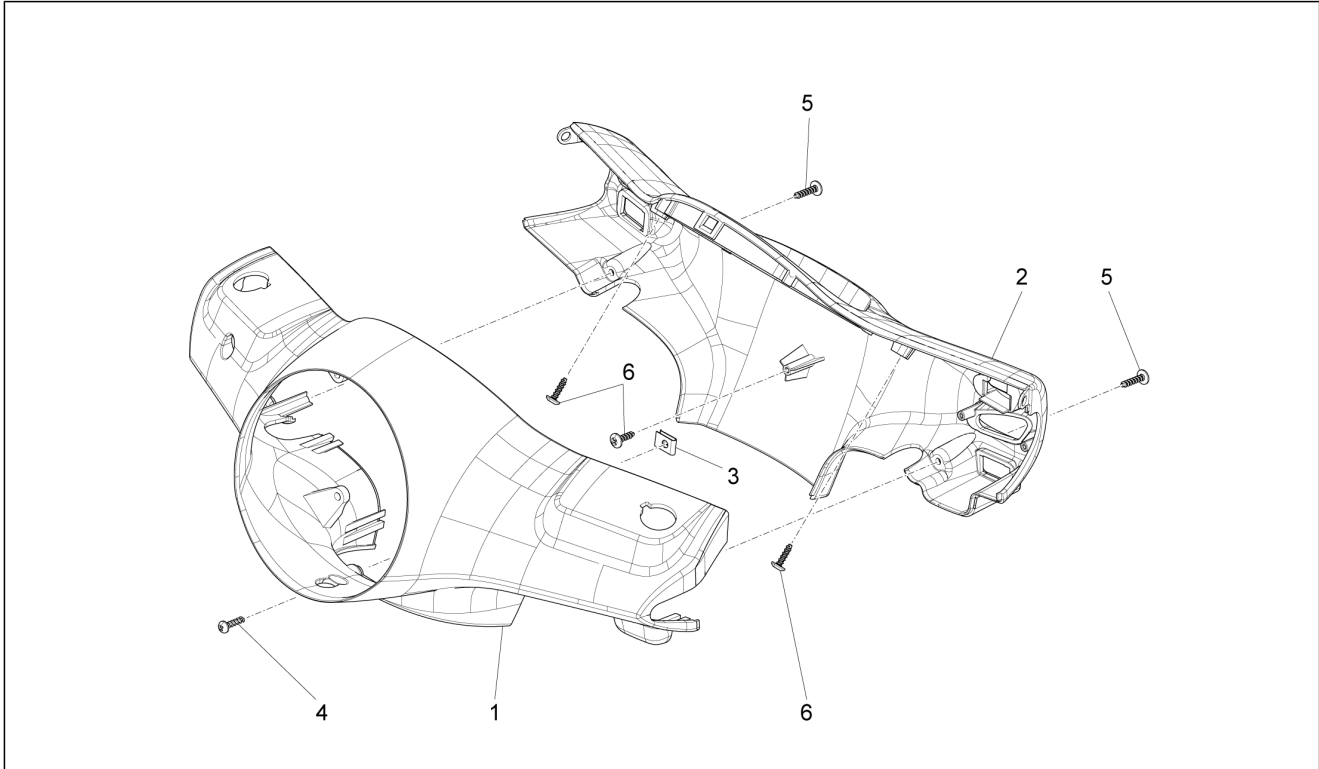
Pos.	Code	Description	Qty	Variants
				Model version: SXL Version[SXL] Colour: BLACK[85/B] Model version: VXL Version[VXL] Colour: BLACK[85/B] Model version: VXL Version[VXL]
1	1B002457000GP	Front handlebar cover	1	Colour: Yellow lime[928/A] Model version: VX Version[VX] Colour: Yellow lime[928/A] Model version: VX Version[VX] Colour: Yellow lime[928/A] Model version: VX Version[VX] Colour: Yellow lime[928/A] Model version: VXL Version[VXL] Colour: Yellow lime[928/A] Model version: VXL Version[VXL] Colour: Yellow lime[928/A] Model version: VXL Version[VXL] Colour: Yellow lime[928/A] Model version: VXL Version[VXL] Colour: Yellow lime[928/A] Model version: VXL Version[VXL]
1	S00245700R7	Front handlebar cover	1	Colour: DRAGON RED[894] Model version: VX Version[VX] Colour: DRAGON RED[894] Model version: VX Version[VX] Colour: DRAGON RED[894] Model version: VX Version[VX] Colour: DRAGON RED[894] Model version: VXL Version[VXL] Colour: DRAGON RED[894] Model version: VXL Version[VXL] Colour: DRAGON RED[894] Model version: VXL Version[VXL] Colour: DRAGON RED[894] Model version: VXL Version[VXL] Colour: DRAGON RED[894] Model version: VXL Version[VXL]

Group	Handlebars/Steering
Code	03.01
Description	Handlebars coverages
Service	1



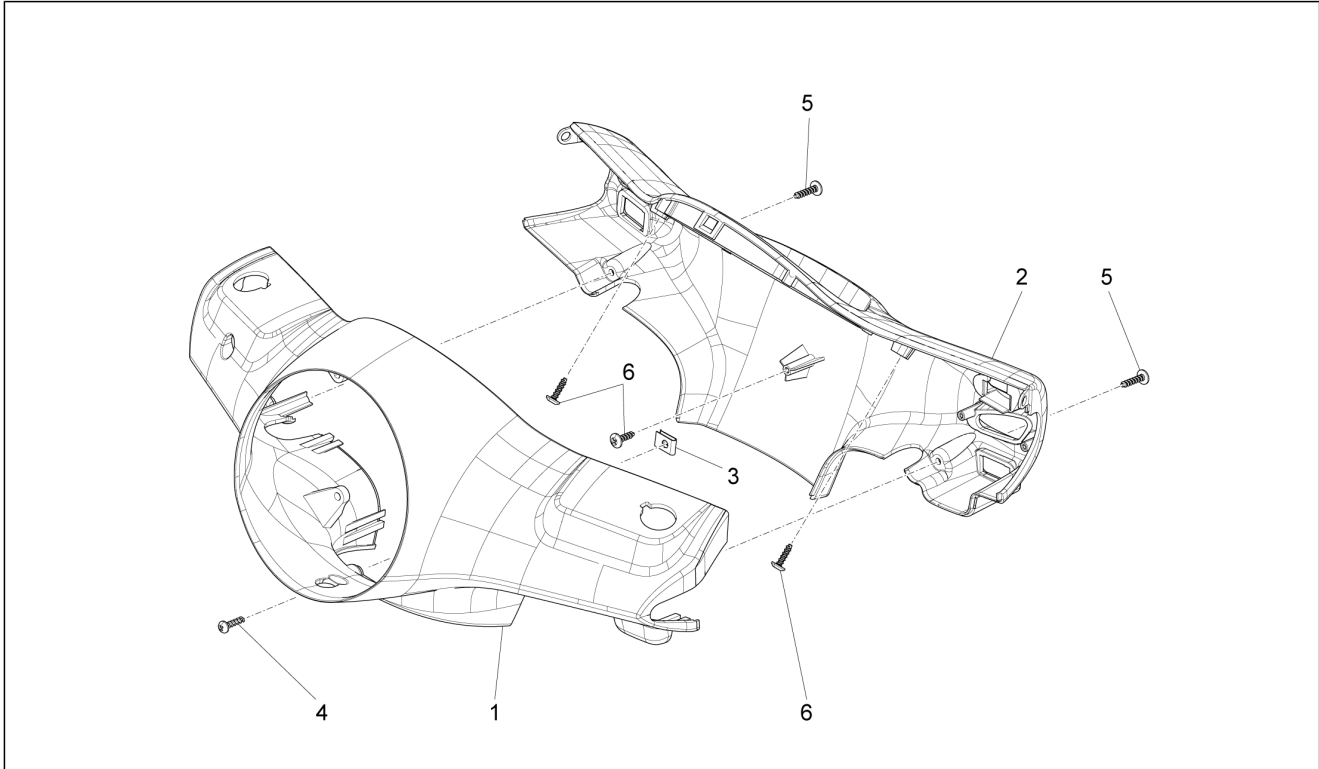
Pos.	Code	Description	Qty	Variants
1	1B002457000BR	Front handlebar cover	1	Colour: White[544] Model version: VX Version[VX] Colour: White[544] Model version: VX Version[VX] Colour: White[544] Model version: VX Version[VX]
2	1B004804000GP	Handlebar rear cover	1	Colour: Yellow lime[928/A] Model version: VX Version[VX] Colour: Yellow lime[928/A] Model version: VX Version[VX] Colour: Yellow lime[928/A] Model version: VX Version[VX] Colour: Yellow lime[928/A] Model version: VXL Version[VXL] Colour: Yellow lime[928/A] Model version: VXL Version[VXL] Colour: Yellow lime[928/A] Model version: VXL Version[VXL] Colour: Yellow lime[928/A] Model version: VXL Version[VXL] Colour: Yellow lime[928/A] Model version: VXL Version[VXL]
2	SP1B004804000R7	Handlebar rear cover	1	Colour: DRAGON RED[894] Model version: VX Version[VX] Colour: DRAGON RED[894] Model version: VX Version[VX] Colour: DRAGON RED[894] Model version: VX Version[VX] Colour: DRAGON RED[894] Model version: VXL Version[VXL] Colour: DRAGON RED[894] Model version: VXL Version[VXL] Colour: DRAGON RED[894] Model version: VXL Version[VXL] Colour: DRAGON RED[894] Model version: VXL Version[VXL] Colour: DRAGON RED[894] Model version: VXL Version[VXL]

Group	Handlebars/Steering
Code	03.01
Description	Handlebars coverages
Service	1



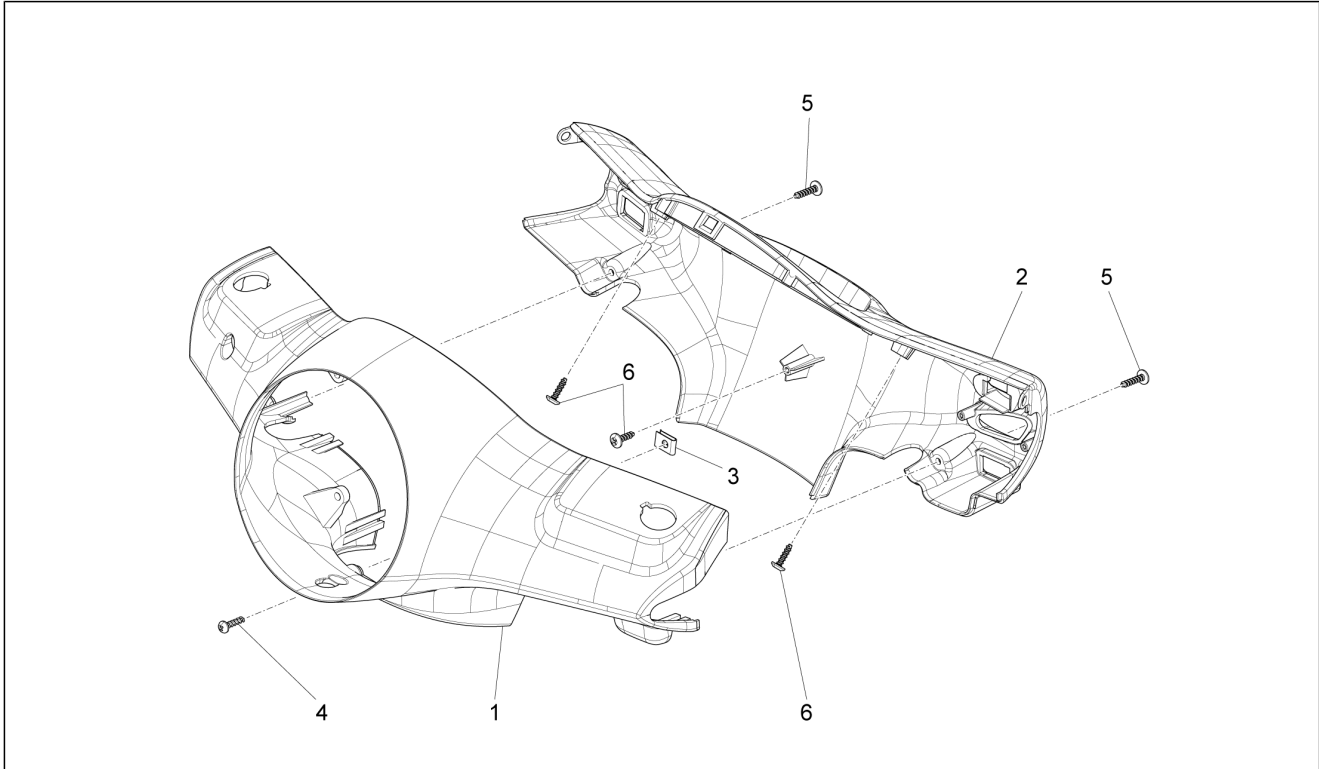
Pos.	Code	Description	Qty	Variants
				Model version: VXL Version[VXL]
2	SP1B004804000BR	Rear handlebars cover	1	Colour: White[544] Model version: VX Version[VX] Colour: White[544] Model version: VX Version[VX] Colour: White[544] Model version: VX Version[VX]
2	1B004805	Handlebar rear cover	1	
2	SP1B004805000AI	Painted handlebar rear cover	1	Colour: Orange 938/A[938/A] Model version: SXL Version[SXL]
2	SP1B004805000Q4	Painted handlebar rear cover	1	Colour: White Tech 505/A[505/A] Model version: SXL Version[SXL]
2	SP1B004805000NL	Painted handlebar rear cover	1	Colour: BLACK[85/B] Model version: SXL Version[SXL]
2	1B004804	Handlebar rear cover	1	
2	SP1B004805000T5	Painted handlebar rear cover	1	Colour: Blue 277/A[277/A] Model version: SXL Version[SXL]
2	SP1B004805000LC	Painted handlebar rear cover	1	Colour: Giallo 980/A[980/A] Model version: SXL Version[SXL]
2	SP1B004804000Q4	Handlebar rear cover	1	Colour: White Tech 505/A[505/A] Model version: VXL Version[VXL] Colour: White Tech 505/A[505/A] Model version: VXL Version[VXL] Colour: White Tech 505/A[505/A] Model version: VXL Version[VXL] Colour: White Tech 505/A[505/A] Model version: VXL Version[VXL] Colour: White Tech 505/A[505/A] Model version: VXL Version[VXL] Colour: White Tech 505/A[505/A] Model version: VXL Version[VXL] Colour: White Tech 505/A[505/A] Model version: VXL Version[VXL]
2	SP1B004804000T5	Handlebar rear cover	1	Colour: Blue 277/A[277/A] Model version: VXL Version[VXL]
2	SP1B004804000HL	Handlebar rear cover	1	Colour: BLACK[85/B]

Group	Handlebars/Steering
Code	03.01
Description	Handlebars coverages
Service	1



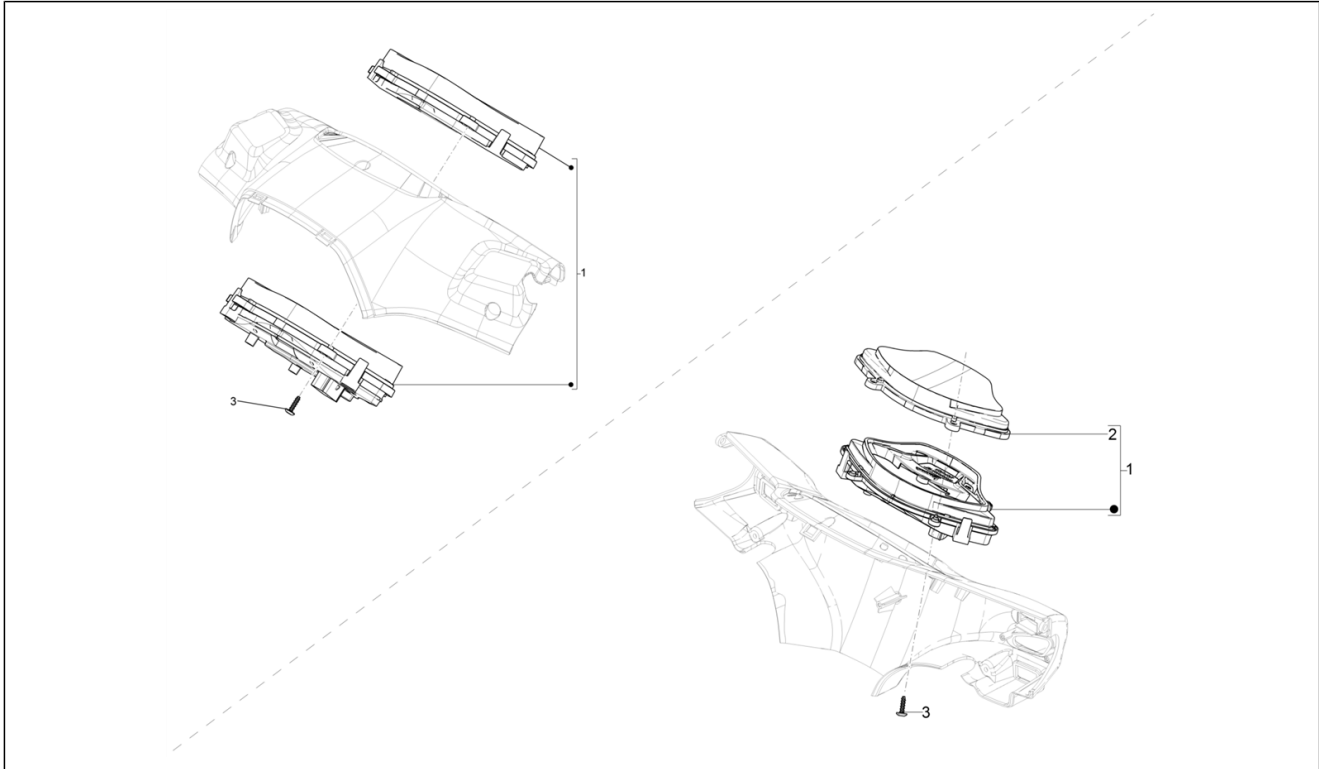
Pos.	Code	Description	Qty	Variants
				Model version: VXL Version[VXL] Colour: BLACK[85/B] Model version: VXL Version[VXL] Colour: BLACK[85/B] Model version: VXL Version[VXL] Colour: BLACK[85/B] Model version: VXL Version[VXL] Colour: Grey[700/C] Model version: VXL Version[VXL]
2	SP1B004804000D02	Handlebar rear cover	1	Colour: Azzurro provenza[296/A] Model version: VXL Version[VXL] Colour: Azzurro provenza[296/A] Model version: VXL Version[VXL] Colour: Azzurro provenza[296/A] Model version: VXL Version[VXL] Colour: Azzurro provenza[296/A] Model version: VXL Version[VXL] Colour: Azzurro provenza[296/A] Model version: VXL Version[VXL] Colour: Azzurro provenza[296/A] Model version: VXL Version[VXL]
2	1B004804000Q8	Handlebar rear cover	1	Colour: Beige[514/A] Model version: VXL Version[VXL] Colour: Beige[514/A] Model version: VXL Version[VXL] Colour: Beige[514/A] Model version: VXL Version[VXL]
2	SP1B004804000NL	Handlebar rear cover	1	Colour: BLACK[85/B] Model version: VX Version[VX] Colour: BLACK[85/B] Model version: VXL Version[VXL] Colour: BLACK[85/B] Model version: VXL Version[VXL] Colour: BLACK[85/B] Model version: VXL Version[VXL] Colour: BLACK[85/B] Model version: VX Version[VX]

Group	Handlebars/Steering
Code	03.01
Description	Handlebars coverages
Service	1



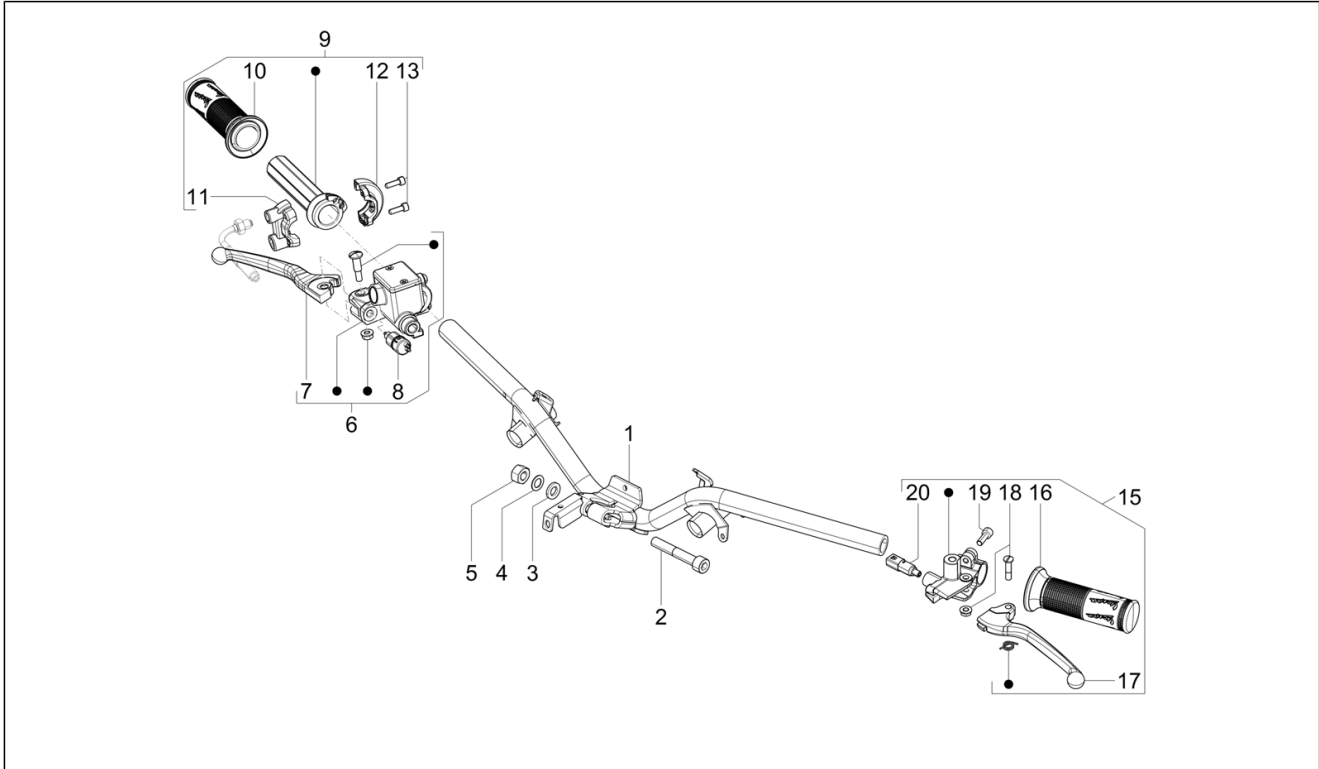
Pos.	Code	Description	Qty	Variants
				Colour:BLACK[85/B] Model version:VX Version[VX] Colour:BLACK[85/B] Model version:VXL Version[VXL] Colour:BLACK[85/B] Model version:VXL Version[VXL]
3	CM017409	Spring plate	1	
4	008457	Self-tap screw M4,2x19	1	
5	258146	Self-tap screw M3x20	2	
6	270793	TBCIC Screw	3	

Group	Handlebars/Steering
Code	03.02
Description	Meter combination - Cruscotto
Service	1



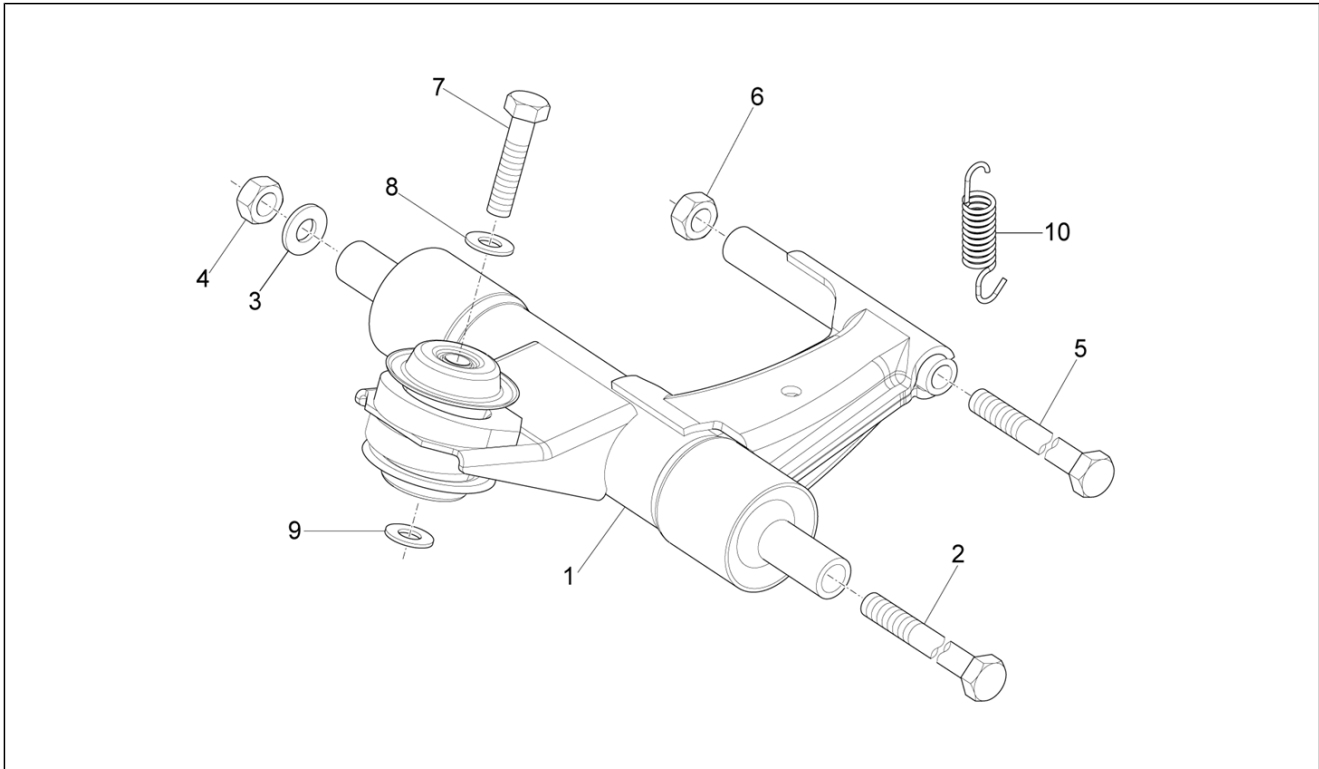
Pos.	Code	Description	Qty	Variants
1	1D001180	Meter assy, combination	1	Model version: VX Version[VX]
1	1D002379	Meter assy, combination	1	Model version: SXL Version[SXL]
1	1D002378	Meter assy, combination	1	Model version: VXL Version[VXL]
2	1D002395	Glass	1	Model version: VXL Version[VXL] SXL Version[SXL]
3	270793	TBCIC Screw	4	

Group	Handlebars/Steering
Code	03.06
Description	Handlebars - Master cil.
Service	1



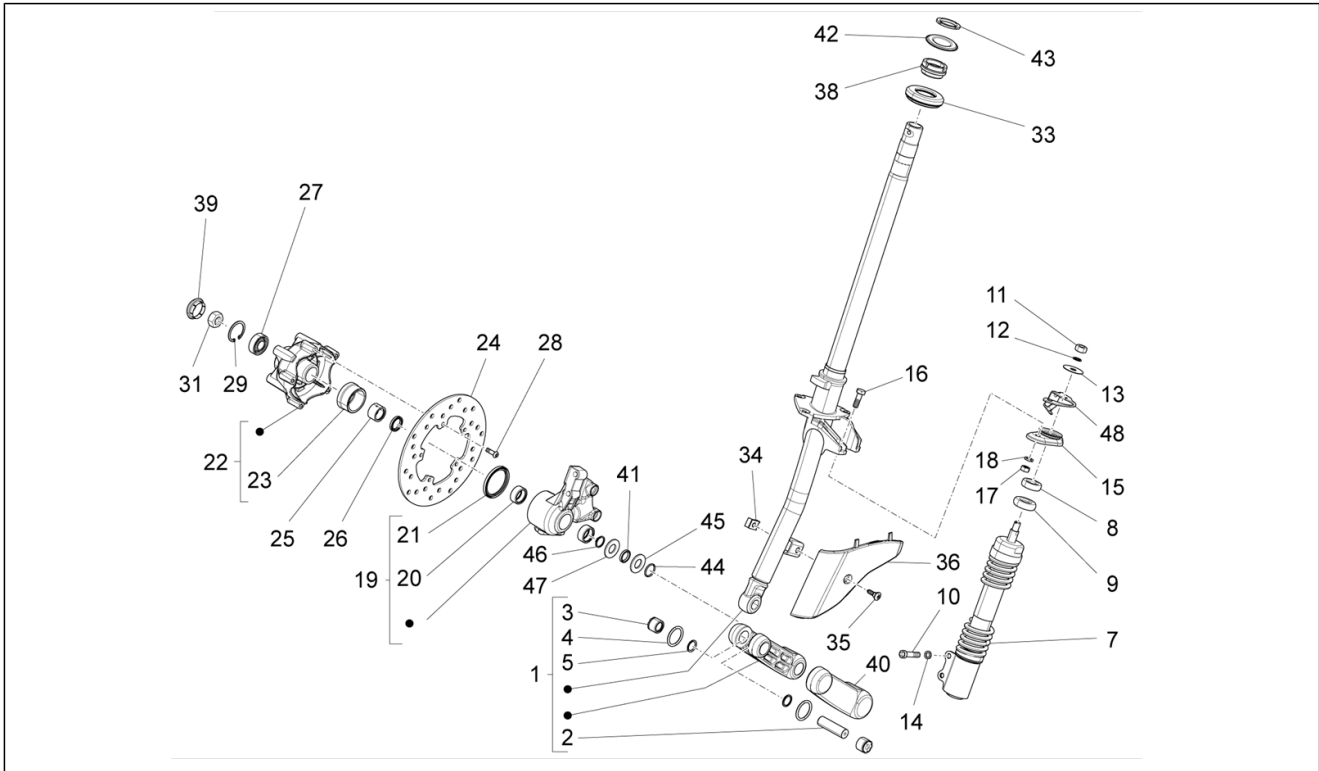
Pos.	Code	Description	Qty	Variants
1	SP1B005897	Handlebar with U.P.	1	
1	1B002224	Handlebar with U.P.	1	
2	655554	Hex socket screw	1	
3	267917	Flat washer 18x10,2x2,5	1	
4	012543	Flat elastic washer with internal tothing 17x10,3x2	1	
5	015330	Nut M10	1	
6	1C000093	Front brake hydraulic pump	1	
7	1C000075	Brake lever (Brembo)	1	
9	CM090402	Throttle control sleeve assembly	1	
10	CM083804	Grip, r.h.	1	
11	598369	Lower clamp	1	
12	666758	Upper U-bolt	1	
13	975805	screw	2	
15	CM263302	Sleeve with rear brake lever	1	
16	CM083803	Grip, l.h.	1	
17	1C000896	LH brake lever	1	
18	265249	Screw with nut	1	
19	873433	Hex socket screw	1	
20	640762	Button	1	

Group	Suspensions - Wheels
Code	04.01
Description	Swinging arm
Service	1



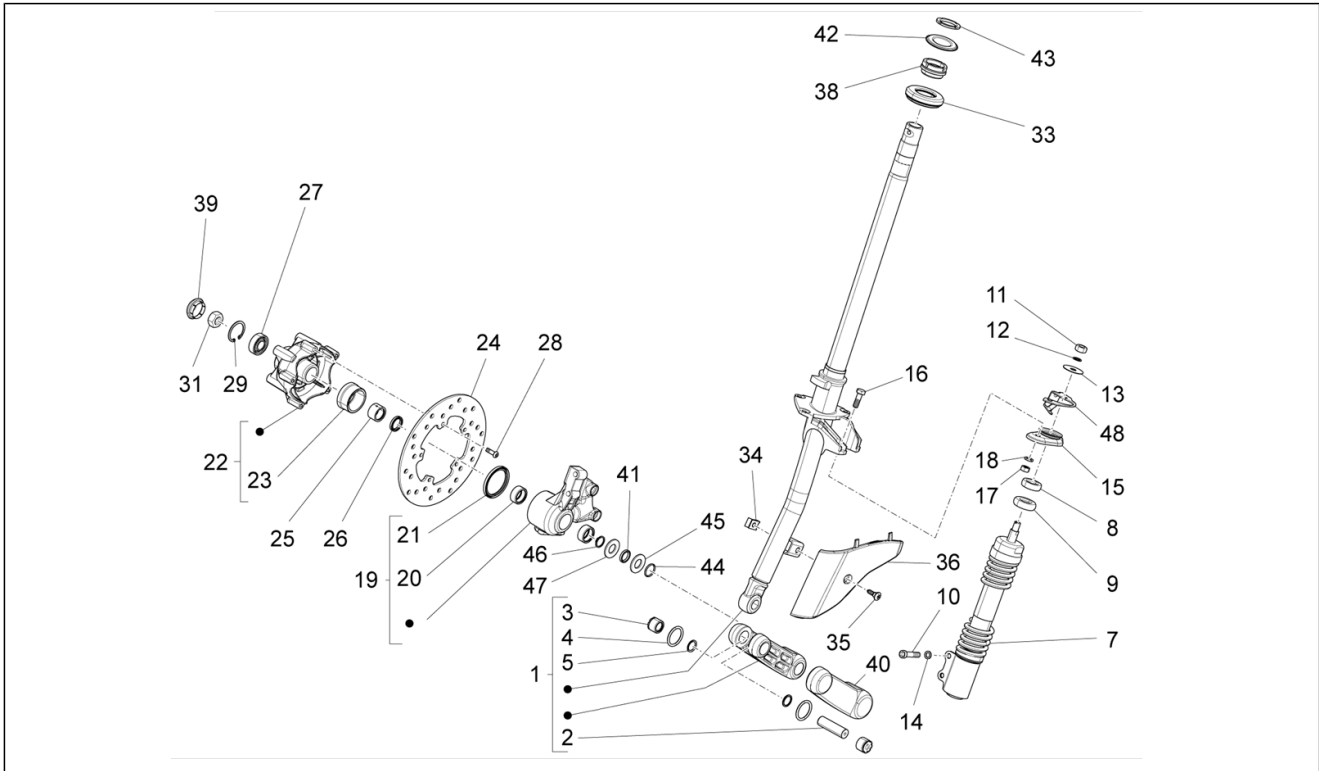
Pos.	Code	Description	Qty	Variants
1	666803	Complete swinging arm	1	
2	668300	Hex screw M12X1,75	1	
3	709037	Flat washer 20x12,5x2	1	
4	261319	Nut m12x1,25 h=12,5	1	
5	668302	Hex screw	1	
6	002440	Self locking nut M10	2	
7	560045	Hex socket screw M10x80	1	
8	122781	Washer	1	
9	178790	Flat washer	1	
10	666847	Spring	1	

Group	Suspensions - Wheels
Code	04.02
Description	Fork/steering tube - Steering bearing unit
Service	1



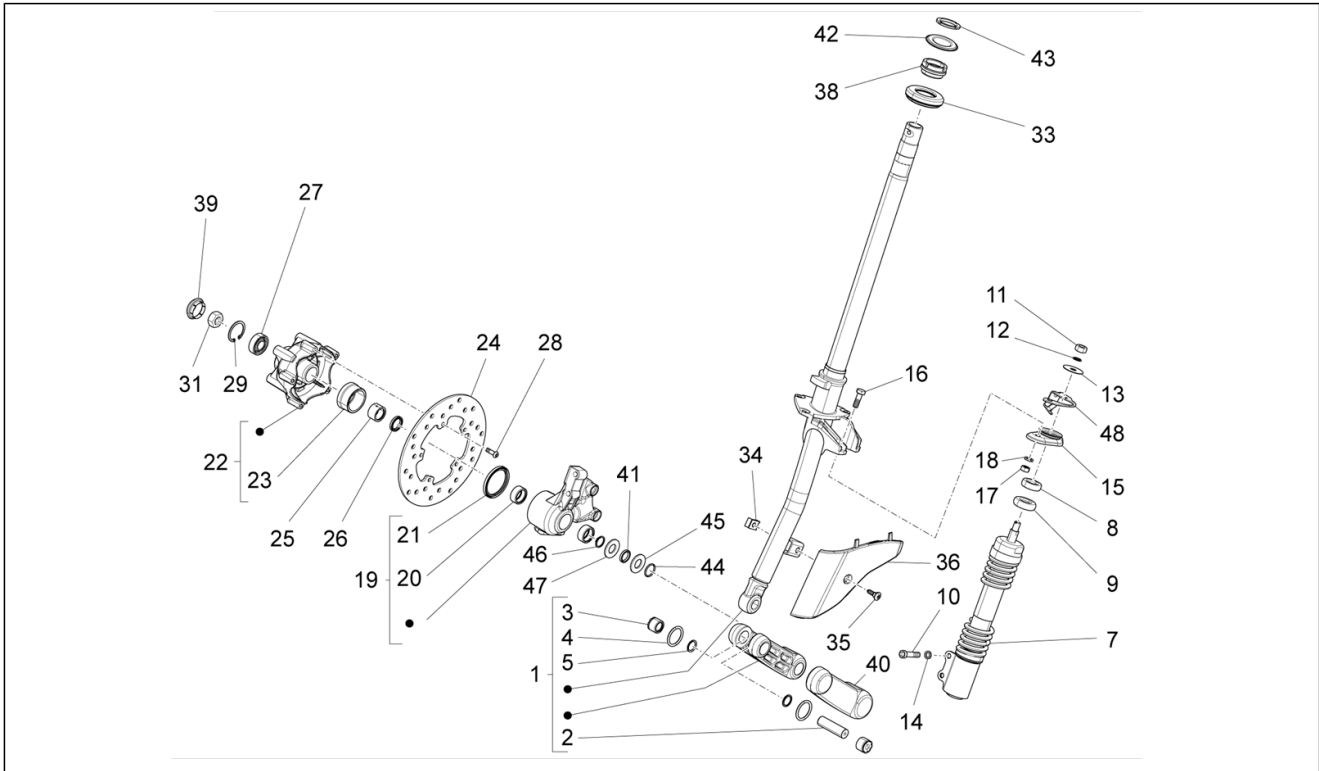
Pos.	Code	Description	Qty	Variants
1	SP1C00166040	Steering tube complete with arm	1	
2	177451	Piston pin	1	
3	198513	Roller cage	2	
4	006731	Gasket	2	
5	119219	Gasket ring	2	
7	1C003015	Shock absorber assembly	1	
8	174085	Pad	1	
9	174874	Pad	1	
10	149104	Hex socket screw M8x40	2	
11	021210	Nut	1	
12	174088	Washer	1	
13	012535	Washer	1	
14	709047	Spring washer	2	
15	601556	Shock absorber connection bracket	1	
16	031120	screw	2	
17	020108	Nut M8x6,5	2	
18	016408	Spring washer 13,75x8,15x4,5	2	
19	1C002142	Pin and shock absorber support	1	
20	177436	Drawn cap	2	
21	177494	Ring	1	
22	1C000383	Front wheel hub	1	
24	1C000907	Brake disc	1	
25	177442	Roller cage	1	
26	177443	Gasket ring	1	
27	177610	Bearing	1	
28	1C002051	Hex screw M6x22	5	
29	006635	Snap ring	1	
31	668001	Self-locking nut	1	

Group	Suspensions - Wheels
Code	04.02
Description	Fork/steering tube - Steering bearing unit
Service	1



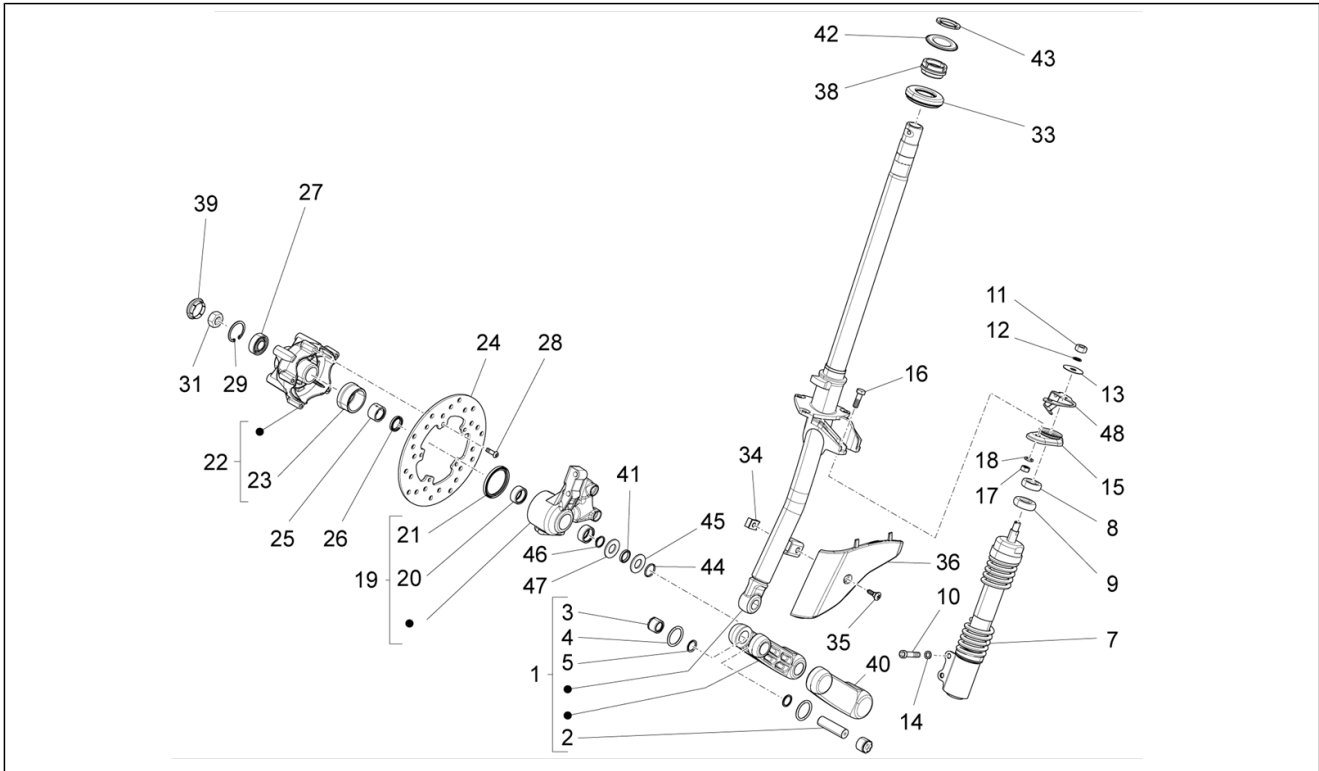
Pos.	Code	Description	Qty	Variants
33	650075	Lower steering bearing	1	
34	CM259202	Spring plate	1	
35	575249	Metric screw TBC	1	
36	SP1B002515000HL	Front suspension cover	1	Colour:Grey[700/C] Model version:VXL Version[VXL] Colour:Grey[700/C] Model version:VXL Version[VXL] Colour:Grey[700/C] Model version:VXL Version[VXL]
36	SP1B002515000NL	Front suspension cover	1	Colour:BLACK[85/B] Model version:VX Version[VX] Colour:BLACK[85/B] Model version:VXL Version[VXL] Colour:BLACK[85/B] Model version:VXL Version[VXL] Colour:BLACK[85/B] Model version:VXL Version[VXL] Colour:BLACK[85/B] Model version:VX Version[VX] Colour:BLACK[85/B] Model version:VX Version[VX]
36	SP1B002515000Q4	Front suspension cover	1	Colour:White Tech 505/A[505/A] Model version:VXL Version[VXL] Colour:White Tech 505/A[505/A] Model version:VXL Version[VXL] Colour:White Tech 505/A[505/A] Model version:VXL Version[VXL]
36	SP1B002515000GP	Front suspension cover	1	Colour:Yellow lime[928/A] Model version:VX Version[VX] Colour:Yellow lime[928/A] Model version:VX Version[VX] Colour:Yellow lime[928/A] Model version:VX Version[VX] Colour:Yellow lime[928/A] Model version:VXL Version[VXL] Colour:Yellow lime[928/A] Model version:VXL Version[VXL]

Group	Suspensions - Wheels
Code	04.02
Description	Fork/steering tube - Steering bearing unit
Service	1



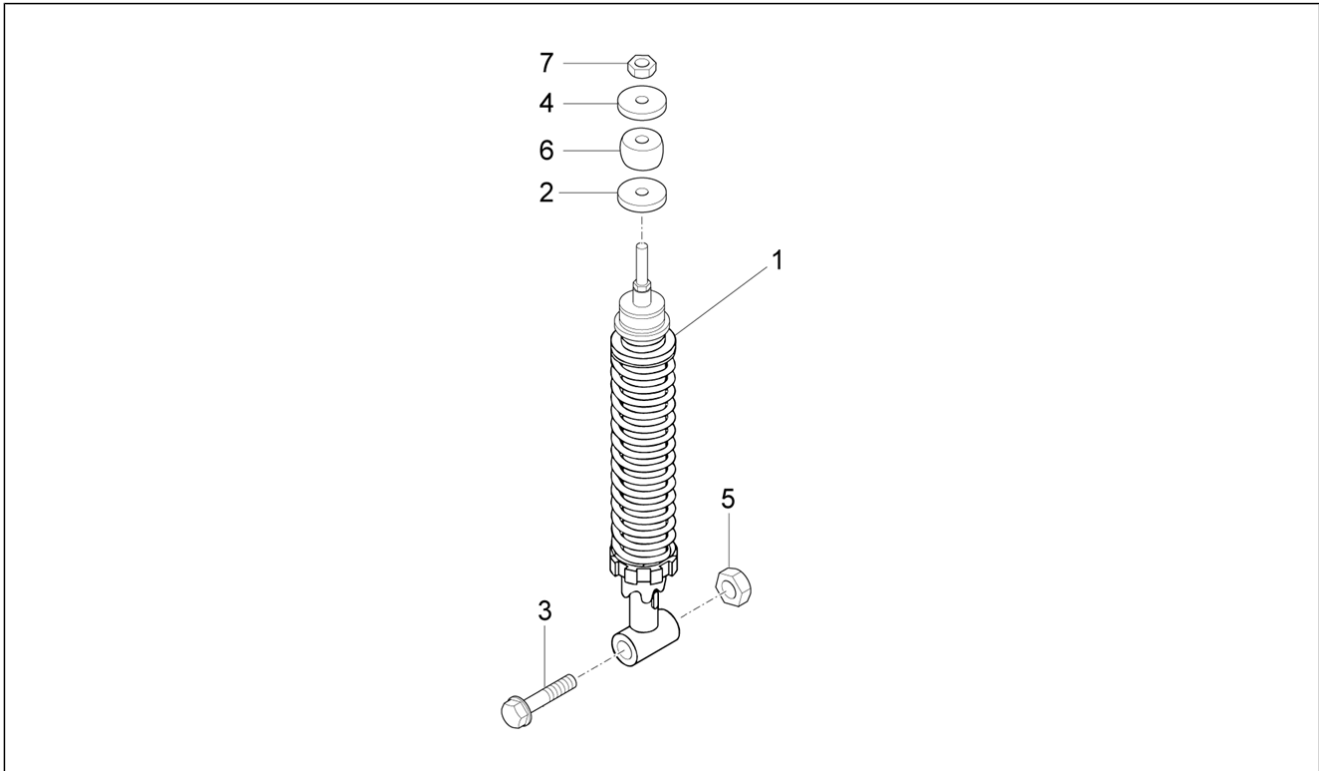
Pos.	Code	Description	Qty	Variants
				Model version: VXL Version[VXL] Colour: Yellow lime[928/A] Model version: VXL Version[VXL]
36	SP1B002515000BR	Front suspension cover	1	Colour: White[544] Model version: VX Version[VX] Colour: White[544] Model version: VX Version[VX] Colour: White[544] Model version: VX Version[VX]
36	SB002515000Q8	Front suspension cover	1	Colour: Beige[514/A] Model version: VXL Version[VXL] Colour: Beige[514/A] Model version: VXL Version[VXL]
36	S66730600R7	Front suspension cover	1	Colour: DRAGON RED[894] Model version: VX Version[VX] Colour: DRAGON RED[894] Model version: VX Version[VX] Colour: DRAGON RED[894] Model version: VX Version[VX] Colour: DRAGON RED[894] Model version: VXL Version[VXL] Colour: DRAGON RED[894] Model version: VXL Version[VXL] Colour: DRAGON RED[894] Model version: VXL Version[VXL]
36	1B002632	Front suspension cover	1	Colour: BLACK[85/B] Model version: SXL Version[SXL] Colour: White Tech 505/A[505/A] Model version: SXL Version[SXL] Colour: Blue 277/A[277/A] Model version: SXL Version[SXL] Colour: Orange 938/A[938/A] Model version: SXL Version[SXL] Colour: Giallo 980/A[980/A] Model version: SXL Version[SXL]
36	SP1B002515000T5	Front suspension cover	1	Colour: Blue 277/A[277/A]

Group	Suspensions - Wheels
Code	04.02
Description	Fork/steering tube - Steering bearing unit
Service	1



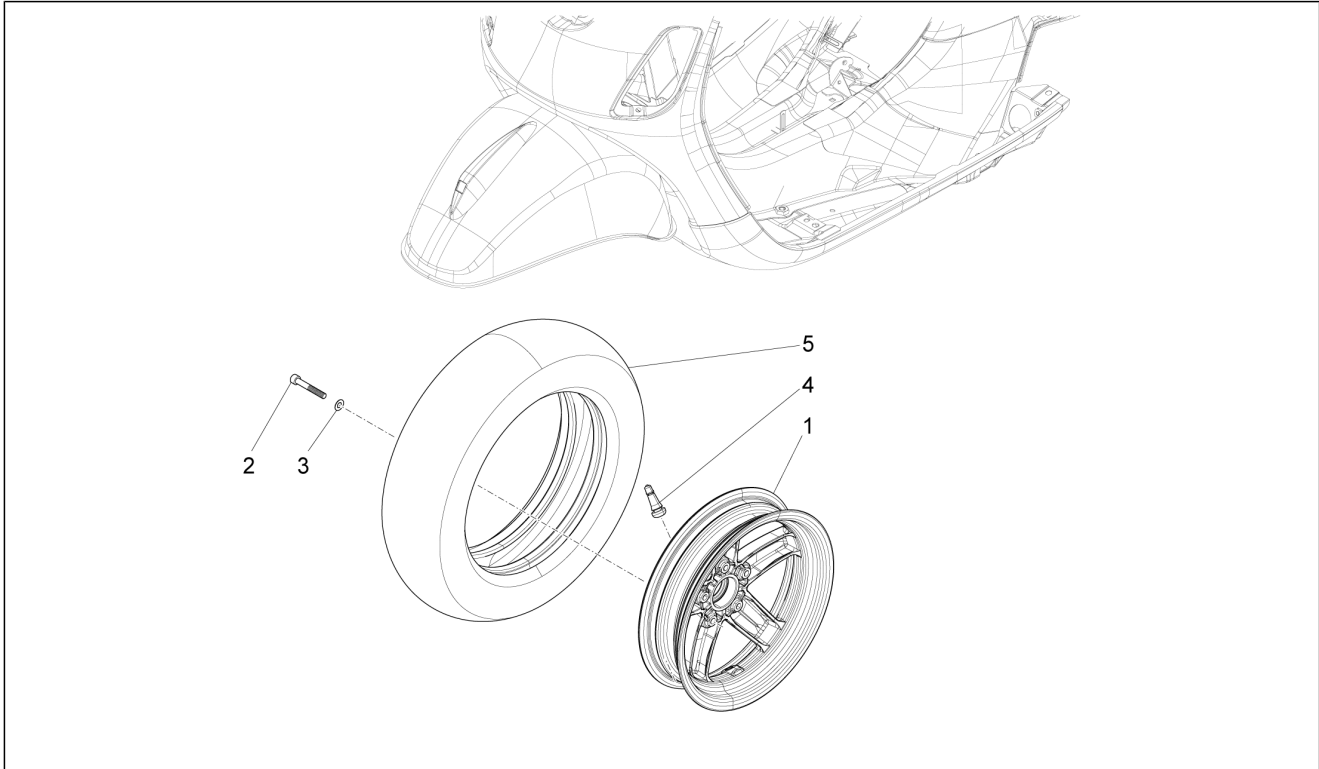
Pos.	Code	Description	Qty	Variants
				Model version: VXL Version[VXL]
36	1B002515	Front suspension cover	1	
36	SP1B002515000D02	Front suspension cover	1	Colour: Azzurro provenza[296/A] Model version: VXL Version[VXL] Colour: Azzurro provenza[296/A] Model version: VXL Version[VXL] Colour: Azzurro provenza[296/A] Model version: VXL Version[VXL] Colour: Azzurro provenza[296/A] Model version: VXL Version[VXL]
38	650693	Upper thrust ring	1	
39	1C000523	Cover	1	
40	561433	Front suspension arm cover	1	
41	177521	Ring	1	
42	0037514	Washer of the steering	1	
43	0111094	Steering tube ring nut	1	
44	177408	O-ring	1	
45	177445	Washer	1	
46	006422	Circlip	1	
47	177414	Washer	1	
48	665701	Brake pipe support bracket	1	

Group	Suspensions - Wheels
Code	04.10
Description	Rear suspension - Shock absorber/s
Service	1



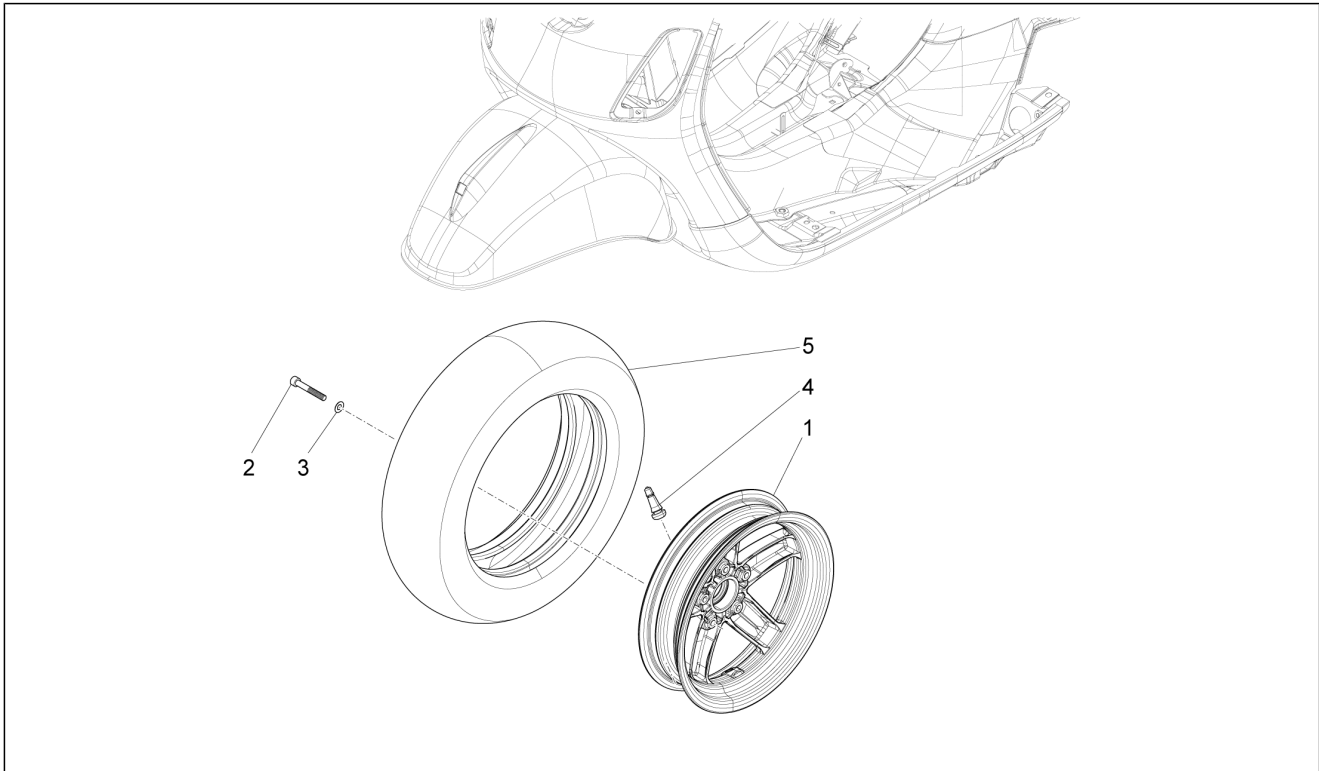
Pos.	Code	Description	Qty	Variants
1	1C002854R	Complete rear shock absorber	1	
1	1C002856R	Complete rear shock absorber	1	Colour: BLACK[85/B] Model version: SXL Version[SXL] Colour: White Tech 505/A[505/A] Model version: SXL Version[SXL] Colour: Blue 277/A[277/A] Model version: SXL Version[SXL] Colour: Orange 938/A[938/A] Model version: SXL Version[SXL] Colour: Giallo 980/A[980/A] Model version: SXL Version[SXL]
2	016408	Spring washer 13,75x8,15x4,5	1	
3	268158	Screw w/ flange M10	1	
4	267038	Flat washer	1	
5	002440	Self locking nut M10	1	
6	178150	Upper buffer	1	
7	021108	Nut M8	1	

Group	Suspensions - Wheels
Code	04.11
Description	Front wheel
Service	1



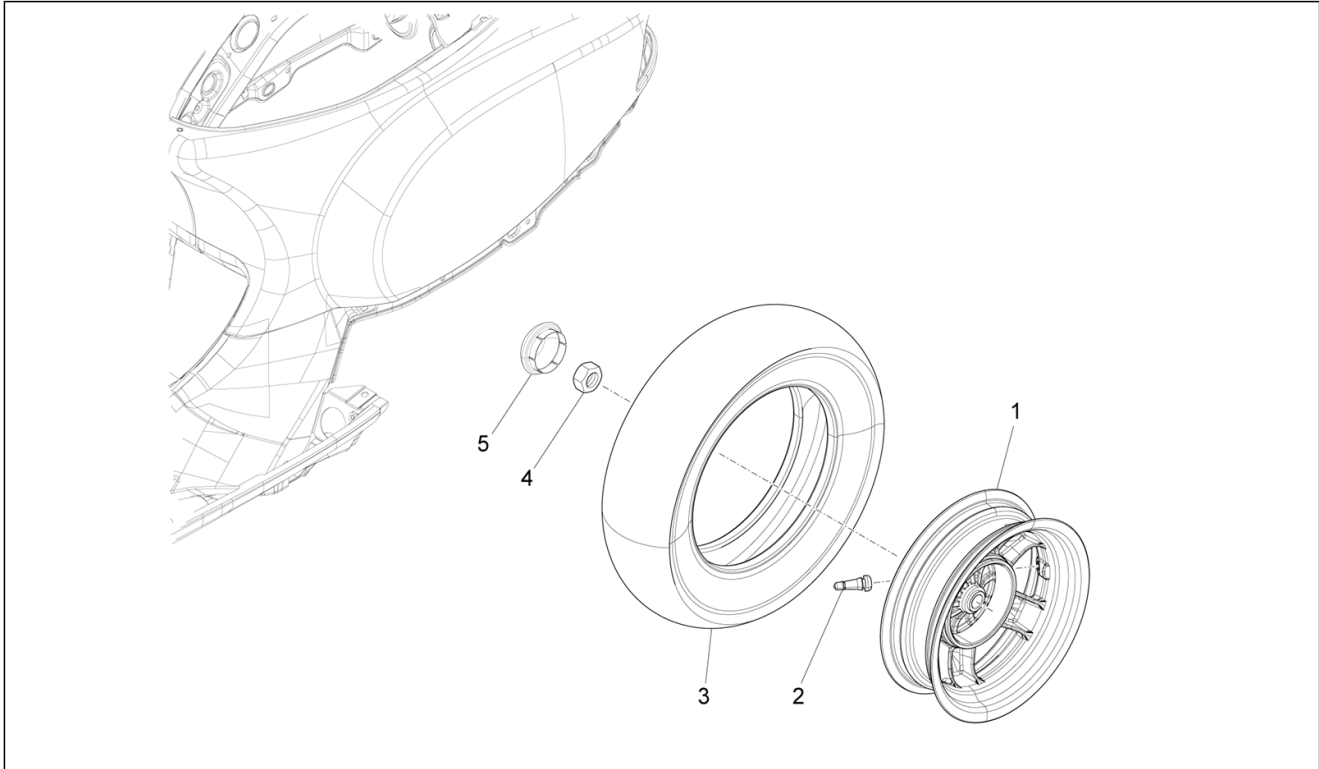
Pos.	Code	Description	Qty	Variants
1	1C002463	Front wheel 2,5x11"	1	Colour: Grey[700/C] Model version: VXL Version[VXL] Colour: Yellow lime[928/A] Model version: VXL Version[VXL] Colour: Azzurro provenza[296/A] Model version: VXL Version[VXL] Colour: Azzurro provenza[296/A] Model version: VXL Version[VXL] Colour: DRAGON RED[894] Model version: VXL Version[VXL] Colour: Yellow lime[928/A] Model version: VXL Version[VXL] Colour: White Tech 505/A[505/A] Model version: VXL Version[VXL] Colour: Beige[514/A] Model version: VXL Version[VXL] Colour: BLACK[85/B] Model version: VXL Version[VXL] Colour: DRAGON RED[894] Model version: VXL Version[VXL] Colour: BLACK[85/B] Model version: VXL Version[VXL] Colour: White Tech 505/A[505/A] Model version: VXL Version[VXL] Colour: Grey[700/C] Model version: VXL Version[VXL] Colour: White Tech 505/A[505/A] Model version: VXL Version[VXL]
1	1C001471	Complete front wheel 2,50x11"	1	
1	1C003310	Front wheel 2.50"x11"	1	Colour: BLACK[85/B] Model version: SXL Version[SXL] Colour: White Tech 505/A[505/A] Model version: SXL Version[SXL] Colour: Blue 277/A[277/A] Model version: SXL Version[SXL] Colour: Orange 938/A[938/A] Model version: SXL Version[SXL]

Group	Suspensions - Wheels
Code	04.11
Description	Front wheel
Service	1



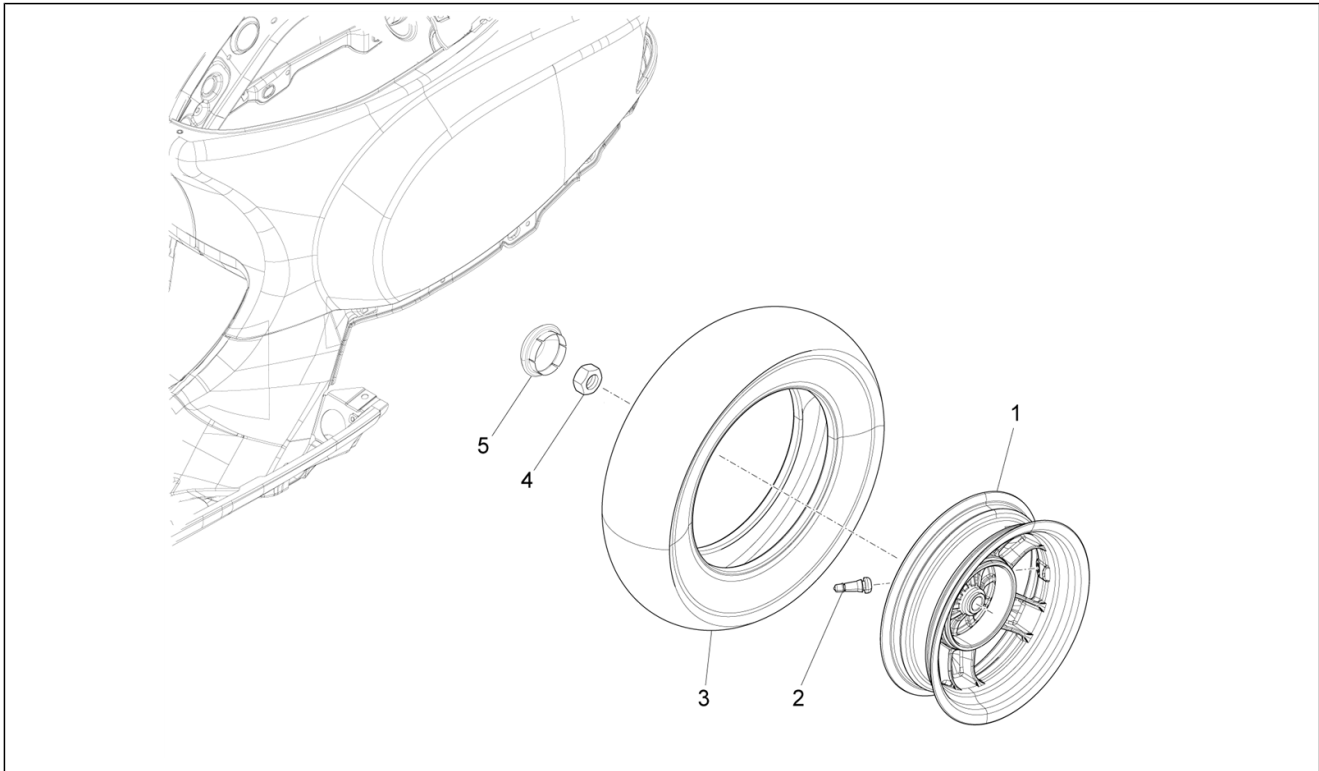
Pos.	Code	Description	Qty	Variants
				Colour:Giallo 980/A[980/A] Model version:SXL Version[SXL]
2	015792	screw M8x30	5	
3	709047	Spring washer	5	
4	597679	Tubeless valve	1	
5	5A000405	110/70-11" Vee Rubber tyre	1	
5	651307	Tyre (Yokohama) 110/70-11"	1	

Group	Suspensions - Wheels
Code	04.12
Description	Rear wheel
Service	1



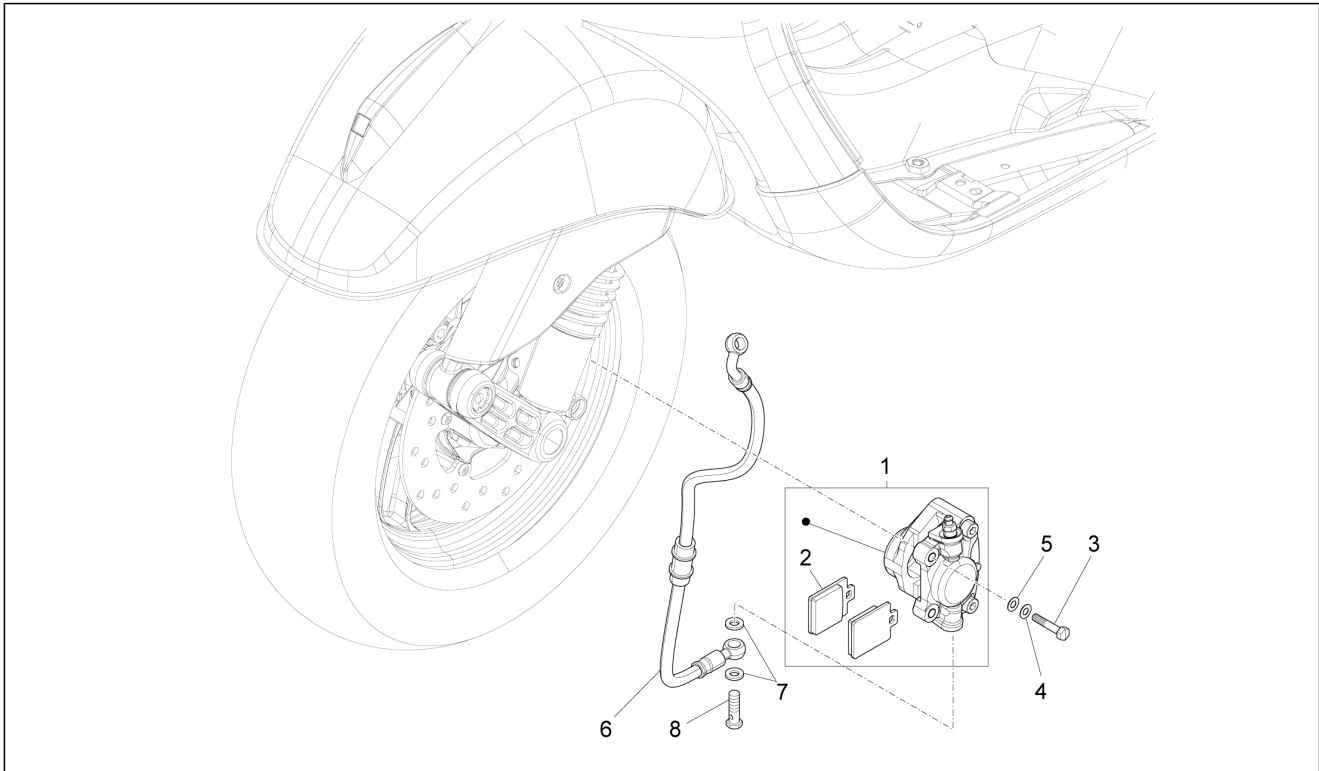
Pos.	Code	Description	Qty	Variants
1	1C004182	Rear wheel 2.75"x10"	1	Colour: Grey[700/C] Model version: VXL Version[VXL] Colour: Yellow lime[928/A] Model version: VXL Version[VXL] Colour: Azzurro provenza[296/A] Model version: VXL Version[VXL] Colour: DRAGON RED[894] Model version: VXL Version[VXL] Colour: Yellow lime[928/A] Model version: VXL Version[VXL] Colour: White Tech 505/A[505/A] Model version: VXL Version[VXL] Colour: BLACK[85/B] Model version: VXL Version[VXL] Colour: DRAGON RED[894] Model version: VXL Version[VXL] Colour: BLACK[85/B] Model version: VXL Version[VXL] Colour: White Tech 505/A[505/A] Model version: VXL Version[VXL] Colour: Grey[700/C] Model version: VXL Version[VXL]
1	1C003312	Rear wheel 2.75"x10"	1	Colour: BLACK[85/B] Model version: SXL Version[SXL] Colour: White Tech 505/A[505/A] Model version: SXL Version[SXL] Colour: Blue 277/A[277/A] Model version: SXL Version[SXL] Colour: Orange 938/A[938/A] Model version: SXL Version[SXL] Colour: Giallo 980/A[980/A] Model version: SXL Version[SXL]
1	1C001513	Rear wheel 2,75x10"	1	
2	597679	Tubeless valve	1	
3	651308	Tyre (Yokohama) 120/70-10"	1	
3	665552	Tyre (Cheng Shin) 120/70-10"	1	

Group	Suspensions - Wheels
Code	04.12
Description	Rear wheel
Service	1



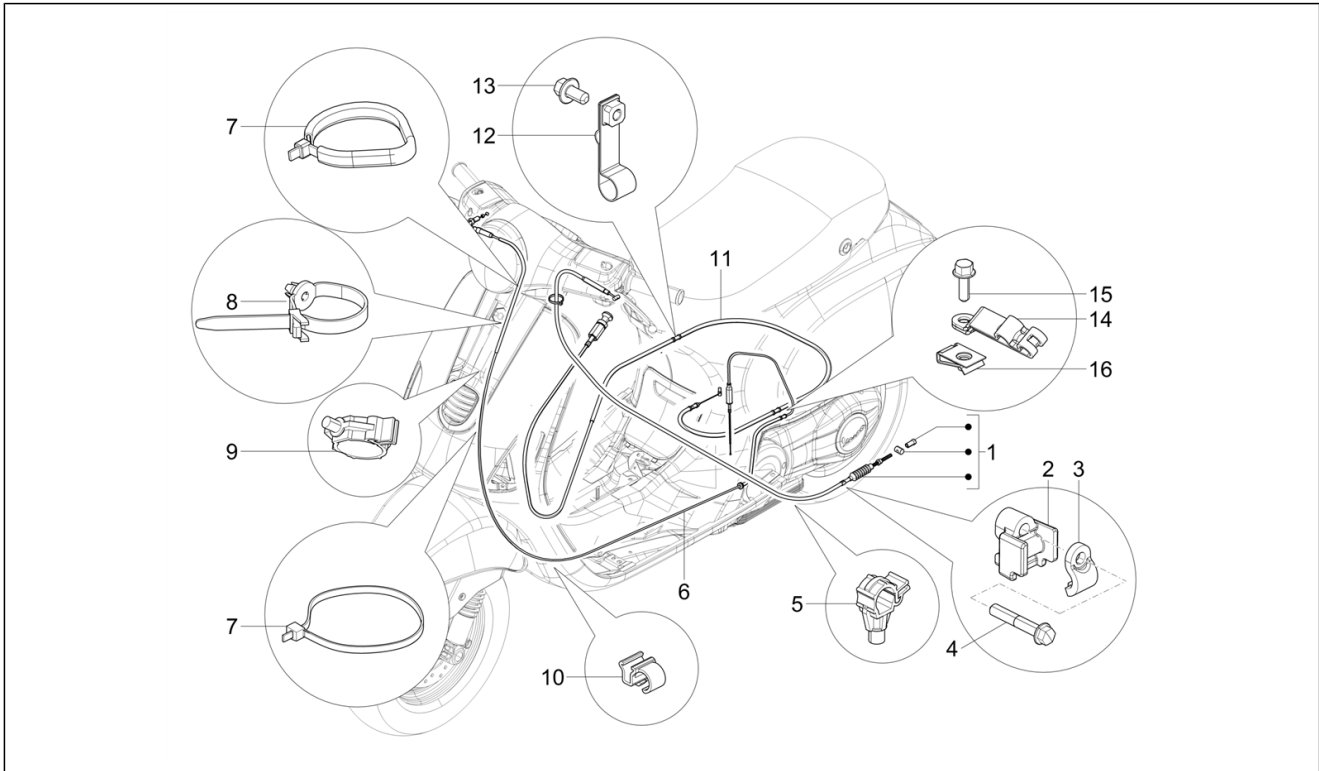
Pos.	Code	Description	Qty	Variants
4	668068	Flanged nut	1	
5	1C000523	Cover	1	

Group	Braking system - Transmissions
Code	05.01
Description	Brakes pipes - Calipers
Service	1



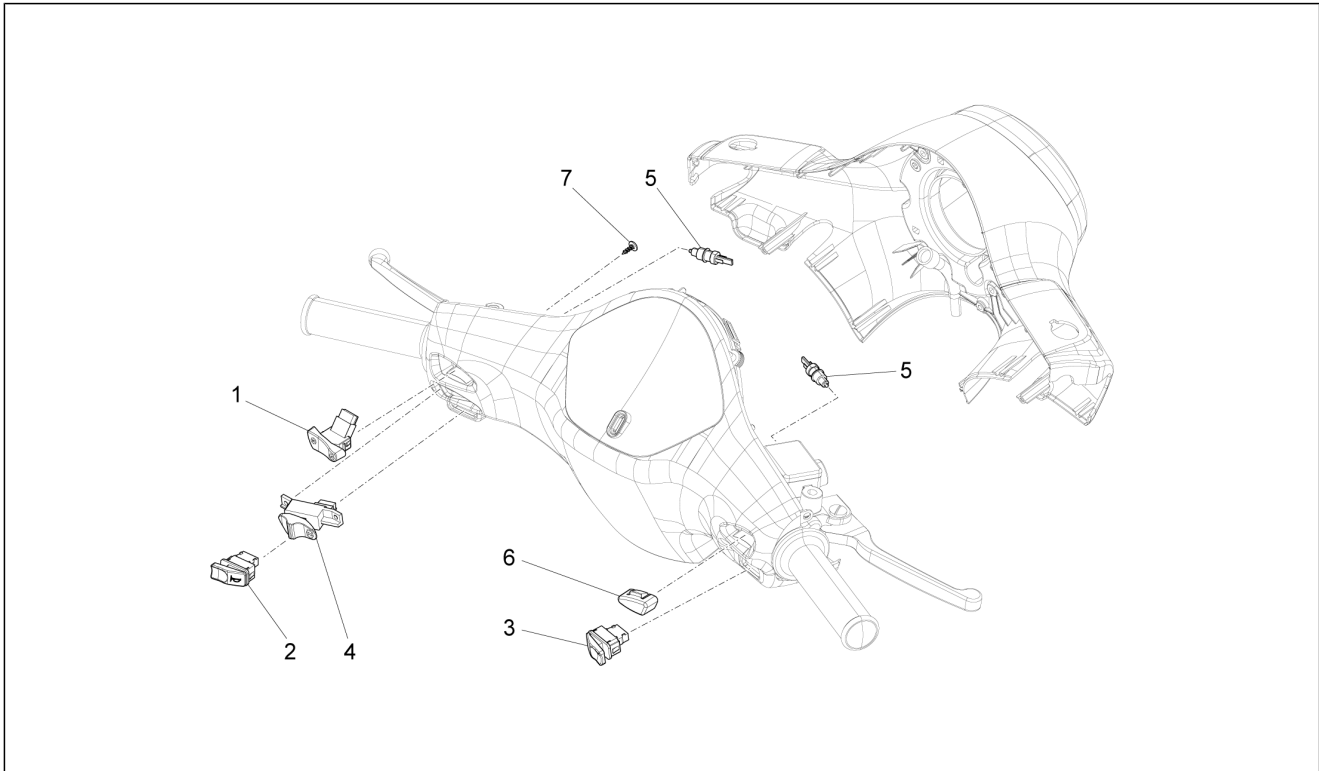
Pos.	Code	Description	Qty	Variants
1	1C003308R	Brake caliper	1	
2	SP1C000955	Brake pads couple	1	
3	597150	screw	2	
4	016604	Washer	1	
5	709047	Spring washer	2	
6	1C001746	Front brake hydraulic piping	1	
7	127927	Gasket	4	
8	265451	Oil pipe screw M10x18	2	

Group	Braking system - Transmissions
Code	05.03
Description	Transmissions
Service	1



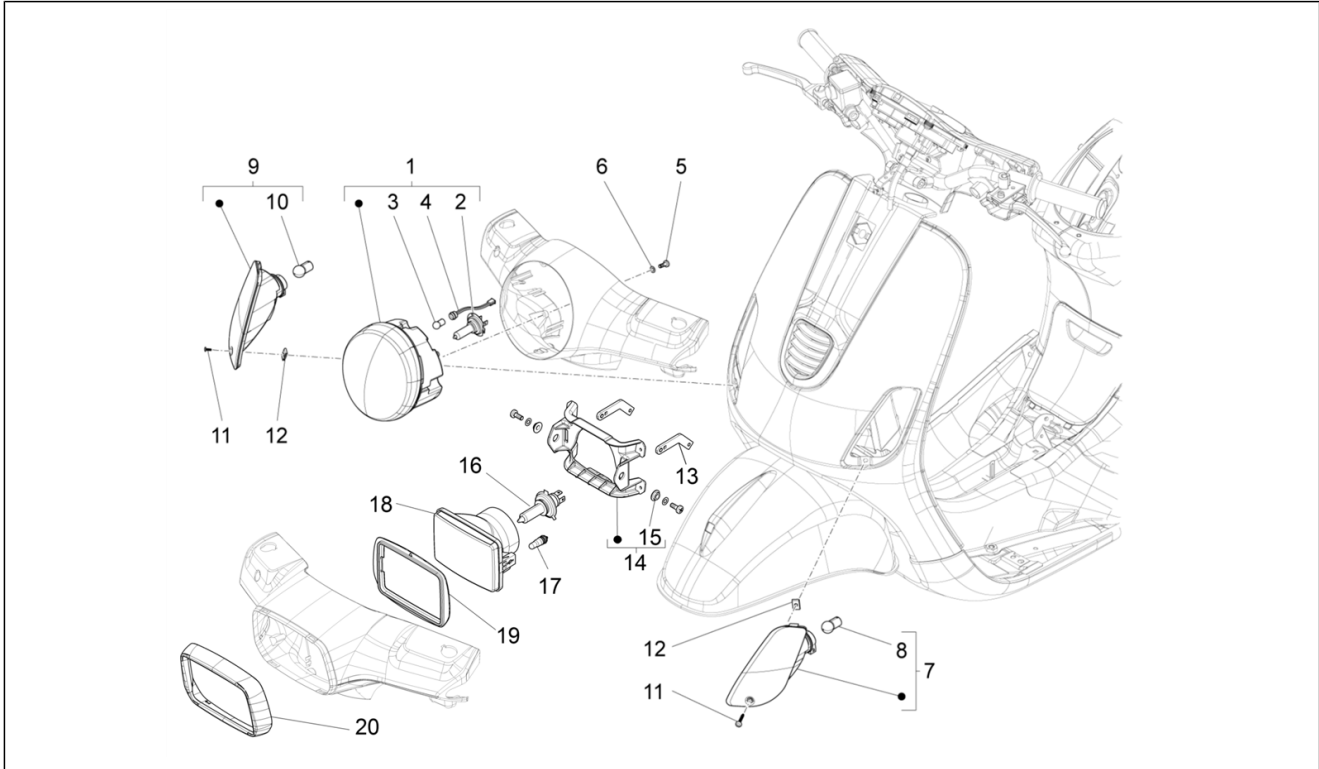
Pos.	Code	Description	Qty	Variants
1	1C003277	Rear brake lever complete transmission	1	
2	1C001642	Spacer	1	
3	564645	Plate	1	
4	B016625	Screw w/ flange M6x35	1	
5	CM006913	Pipes/cables retainer spring	1	
6	669260	Gas lever transmission	1	
7	257134	Lock-strap L=277	2	
8	298729	Hose clamp	1	
9	CM006903	Pipes/cables retainer spring	1	
10	CM013203	Sheet edge spring	1	
11	B017713	Choke transmiss.	1	
12	667824	Strap	1	
13	B016426	Screw w/ flange M6x14	1	
14	667823	Strap	1	
15	830061	Screw w/ flange M5x16	1	
16	248419	Spring plate M5	1	

Group	Electrical system
Code	06.01
Description	Selectors - Switches - Buttons
Service	1



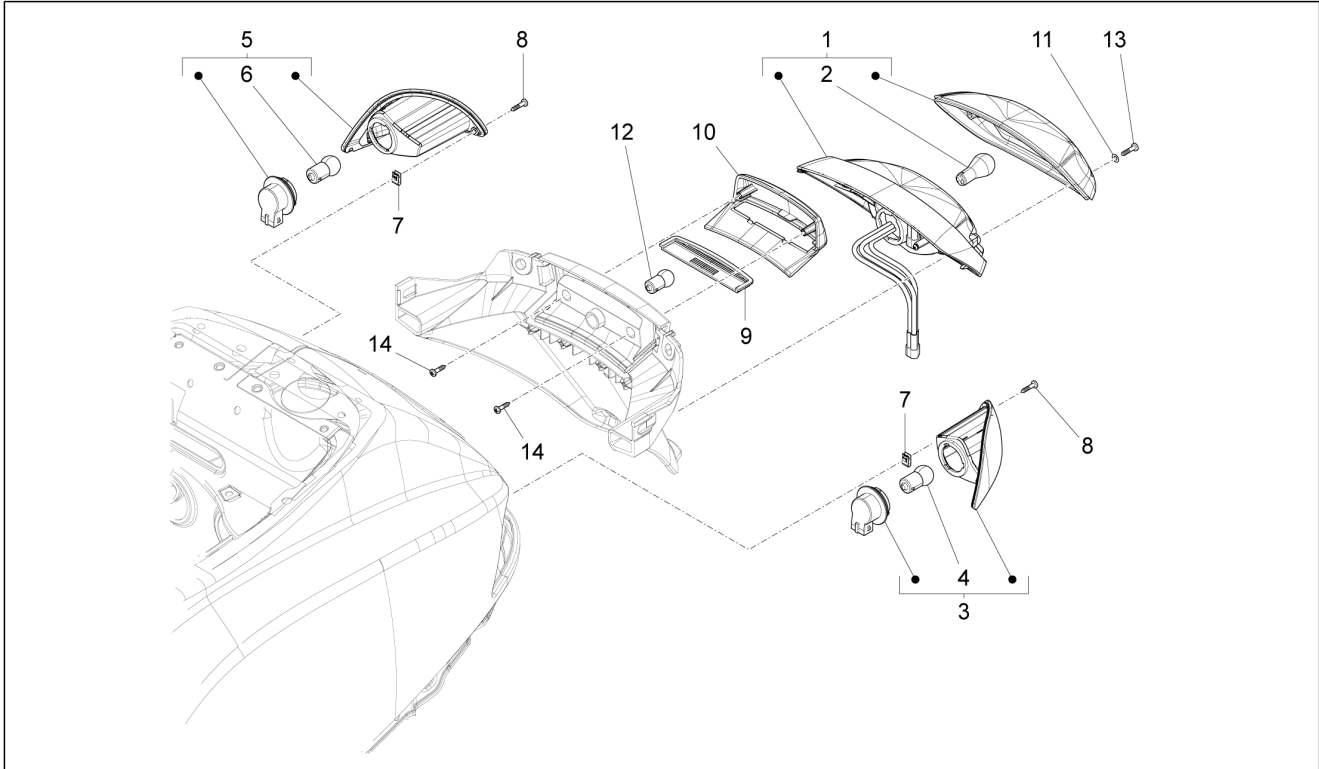
Pos.	Code	Description	Qty	Variants
1	294877	Headlight selector	1	
2	1D000185	Horn button	1	
3	641609	Starter button	1	
4	294723	Turn signal lamps switch	1	
5	640762	Button	2	
6	641859	Pulsante Mode	1	
7	297498	Self tapping screw	2	

Group	Electrical system
Code	06.03
Description	Front headlamps - Turn signal lamps
Service	1



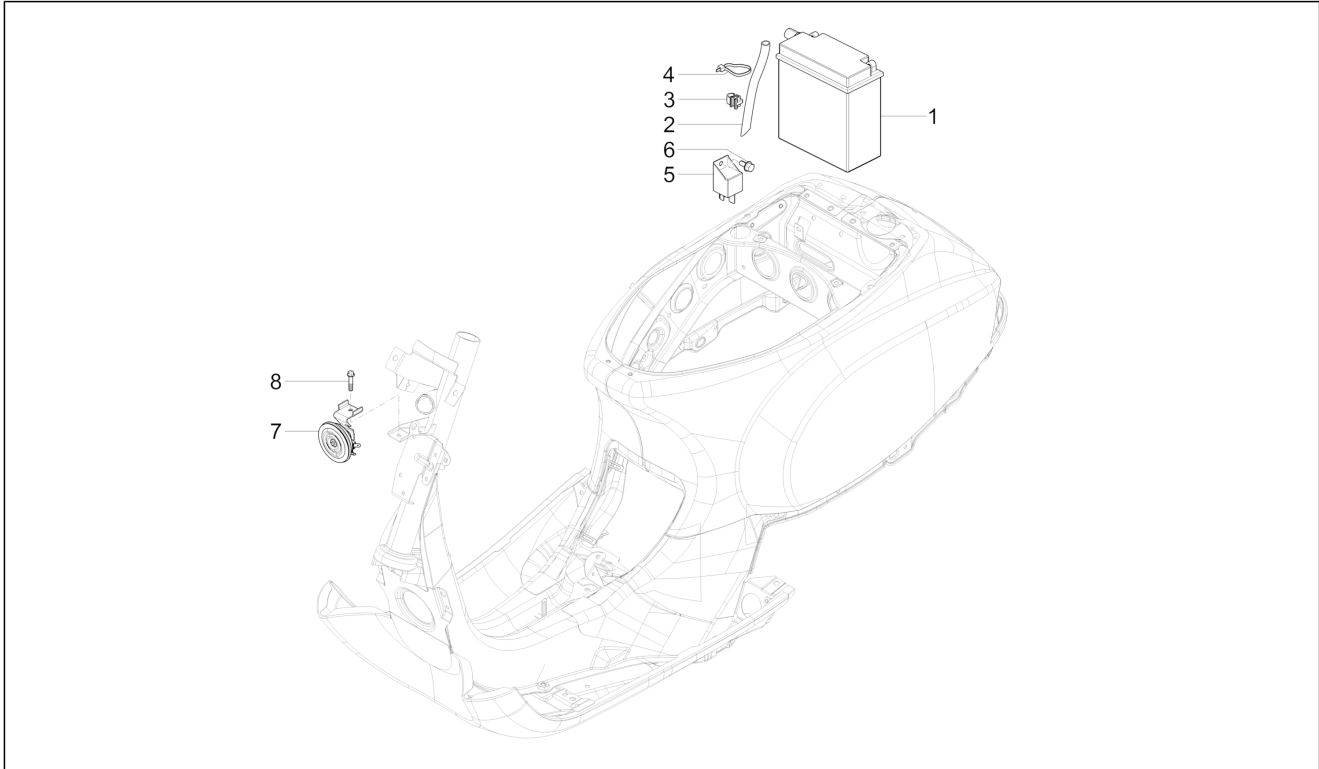
Pos.	Code	Description	Qty	Variants
1	642418	Reflector, assy.	1	
2	231215	Lamp HS1 35+35W 12V	1	
3	2920225	12V-5W bulb	1	
4	1D000517	Headlamp cable harness	1	Model version: VX Version[VX] VXL Version[VXL] SXL Version[SXL]
5	1A003109	TCCIC M5x16	4	
6	006965	Washer 5.3x10x10	4	
7	643324	Front left turn indicator	1	
8	584332	Lamp 12V-10W	1	
9	643325	Front right turn indicator	1	
10	584332	Lamp 12V-10W	1	
11	008457	Self-tap screw M4,2x19	2	
12	CM017406	Plate	2	
13	654271	Headlight support clamp	2	Model version: SXL Version[SXL]
14	654890	Complete headlight support	1	Model version: SXL Version[SXL]
15	654301	Headlight spacer	2	Model version: SXL Version[SXL]
16	231215	Lamp HS1 35+35W 12V	1	Model version: SXL Version[SXL]
17	2920225	12V-5W bulb	1	Model version: SXL Version[SXL]
18	1D001812	Complete front headlight	1	Model version: SXL Version[SXL]
19	654876	Gasket	1	Model version: SXL Version[SXL]
20	654265	Headlight frame	1	Model version: SXL Version[SXL]

Group	Electrical system
Code	06.04
Description	Rear headlamps - Turn signal lamps
Service	1



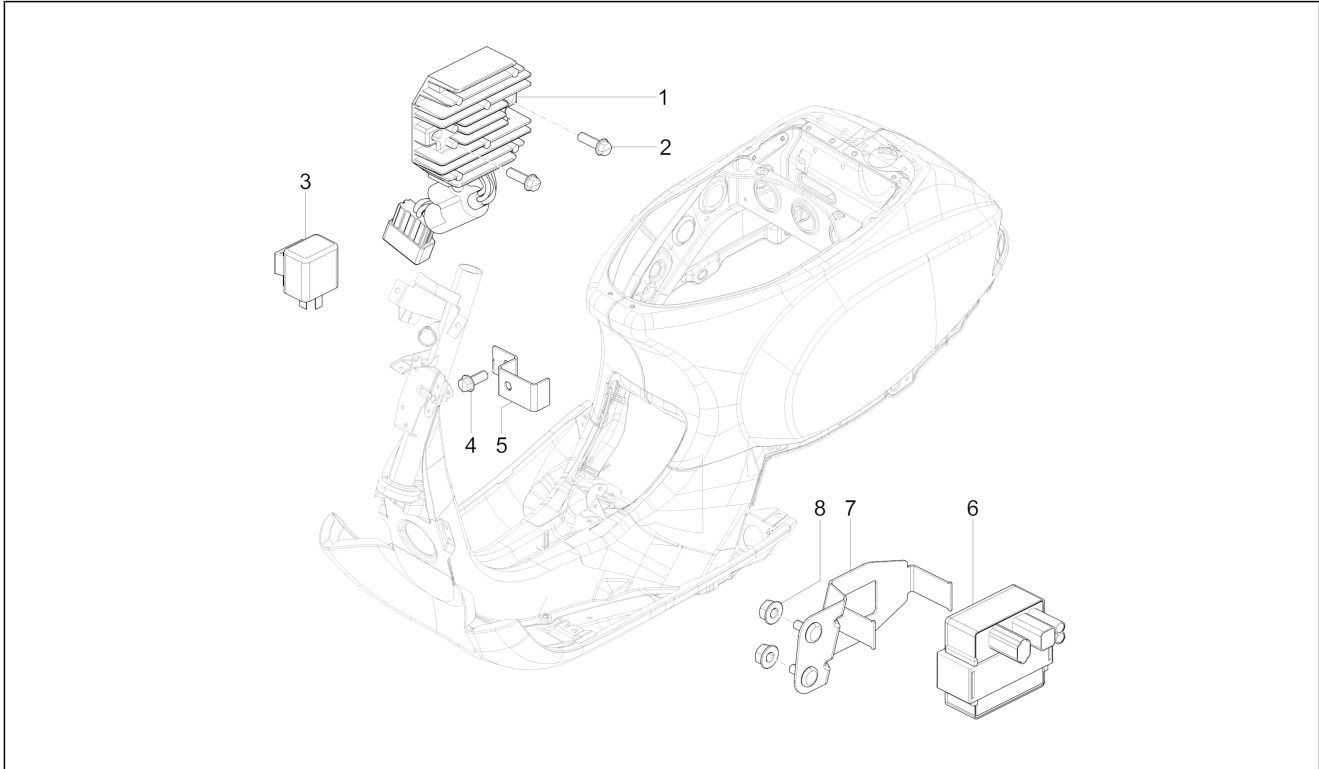
Pos.	Code	Description	Qty	Variants
1	642420	Rear light assembly	1	
1	1D000540	Rear light assembly	1	Model version: SXL Version[SXL]
2	643323	Lamp Bulbo	1	
3	643326	Left rear turn indicator	1	
4	584332	Lamp 12V-10W	1	
5	643327	Right rear turn indicator	1	
6	584332	Lamp 12V-10W	1	
7	CM017405	Spring plate	2	
8	008372	Screw d3,5x13	2	
9	639335	License plate light glass	1	
10	673853	License plate light cover	1	
11	006965	Washer 5.3x10x10	2	
12	292022	Lamp 12V-5W	1	
13	018591	screw M4x14	2	
14	008372	Screw d3,5x13	2	

Group	Electrical system
Code	06.05
Description	Remote control switches - Battery - Horn
Service	1



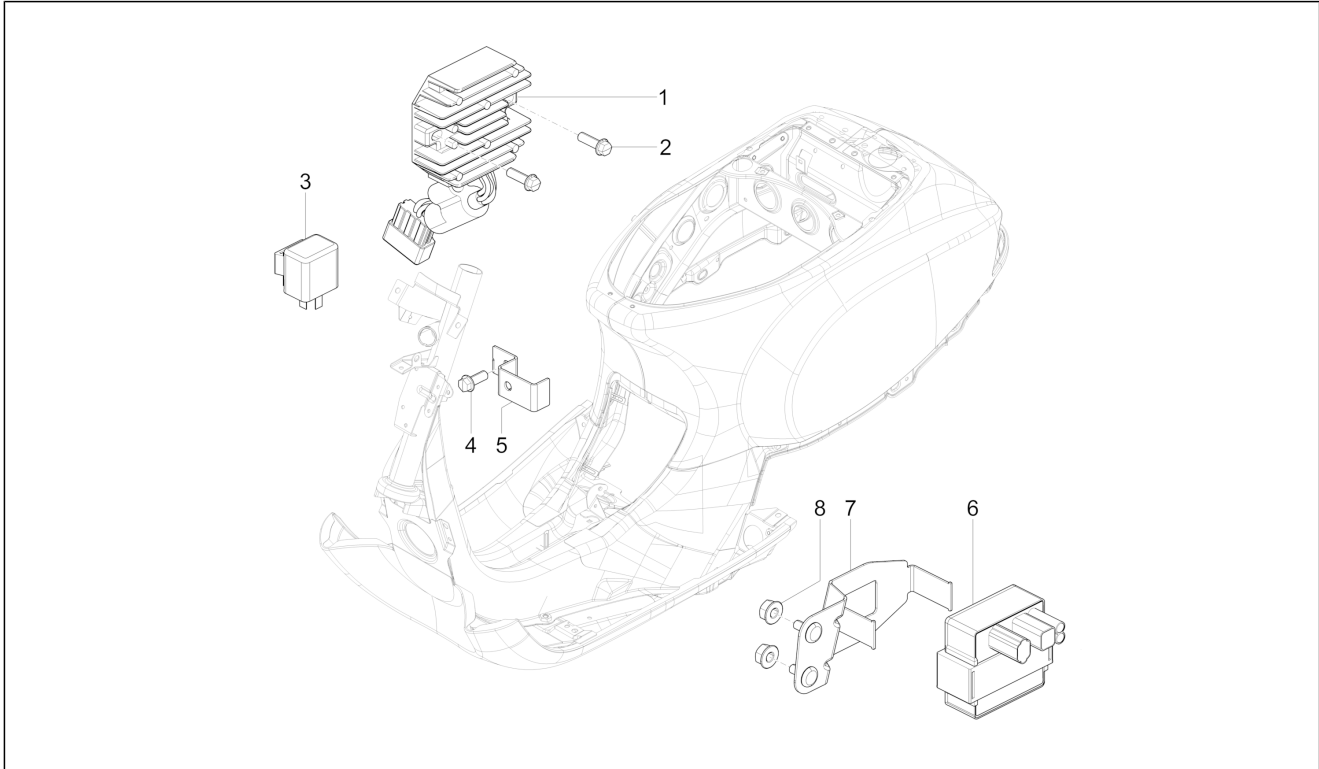
Pos.	Code	Description	Qty	Variants
1	1D002421	Battery 12V-5 Ah	1	Colour: Azzurro provenza[296/A] Model version: VXL Version[VXL] Colour: Azzurro provenza[296/A] Model version: VXL Version[VXL] Colour: DRAGON RED[894] Model version: VXL Version[VXL] Colour: Yellow lime[928/A] Model version: VXL Version[VXL] Colour: White Tech 505/A[505/A] Model version: VXL Version[VXL] Colour: Beige[514/A] Model version: VXL Version[VXL] Colour: BLACK[85/B] Model version: VXL Version[VXL] Colour: Grey[700/C] Model version: VXL Version[VXL] Colour: White Tech 505/A[505/A] Model version: VXL Version[VXL]
1	642424	Battery 12V-5 Ah	1	
2	675385	Battery drain pipe	1	
3	CM013203	Sheet edge spring	1	
4	145298	Lock-strap L=180mm	1	
5	58293R	Starter relay 12V	1	
6	B016426	Screw w/ flange M6x14	1	
7	58243R	Horn 12v cc	1	
8	B016777	Screw w/ flange M6x16	1	

Group	Electrical system
Code	06.06
Description	Voltage Regulators - Electronic Control Units (ecu) - H.T. Coil
Service	1



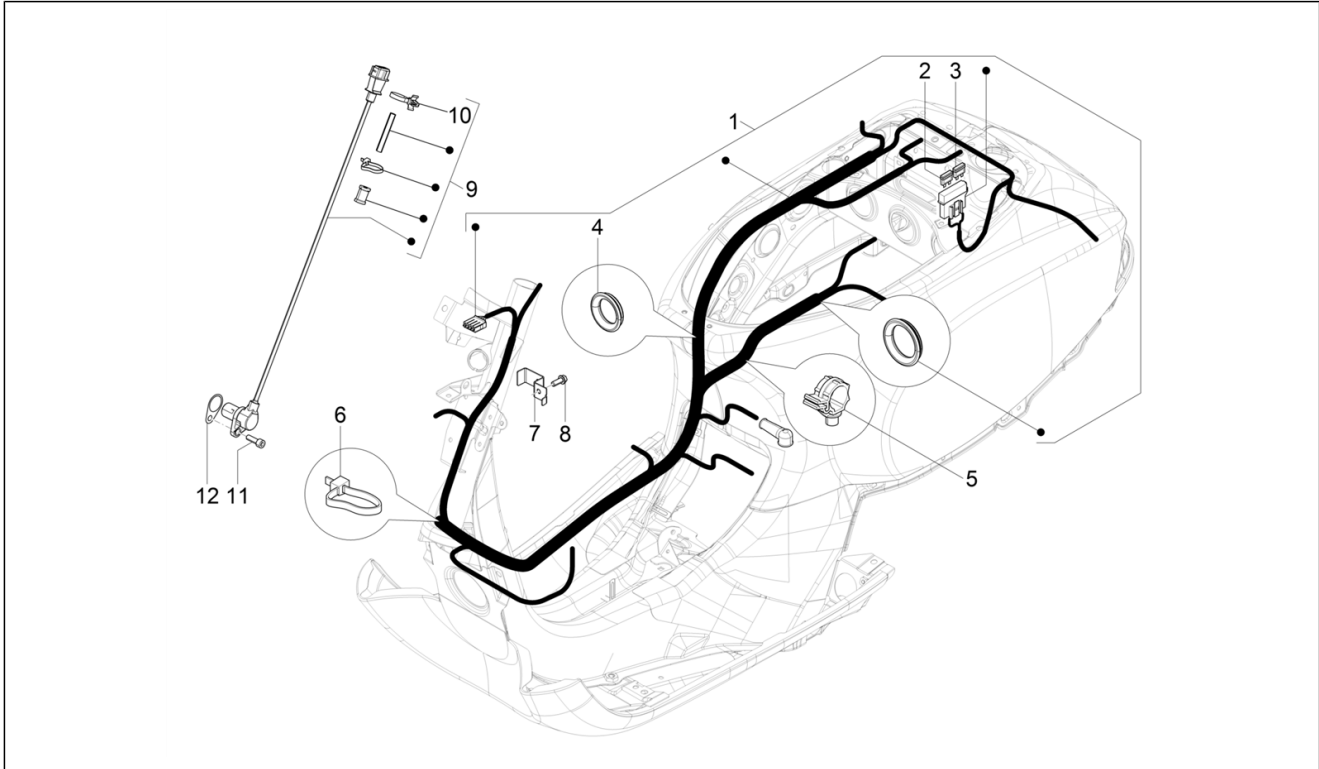
Pos.	Code	Description	Qty	Variants
1	1A0107805	Voltage regulator	1	
1	1A012973R	Voltage regulator	1	Colour: Grey[700/C] Model version: VXL Version[VXL] Colour: Yellow lime[928/A] Model version: VXL Version[VXL] Colour: Azzurro provenza[296/A] Model version: VXL Version[VXL] Colour: Azzurro provenza[296/A] Model version: VXL Version[VXL] Colour: DRAGON RED[894] Model version: VXL Version[VXL] Colour: Yellow lime[928/A] Model version: VXL Version[VXL] Colour: White Tech 505/A[505/A] Model version: VXL Version[VXL] Colour: Beige[514/A] Model version: VXL Version[VXL] Colour: Rosso 801/B[801/B] Model version: SXL Version[SXL] Colour: BLACK[85/B] Model version: SXL Version[SXL] Colour: White Tech 505/A[505/A] Model version: SXL Version[SXL] Colour: BLACK[85/B] Model version: VXL Version[VXL] Colour: DRAGON RED[894] Model version: VXL Version[VXL] Colour: BLACK[85/B] Model version: VXL Version[VXL] Colour: White Tech 505/A[505/A] Model version: VXL Version[VXL] Colour: Blue 277/A[277/A] Model version: SXL Version[SXL] Colour: Orange 938/A[938/A] Model version: SXL Version[SXL] Colour: Giallo 980/A[980/A] Model version: SXL Version[SXL]

Group	Electrical system
Code	06.06
Description	Voltage Regulators - Electronic Control Units (ecu) - H.T. Coil
Service	1



Pos.	Code	Description	Qty	Variants
				Colour:Grey[700/C] Model version:VXL Version[VXL] Colour:White Tech 505/A[505/A] Model version:VXL Version[VXL]
1	1A016315R	Voltage regulator	1	
2	018639	Hex screw M6x20	2	
3	1D000187	Turn indicator control compl.	1	
4	B016777	Screw w/ flange M6x16	0	
5	1D001275	Connector support bracket	1	
6	58250R	Electronic ignition unit	1	
7	674648	Control unit sup. bracket	1	
8	241936	Self locking nut M6	2	

Group	Electrical system
Code	06.08
Description	Main cable harness
Service	1



Pos.	Code	Description	Qty	Variants
1	1D002173	Chassis wire unit	1	
1	1D002595	Cable harness	1	Colour: Azzurro provenza[296/A] Model version: VXL Version[VXL] Colour: Beige[514/A] Model version: VXL Version[VXL] Colour: White Tech 505/A[505/A] Model version: VXL Version[VXL]
2	292507	Reed fuse 10A	1	
3	290860	Fuse 15A	1	
4	294754	Fairlead	1	
5	CM006905	Non return spring L=12	1	
6	145298	Lock-strap L=180mm	8	
7	1D001275	Connector support bracket	1	
8	B016777	Screw w/ flange M6x16	1	
9	1D000074	Speed sensor	1	
10	640879	Hose clamp 2,7x132	1	
11	709674	Hex socket screw M6x20	1	
12	668780	Flat washer	1	